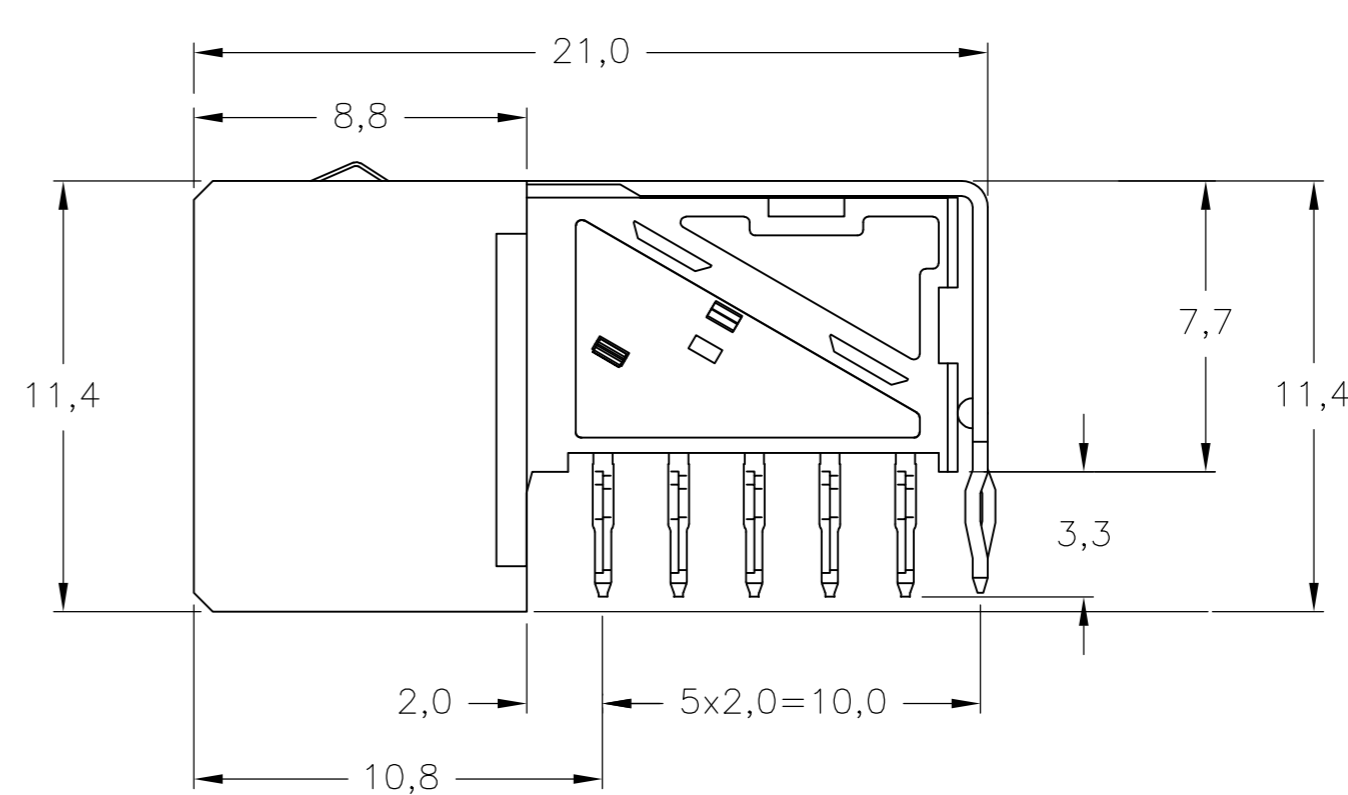
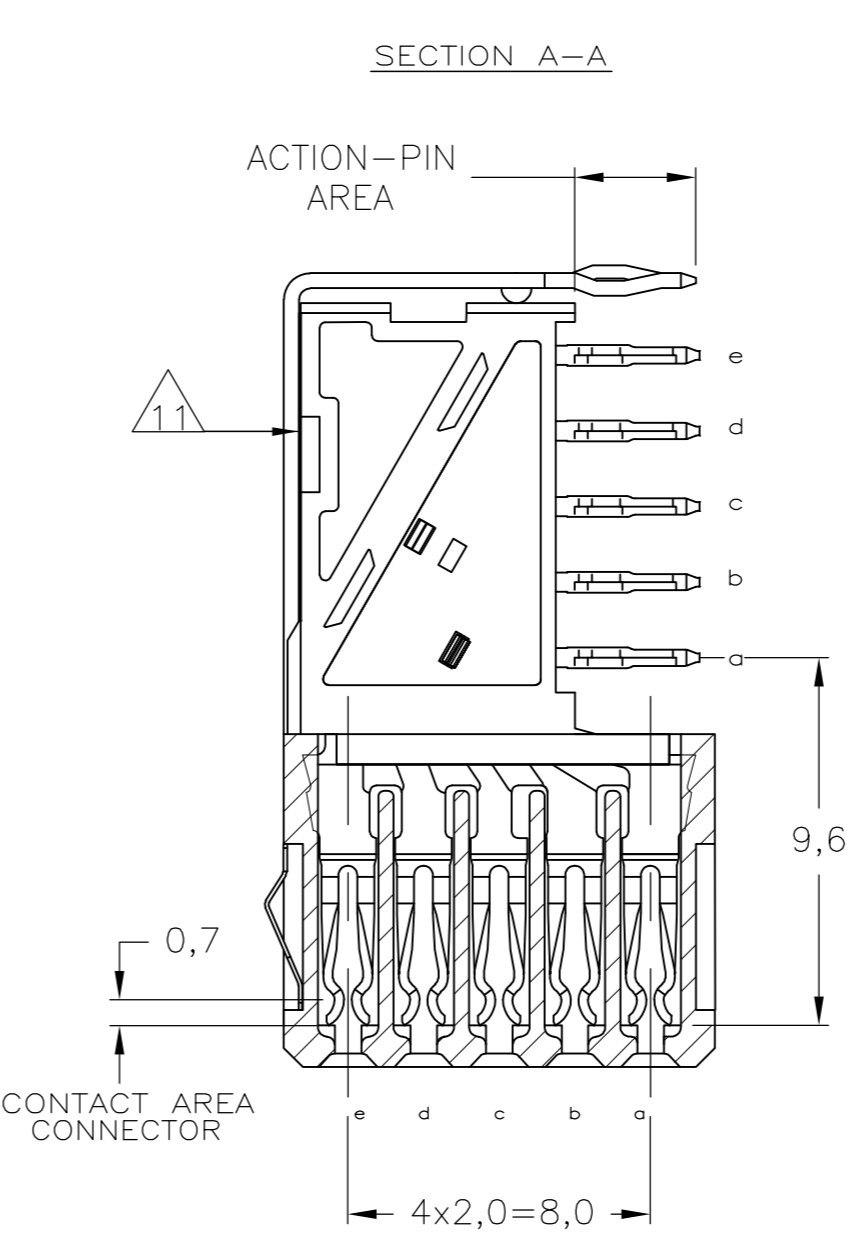
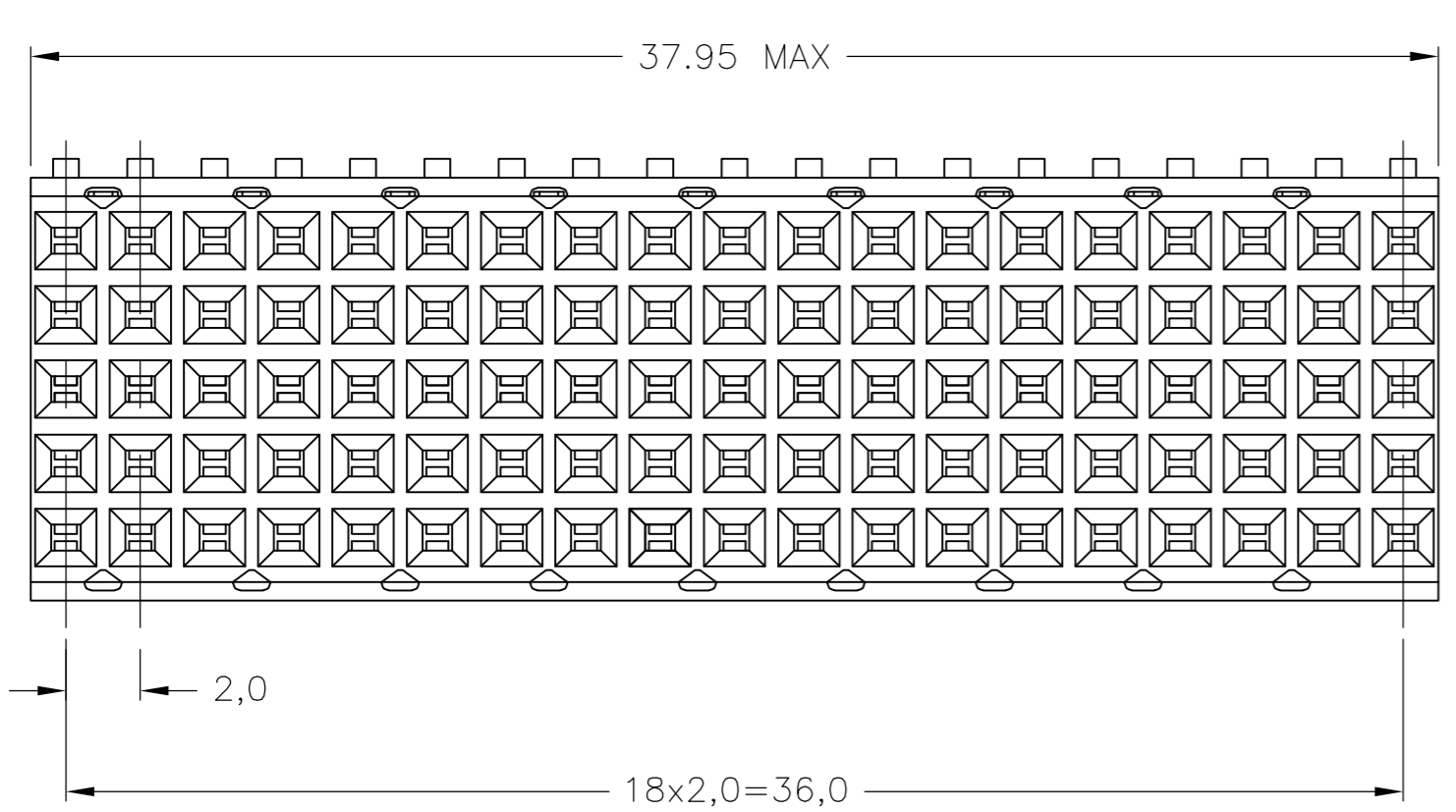
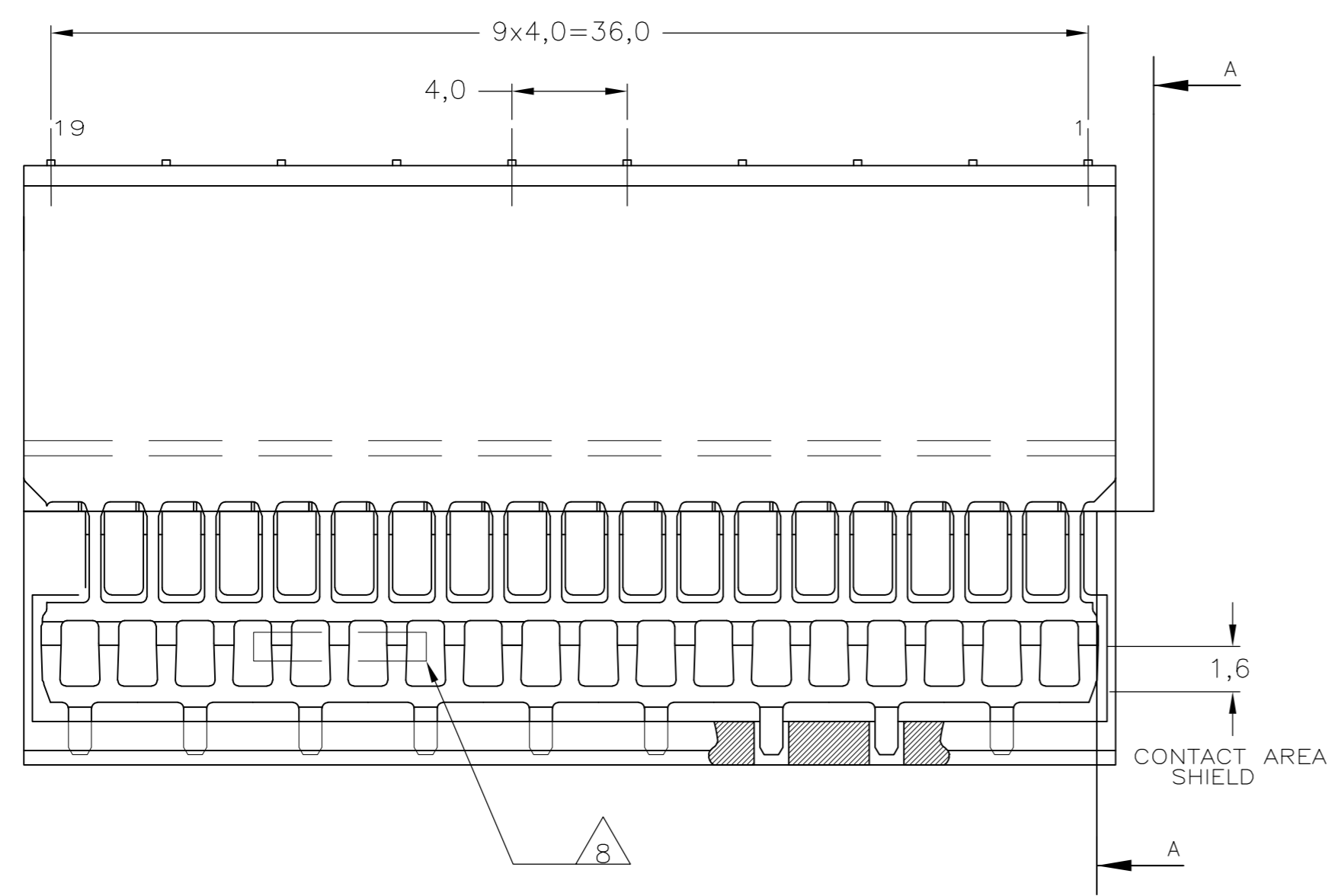


THIS DRAWING IS UNPUBLISHED. RELEASED FOR PUBLICATION  
 © COPYRIGHT - By - ALL RIGHTS RESERVED.

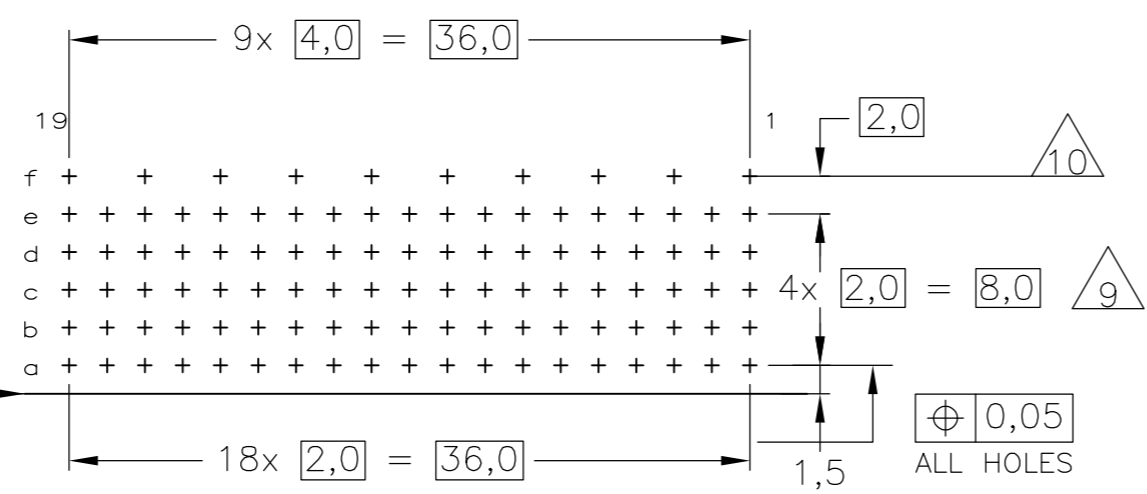
REVISIONS					
P	LTR	DESCRIPTION	DATE	DWN	APVD
F		REVISED PER ECR-16-013298	02JUN2017	FL	SY



NOTES:

- △ MATERIAL CONTACTS; PHOSPHORBRONZE
- △ MATERIAL HOUSING; GLASSFILLED POLYESTER (GRAY)
- △ GENERAL PLATING SPECIFICATION: UNDERPLATING (ENTIRE CONTACT): 1,27µm NICKEL MIN. AND ACTION PIN: 0,5µm TIN MIN. FOR PLATING OF MATING SURFACES SEE APPLICABLE SPECIFICATION REFERENCE FOR EACH DASH NUMBER.
- △ CONFORMS TO ALL TESTING ACCORDING IEC 61076-4-101 PERFORMANCE LEVEL 2.
- △ CONFORMS TO ALL TESTING ACCORDING IEC 61076-4-101 PERFORMANCE LEVEL 1.
- △ CONNECTOR TESTED AND QUALIFIED AGAINST TELCORDIA GR-1217-CORE QUALITY LEVEL III, CENTRAL OFFICE APPLICATIONS.
- △ CONNECTOR LUBRICATED WITH TELCORDIA GR-1217-CORE APPROVED LUBRICANT.
- △ ASSEMBLY PRINTED WITH P/N AND DATECODE
- △ THE MARKING CAN APPEAR ON THE FRONT SIDE OR BACK SIDE.
- △ HOLE PATTERN FOR FEMALE CONNECTOR TYPE B-19 COLUMNS
- △ 95 PLATED-THROUGH HOLES AT 2x2mm SQUARE GRID
- △ ROW "f" 10 PLATED THROUGH HOLES FOR UPERSHIELD
- △ SHIELD MOUNTED ON CONNECTOR WITH DOUBLE SIDED ADHESIVE TAPE OR ADHESIVE
- 12 BASIC P.N. LOWERSHIELD : 5352029.
- △ 0.76mm MIN GOLD PLATING AT MATING SURFACE

COMPONENT SIDE AS SHOWN  
 RECOMMENDED PCB-HOLE LAY-OUT  
 SCALE 2,5:1



P.C.B. HOLE DIM. ACTION PIN  
 FOR DETAILS SEE  
 APPLICATION SPECIFICATION

EDGE OF P.C.BOARD

OBSOLETE	△ 2 △ 3 △ 13	△	3-5352171-0
	△ 2 △ 5 △ 6	△	5352171-9
	△ 2 △ 4	△	5352171-4
	△ 2 △ 3	△	5352171-1
	FINISH	MATERIAL	PARTNUMBER

THIS DRAWING IS A CONTROLLED DOCUMENT.		DWN	21AUG2004	 TE Connectivity	Z-PACK 2mm HM TYPE B - 19 COLUMNS PRE-SHIELDED RECEPTACLE
DIMENSIONS: mm		CHK	27OCT2004		
TOLERANCES UNLESS OTHERWISE SPECIFIED: ±0.2		APVD	27OCT2004		
0-PLG ± ± 1-PLG ± ± 2-PLG ± ± 3-PLG ± ± 4-PLG ± ± ANGLES ± ± FINISH		NAME			
MATERIAL		PRODUCT SPEC	108-19082	SIZE	A2
		APPLICATION SPEC	114-19029	CAGE CODE	00779
		WEIGHT	0.000000	DRAWING NO	C=5352171
		CUSTOMER DRAWING		RESTRICTED TO	-
		SCALE	5:1	SHEET	1 of 1
		REV	F		