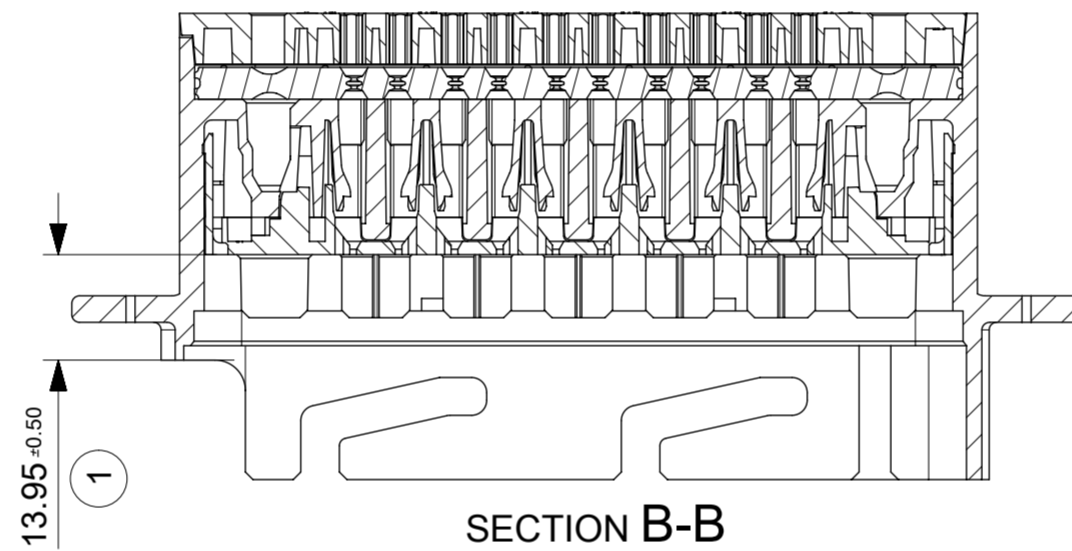
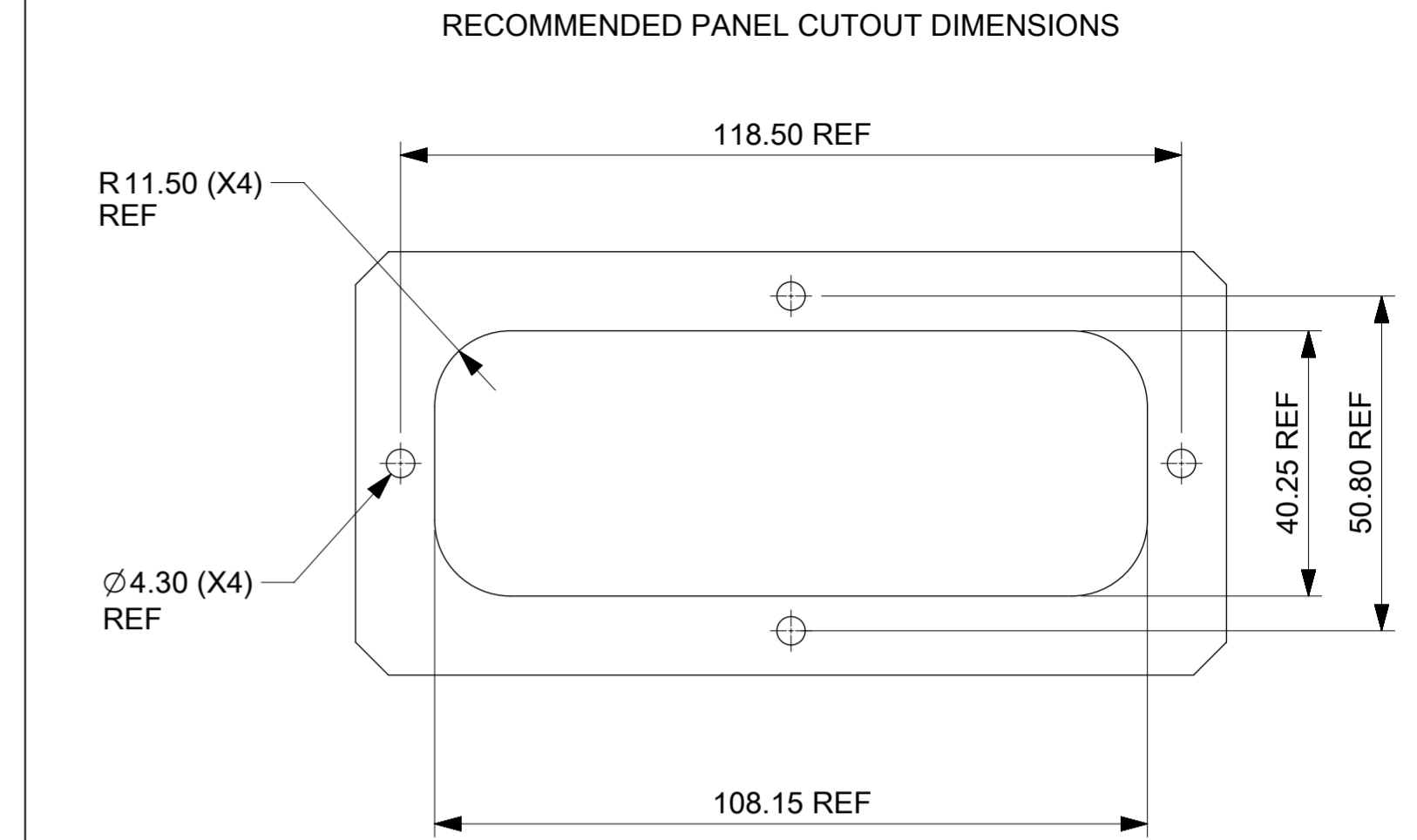
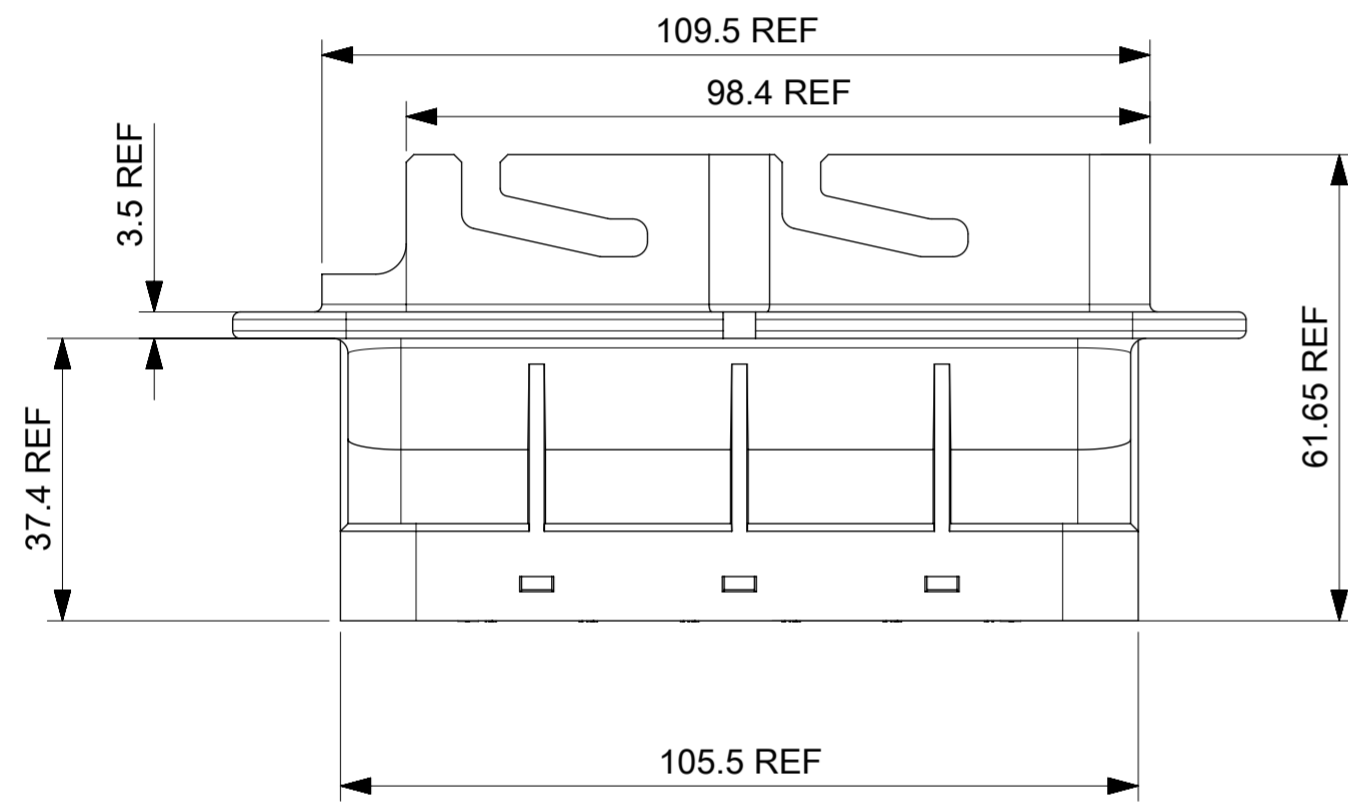


SECTION A-A

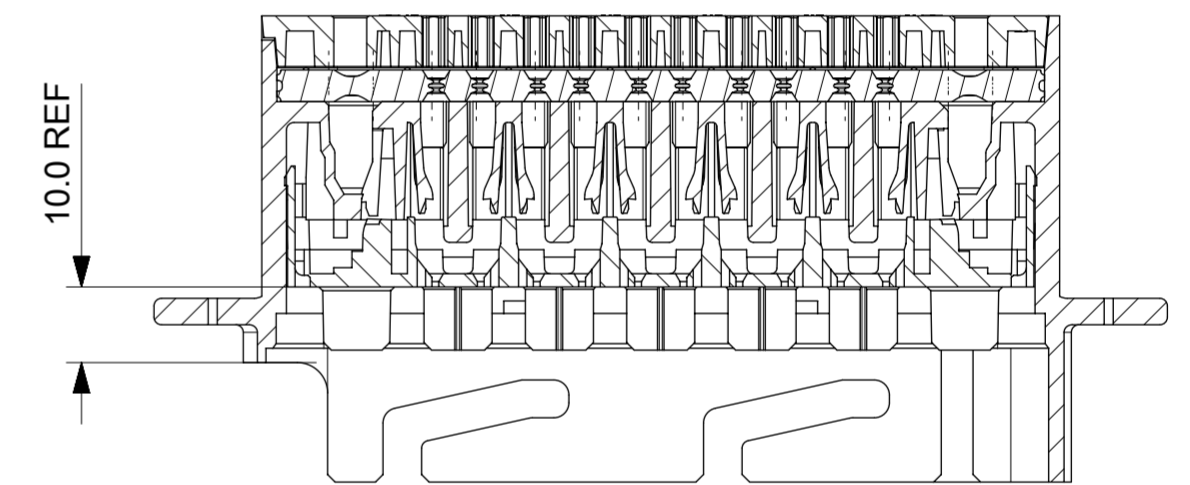
TPA IN CLOSED (AS SHIPPED) POSITION



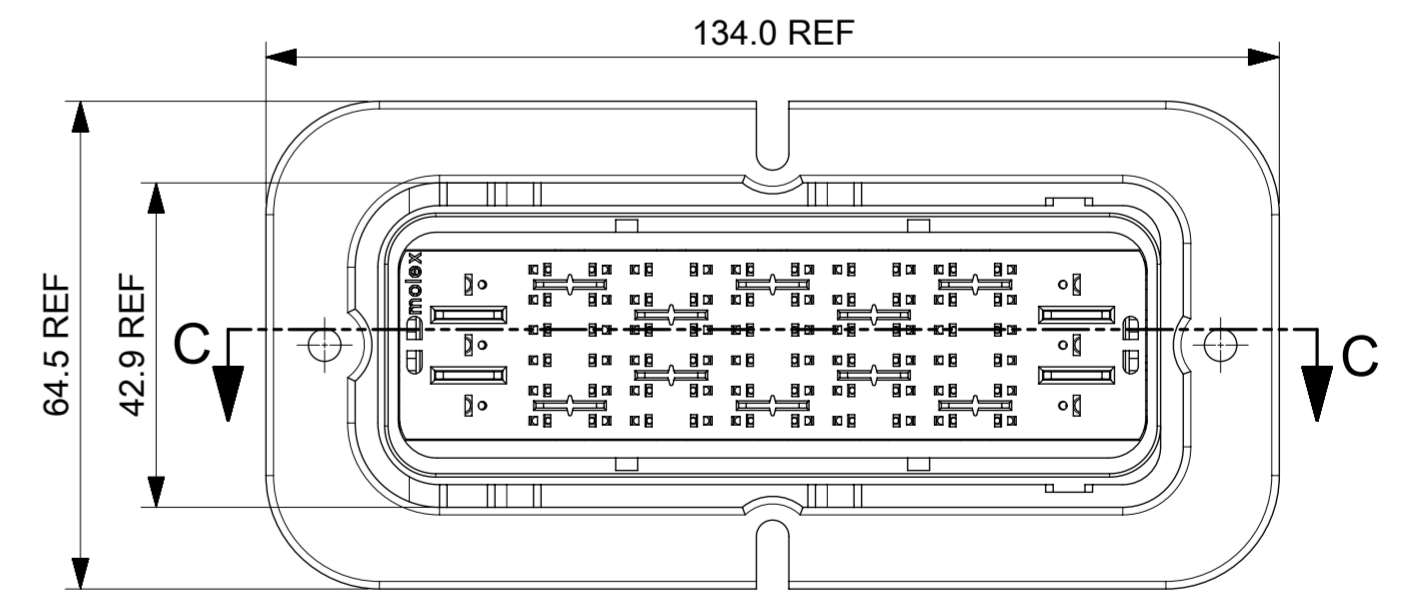
SECTION B-B



TPA IN PRE-LOAD POSITION



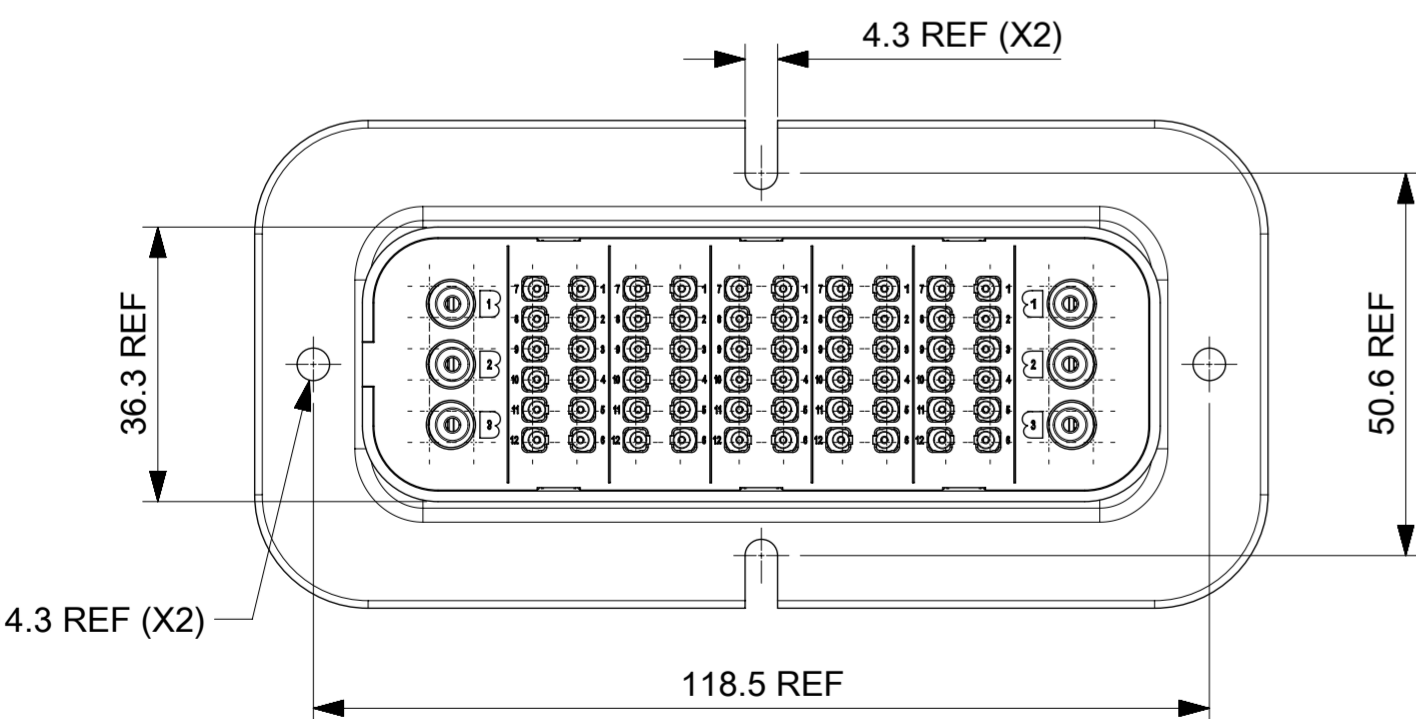
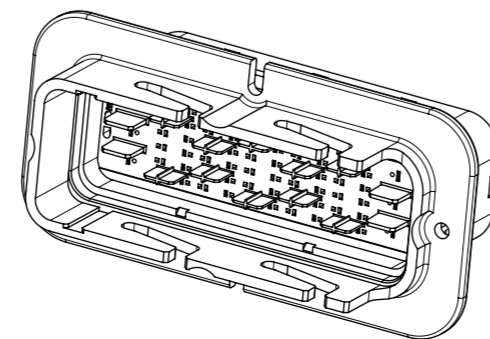
SECTION C-C



NOTES:

- MATERIALS:  
HOUSINGS: SPS/NYLON BLEND, GLASS FILLED, UL 94 HB  
SEAL: SILICONE RUBBER
- MX150 BLADE TERMINALS PER SD-33000-001 TO BE USED WITH THIS ASSEMBLY IN CAVITIES B, C, D, E & F, CRIMPED WITH CABLE INSULATION OUTER DIAMETER IN THE RANGE 1.5mm TO 2.7mm
- MX150L BLADE TERMINALS PER SD-19431-00\* TO BE USED WITH THIS ASSEMBLY IN CAVITIES A & G, CRIMPED WITH CABLE INSULATION OUTER DIAMETER IN THE RANGE 3.0mm TO 5.0mm
- PRODUCT SPECIFICATION: 850830010 PSP
- PACKAGING SPECIFICATION: 850710010 PSK
- MATES WITH: SRC 60+6AG POWER RECEPTACLE HOUSING ASSEMBLY PART NUMBER 850840700 PER 850840700 PSD
- APPLICATION SPECIFICATION: 850830010 PSA
- FLANGE GASKET OPTION: REFER TO 850710017 PSD

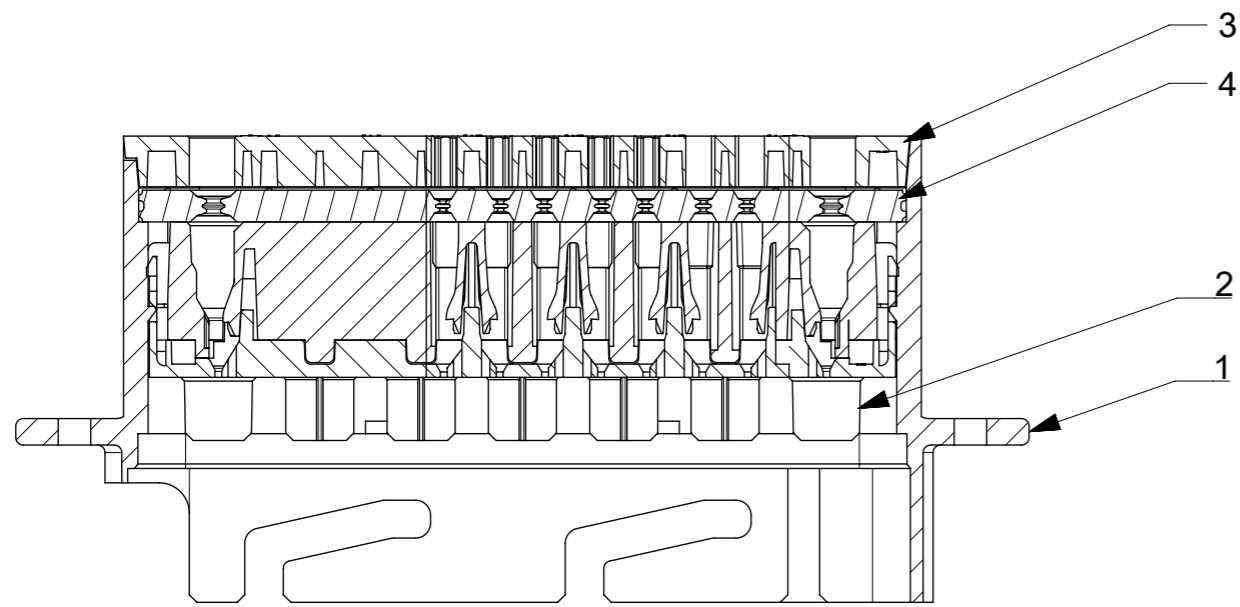
INSPECTION NUMBERS RESERVED FOR SHEET 1: 1-50  
LAST INSPECTION NUMBER USED: 1



No.	DESCRIPTION	QTY.	COLOUR
4	MALE BACK SEAL	1	RUST RED
3	MALE REAR COVER	1	BLACK
2	MALE FRONT COVER (TPA)	1	GREEN
1	MALE HOUSING	1	BLACK

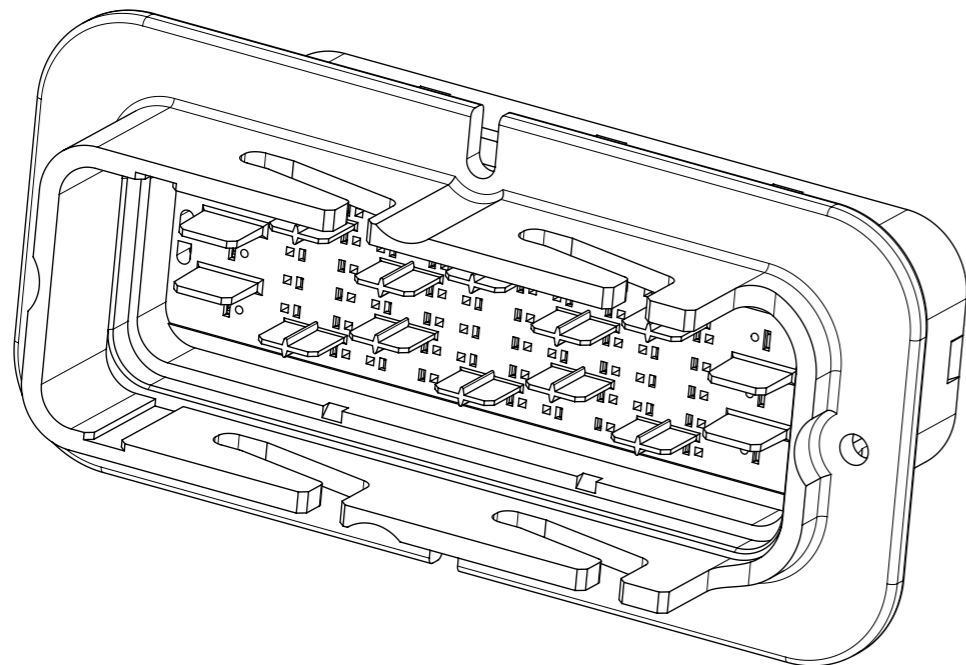
BILL OF MATERIAL

QUALITY SYMBOLS				THIS DRAWING CONTAINS INFORMATION THAT IS PROPRIETARY TO MOLEX ELECTRONIC TECHNOLOGIES, LLC AND SHOULD NOT BE USED WITHOUT WRITTEN PERMISSION			
▽ = 0	▽ = 0	▽ = 0	▽ = 0	▽ = 0	▽ = 0	▽ = 0	▽ = 0
REPLACE SD-85083-300		2016/01/21		2016/01/22		2016/01/26	
EC NO: 102579		DRWN: AJOBRIEN		CHKD: SMCGREEVY		APP: JDWALLACE	
A		REV		APP		JDWALLACE	
GENERAL TOLERANCES (UNLESS SPECIFIED)				DIMENSION UNITS		SCALE	
ANGULAR TOL ± 0.5 °				MM		1:1	
4 PLACES ±		3 PLACES ±		2 PLACES ± 0.2		1 PLACE ± 0.5	
0 PLACES ±		DRAFT WHERE APPLICABLE MUST REMAIN WITHIN DIMENSIONS		A2		THIRD ANGLE PROJECTION	
DRWN BY		DATE		SERIES		MATERIAL NUMBER	
AJOBRIEN		2016/01/21		85083		SEE NOTES	
CHK'D BY		DATE		CUSTOMER		GENERAL MARKET	
SMCGREEVY		2016/01/22		850830300		PSD 000	
APPR BY		DATE		DOC PART		SHEET NUMBER	
JDWALLACE		2016/01/26		000		1 OF 2	



SECTION M-M

4	MALE BACK SEAL	1	RUST RED
3	MALE REAR COVER	1	BLACK
2	MALE FRONT COVER (TPA)	1	GREEN
1	MALE HOUSING	1	BLACK
No.	DESCRIPTION	QTY.	COLOUR
BILL OF MATERIAL			

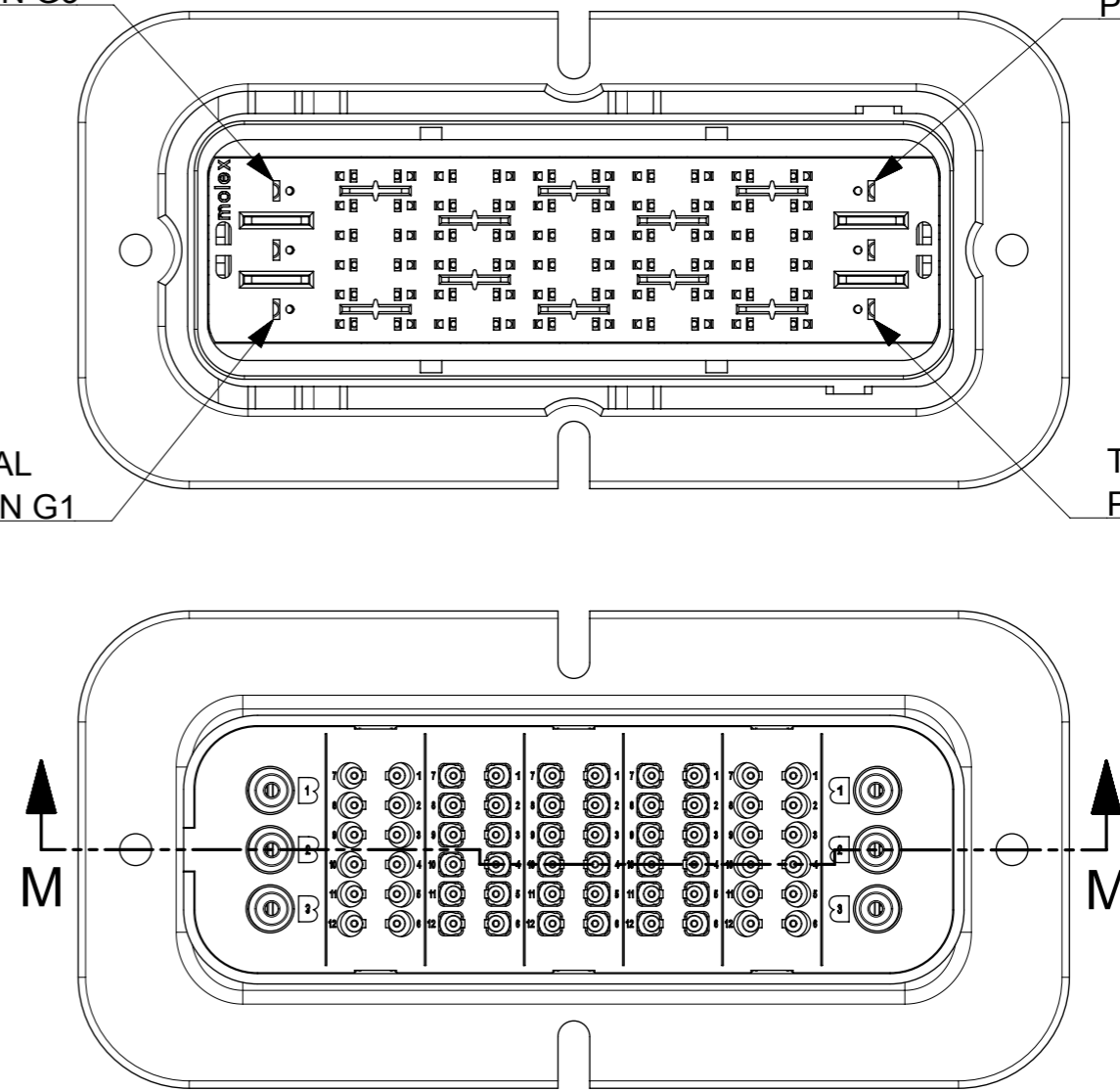


TERMINAL POSITION G3

TERMINAL POSITION A3

TERMINAL POSITION G1

TERMINAL POSITION A1



NOTES:

1. REFERENCE SHEET 1 FOR UNSPECIFIED NOTES AND DIMENSIONS
2. MX150 BLADE TERMINALS PER SD-33000-001 TO BE USED WITH THIS ASSEMBLY IN CAVITIES C, D AND E, CRIMPED WITH CABLE INSULATION OUTER DIAMETER IN THE RANGE 1.5mm TO 2.7mm
3. SRC BLADE TERMINALS PER 936420010 PSD MAY BE USED WITH THIS ASSEMBLY IN CAVITIES B AND F, CRIMPED WITH 2.5mm<sup>2</sup> (13AWG) CABLE INSULATION OUTER DIAMETER IN THE RANGE 2.7mm TO 3.0mm
4. MX150L BLADE TERMINALS PER SD-19431-00\* TO BE USED WITH THIS ASSEMBLY IN CAVITIES A AND G, CRIMPED WITH CABLE INSULATION OUTER DIAMETER IN THE RANGE 3.0mm TO 5.0mm
5. MATES WITH: SRC 60+6AG POWER 2.5 RECEPTACLE HOUSING ASSEMBLY PART NUMBER 850846025 PER 850840700 PSD

<b>QUALITY SYMBOLS</b> ▽ = 0 ▽ = 0 ▽ = 0 ▽ = 0 ▽ = 0 ▽ = 0 ▽ = 0 ▽ = 0 ▽ = 0 ▽ = 0	THIS DRAWING CONTAINS INFORMATION THAT IS PROPRIETARY TO MOLEX ELECTRONIC TECHNOLOGIES, LLC AND SHOULD NOT BE USED WITHOUT WRITTEN PERMISSION										
	2016/01/21 2016/01/22 2016/01/26 2016/01/26	GENERAL TOLERANCES (UNLESS SPECIFIED)		DIMENSION UNITS	SCALE						
		ANGULAR TOL ± 0.5 °		MM	1:1						
		4 PLACES ±	AJOBRIEN		DATE						
		3 PLACES ±	SMCGREEVY		DATE						
		2 PLACES ± 0.2	JDWALLACE		DATE						
	1 PLACE ± 0.5	DRAFT WHERE APPLICABLE MUST REMAIN WITHIN DIMENSIONS		DRAWING SIZE	THIRD ANGLE PROJECTION	PRODUCT CUSTOMER DRAWING SERIES: 85083 MATERIAL NUMBER: SEE NOTES CUSTOMER: GENERAL MARKET					
	0 PLACES ±	A3		850830300 SEE NOTES PSD 000		SHEET NUMBER 2 OF 2					