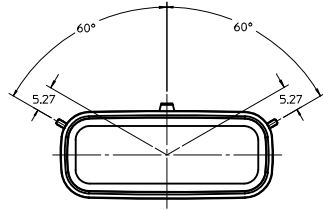
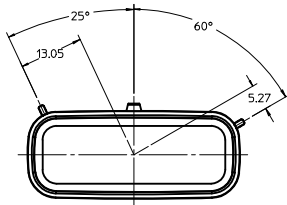


CUSTOMER SHROUD DESIGN DETAILS

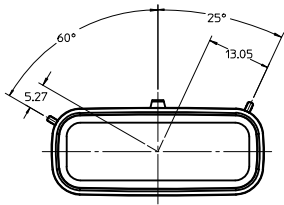
- NOTES:**
1. REFER TO MOLEX SALES DRAWING SD-75757-002 FOR THE HEADER ASSEMBLY PRODUCT DETAILS AND RECOMMENDED PCB LAYOUT.
 2. KEYING OPTIONS A-D AND SUGGESTED COLORS COMPLY TO THE POLARIZATION STANDARDS ESTABLISHED FOR MATING WITH A MX150 FEMALE CONNECTOR.
 3. INTERIOR SHROUD SURFACE MUST BE FREE OF DEFECTS AND PARTING LINES ALL AROUND TO ENSURE PROPER SEALING OF THE MATING MX150 FEMALE CONNECTOR.
 4. A FULL SHROUD ON THE MATING CONNECTOR IS REQUIRED TO INSURE THE HEADER SHROUD POLARIZATION FEATURES (OPTIONS A-D) WILL FUNCTION PROPERLY. THE FULL SHROUD ALSO PREVENTS SCOOP DAMAGE TO THE HEADER CONTACTS.
 5. PERMISSIBLE DRAFT ANGLE 0.25° MAXIMUM.
 6. RADII ON ALL CORNERS SHOWN SHARP OR ALL UNSPECIFIED RADII 0.25 EXCEPT AS NOTED.
 7. DIMENSIONS SHOWN ABOUT A CENTERLINE ARE SYMMETRICAL ABOUT THAT CENTERLINE WITHIN HALF THE SPECIFIED TOLERANCE.



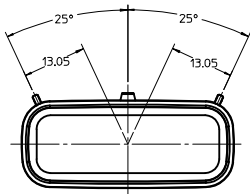
KEYING OPTION "A"
SUGGESTED COLOR: BLACK



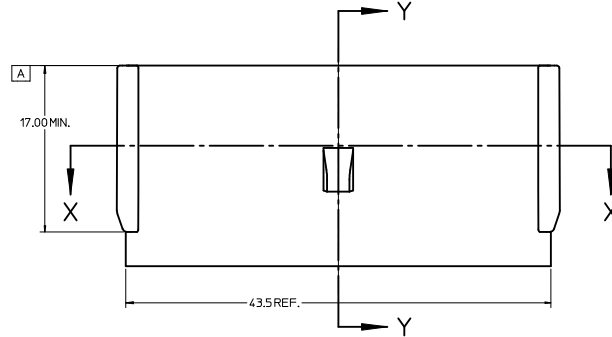
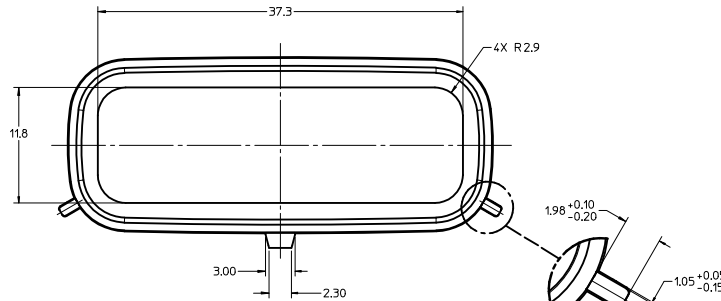
KEYING OPTION "B"
SUGGESTED COLOR: GREY



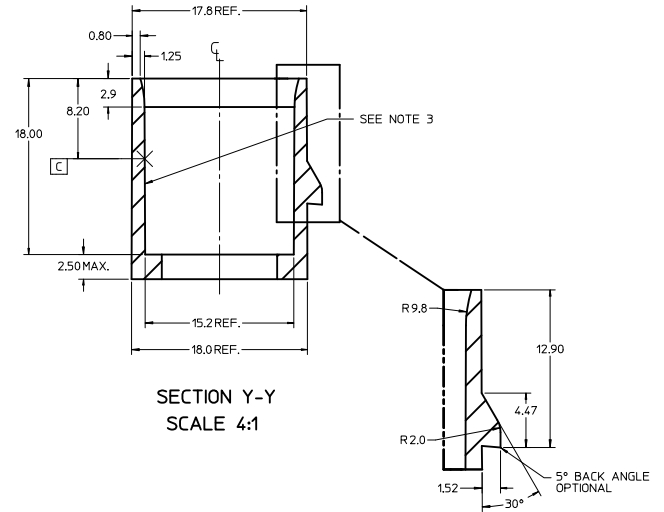
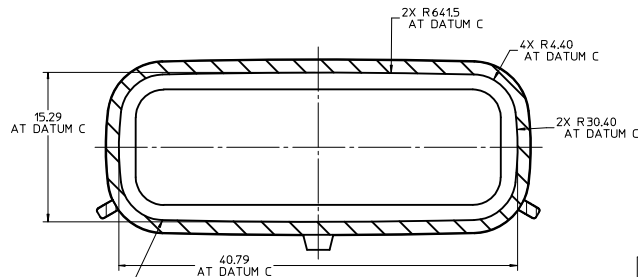
KEYING OPTION "C"
SUGGESTED COLOR: BROWN



KEYING OPTION "D"
SUGGESTED COLOR: GREEN

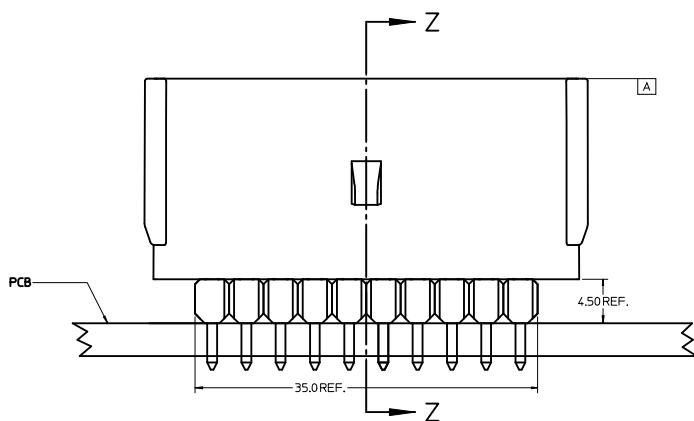
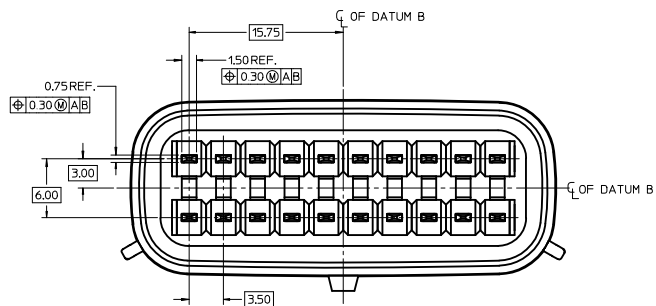


SECTION X-X
SCALE 4:1



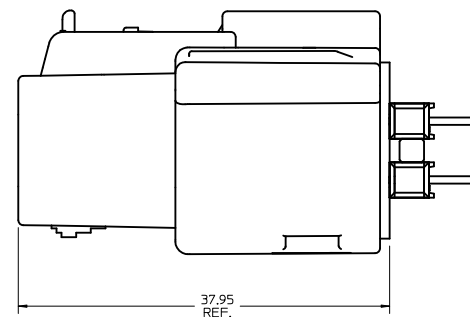
SECTION Y-Y
SCALE 4:1

ADDED PLUG ASSY EC NO: UCP2011-2680 D: DRWNBROSCA 2011/03/04 CHKD: APPR: COMERCL 2011/03/07 REV DESCRIPTION	QUALITY SYMBOLS =0 =0		GENERAL TOLERANCES (UNLESS SPECIFIED) mm INCH 4 PLACES ±--- ±--- 3 PLACES ±--- ±--- 2 PLACES ±0.10 ±--- 1 PLACE ±0.2 ±--- ANGULAR ±1/2°		DIMENSION STYLE MM ONLY DRAWN BY DATE TMCLELL 02/16/06 CHECKED BY DATE TMCLELL 02/16/06 APPROVED BY DATE BANAKIS 02/16/06		SCALE 2:1 DESIGN UNITS METRIC THIRD ANGLE PROJECTION	
	DRAFT WHERE APPLICABLE MUST REMAIN WITHIN DIMENSIONS		MATERIAL NO. 75757-2100 SIZE D		DOCUMENT NO. AS-75757-210 MOLEX INCORPORATED		APPLICATION SPEC 2X10 MX150 HEADER SHROUD DETAILS MOLEX INCORPORATED	
							SHEET NO. 1 OF 2	
							THIS DRAWING CONTAINS INFORMATION THAT IS PROPRIETARY TO MOLEX INCORPORATED AND SHOULD NOT BE USED WITHOUT WRITTEN PERMISSION	

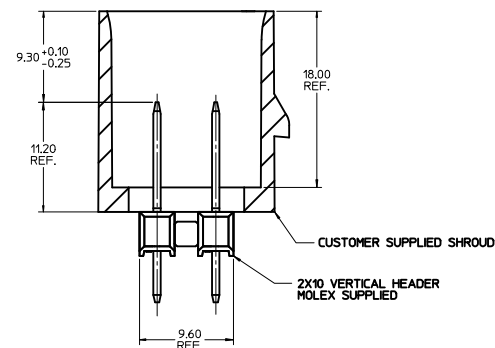


HEADER APPLICATION DETAILS

NOTES:
 1. ADHERENCE TO THE HEADER APPLICATION DETAILS IS IMPERATIVE TO ENSURE PROPER SHROUD SEALING AND CONTACT ALIGNMENT WHEN MATED WITH A MX150 FEMALE CONNECTOR.

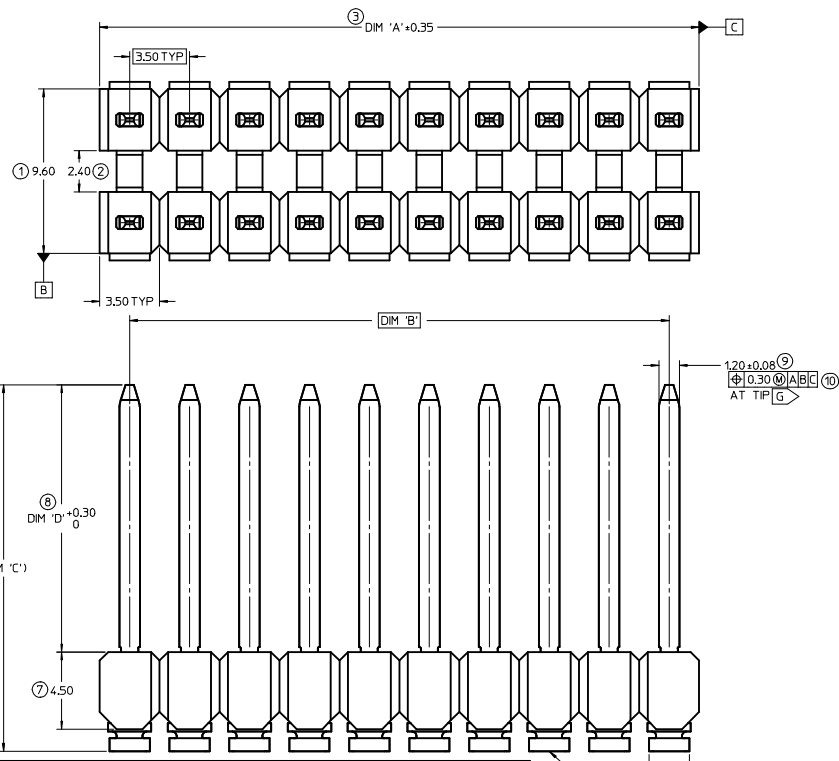


CONNECTOR ASSEMBLY

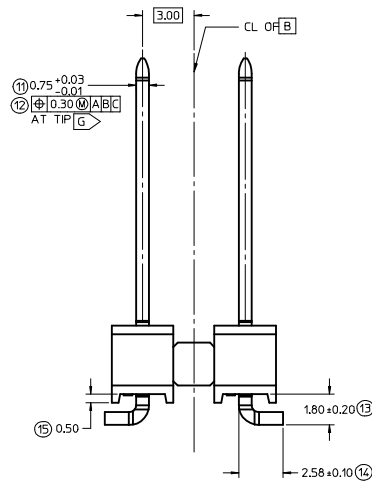


SECTION Z-Z

SEE SHEET 1 IEC NO. UCP2011-2680 DRAWN BY: DRWN:ROSICA CHKD: APPR.: COMERCL 2011/03/04 2011/03/07	QUALITY SYMBOLS	GENERAL TOLERANCES (UNLESS SPECIFIED)	DIMENSION STYLE	SCALE	DESIGN UNITS	THIRD ANGLE PROJECTION
	▽=0 ▽=0	(UNLESS SPECIFIED) mm INCH 4 PLACES ± --- ± --- 3 PLACES ± --- ± --- 2 PLACES ± 0.10 ± --- 1 PLACE ± 0.2 ± --- ANGULAR ± 1/2°	MM ONLY DRAWN BY DATE TMCLELL 02/16/06 CHECKED BY DATE TMCLELL 02/16/06 APPROVED BY DATE BANAKIS 02/16/06	4:1	METRIC	TITLE APPLICATION SPEC 2X10 MX150 HEADER SHROUD DETAILS
	DRAFT WHERE APPLICABLE MUST REMAIN WITHIN DIMENSIONS	MATERIAL NO. 75757-2100	DOCUMENT NO. AS-75757-210	MOLEX INCORPORATED	SHEET NO. 2 OF 2	
	SIZE D	THIS DRAWING CONTAINS INFORMATION THAT IS PROPRIETARY TO MOLEX INCORPORATED AND SHOULD NOT BE USED WITHOUT WRITTEN PERMISSION				

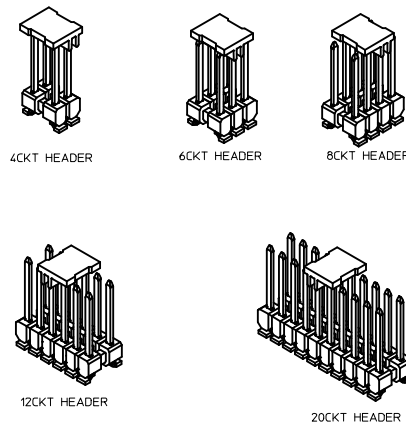


ASSEMBLY PART NUMBER	COMPONENT DESCRIPTION	COMPONENT QUANTITY	DIM 'A'	DIM 'B'	DIM 'C'	DIM 'D'	TOOLED
75757-4205	20CKT WAFER	1					
	MX150 BLADE	20	35.00	31.50	21.40	15.60	YES
75757-4200	20CKT WAFER	1					
	MX150 BLADE	20	35.00	31.50	21.40	15.60	YES
	PICK&PLACE CAP	1					
75757-4165	16CKT WAFER	1	28.00	24.50	21.40	15.60	YES
	MX150 BLADE	16					
75757-4160	16CKT WAFER	1	28.00	24.50	21.40	15.60	YES
	MX150 BLADE	16					
	PICK&PLACE CAP	1					
75757-4125	12CKT WAFER	1	21.00	17.50	21.40	15.60	YES
	MX150 BLADE	12					
75757-4120	12CKT WAFER	1	21.00	17.50	21.40	15.60	YES
	MX150 BLADE	12					
	PICK&PLACE CAP	1					
75757-4085	8CKT WAFER	1	14.00	10.50	21.40	15.60	YES
	MX150 BLADE	8					
75757-4080	8CKT WAFER	1	14.00	10.50	21.40	15.60	YES
	MX150 BLADE	8					
	PICK&PLACE CAP	1					
75757-4065	6CKT WAFER	1	10.50	7.00	21.40	15.60	YES
	MX150 BLADE	6					
75757-4060	6CKT WAFER	1	10.50	7.00	21.40	15.60	YES
	MX150 BLADE	6					
	PICK&PLACE CAP	1					
75757-4045	4CKT WAFER	1	7.00	3.50	21.40	15.60	YES
	MX150 BLADE	4					
75757-4040	4CKT WAFER	1	7.00	3.50	21.40	15.60	YES
	MX150 BLADE	4					
	PICK&PLACE CAP	1					



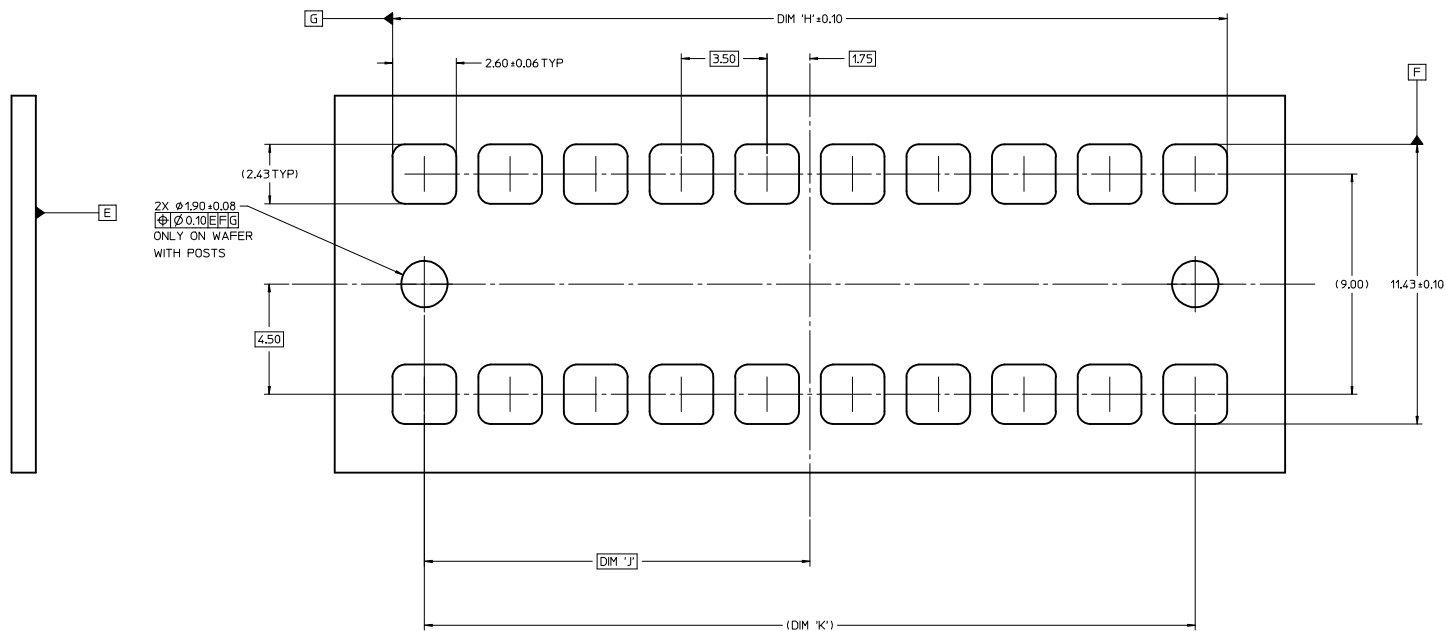
- NOTES: VALID UNLESS OTHERWISE SPECIFIED
- GENERAL:
 - PACKAGING SPECIFICATION PER MOLEX DRAWING: PK-31302-386
 - PARTS MUST BE IN COMPLIANCE TO MOLEX CHEMICAL SUBSTANCES FOR PRODUCTS AND PACKAGING SPECIFICATION: ES-40000-5016
 - DATA MUST BE SUBMITTED UNDER THE MOLEX PART NUMBER TO IMDS (COMPANY ID#13255)
 - PARTS MUST CONFORM TO ALL CURRENT REQUIREMENTS OF DIRECTIVE 2011/65/EU (EU RoHS COMPLIANT)
 - TERMINAL PUSH OUT FORCE 10.8N MINIMUM
 - DESIGN - MATERIALS:
 - WAFER: LCP+30%GF
 - PICK AND PLACE CAP: LCP+30%GF, UL94V-0
 - TERMINAL BLADE: C19400
 - TERMINAL PLATING: TIN OVER NICKEL OVERALL
 - DESIGN - GEOMETRY:
 - ALL GRAPHIC DATA IS BASIC (NO TOLERANCE) AND MUST BE TAKEN FROM THE DATA FILE AT ITS LATEST REVISION.
 - EDGES AND UNDIMENSIONED DETAILS PER ISO13175
 - CORNERS SHOWN AS SHARP TO BE R 0.2 MAX.
 - LETTERING SHALL BE 0.15 MAX RAISED IN 0.25 MAX RECESS PAD. THIS INCLUDES RECYCLING CODE, CAVITY ID, VENDOR IDENTIFICATION, AND CUSTOMER MATERIAL NUMBER.
 - DESIGN - MANUFACTURING:
 - VISUAL DEFECTS SHALL MEET COSMETIC STANDARD PS-45499-002 (Class B)
 - POSITION TOLERANCE OF PIN AT MATING SIDE SHOULD BE MAINTAINED AT 0.3MM IN THE FINAL MODULE BY CUSTOMER.
 - (G) DENOTES DIMENSIONS THAT CAN BE QUALIFIED WITH A GAUGE.

7. BLADE GEOMETRY DOES NOT CONFORM TO USCAR SPECIFICATIONS



ADDED NOTE 5, 6 & 7 EC NO. UAU2017-0860 DRAWING NO. 2017/03/24 CHKD. APPR: VITAIKAR 2017/04/24 REV DESCRIPTION	QUALITY SYMBOLS	GENERAL TOLERANCES (UNLESS SPECIFIED)	DIMENSION STYLE	SCALE	DESIGN UNITS	THIRD ANGLE PROJECTION
	∇=0 ∇=0 ∇=0	4 PLACES ± --- 3 PLACES ± --- 2 PLACES ± 0.13 1 PLACE ± 0.25 0 PLACE ± ---	MM ONLY 8:1 METRIC	DRAWN BY DATE JFISCHER01 2014/11/05 CHECKED BY DATE APPROVED BY DATE RBAUMAN 2014/11/13	TITLE MX150 STICK HEADER ASSEMBLY SALES DRAWING molex	
DRAFT WHERE APPLICABLE MUST REMAIN WITHIN DIMENSIONS		MATERIAL NO. SEE CHART		DOCUMENT NO. SD-75757-400		

RECOMMENDED PCB LAYOUT



PART NUMBER	DIM 'H'	DIM 'J'	DIM 'K'
75757-4200 OR 4205	34.10	15.75	31.50
75757-4120 OR 4125	20.10	8.75	17.50
75757-4080 OR 4085	13.10	5.25	10.50
75757-4040 OR 4045	6.10	1.75	3.50

ENTER DESCRIPTION IEC NO: UAU2017-0860 2017/03/24 CHYD: APPR:WITARKAR 2017/04/24 REV:	QUALITY SYMBOLS	GENERAL TOLERANCES (UNLESS SPECIFIED)	DIMENSION STYLE	SCALE	DESIGN UNITS	THIRD ANGLE PROJECTION
	▽=0	4 PLACES ±---	mm INCH	MM ONLY	10:1	METRIC
	▽=0	3 PLACES ±---		DRAWN BY DATE		
	▽=0	2 PLACES ±0.13		JFISCHER01 2014/11/05		
	1 PLACE ±0.25	ANGULAR ± 1°	APPROVED BY DATE			
	0 PLACE ±---	DRAFT WHERE APPLICABLE MUST REMAIN WITHIN DIMENSIONS	RBAUMAN 2014/11/13			
			MATERIAL NO.	999999999	DOCUMENT NO.	SD-75757-400
			SIZE	D		SHEET NO. 2 OF 2