

Technical specification:

Rated voltage: 30 V
IEC 61076-2-101

Current rating: 4A at 40°C
IEC 61076-2-101

Insulation resistance: >=100 MΩ
IEC 60512-2

Pollution degree: 3/2
IEC 60664-1

Degree of protection: IP 67, in mated condition
IEC 60529

Temperatur range: -30°C ... +80°C

Mating cycles: >=100
IEC 60512-9a

Materials:

Contact: CuZn

Contact plating: Nickel, gold plated

Contact carrier: TPU GF, UL 94

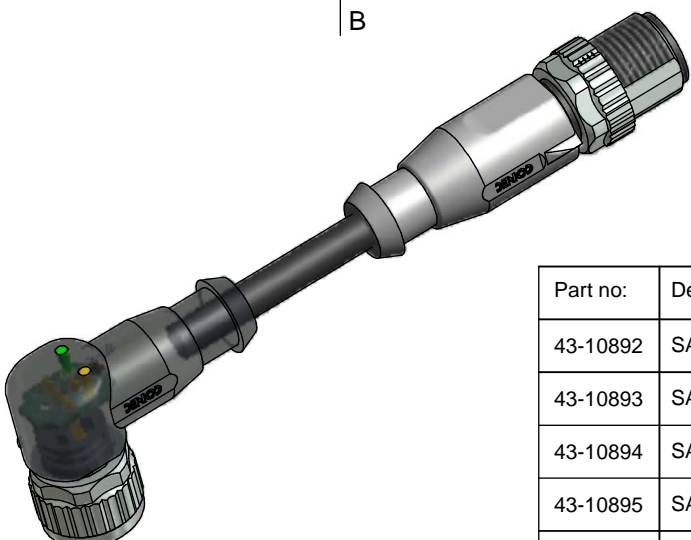
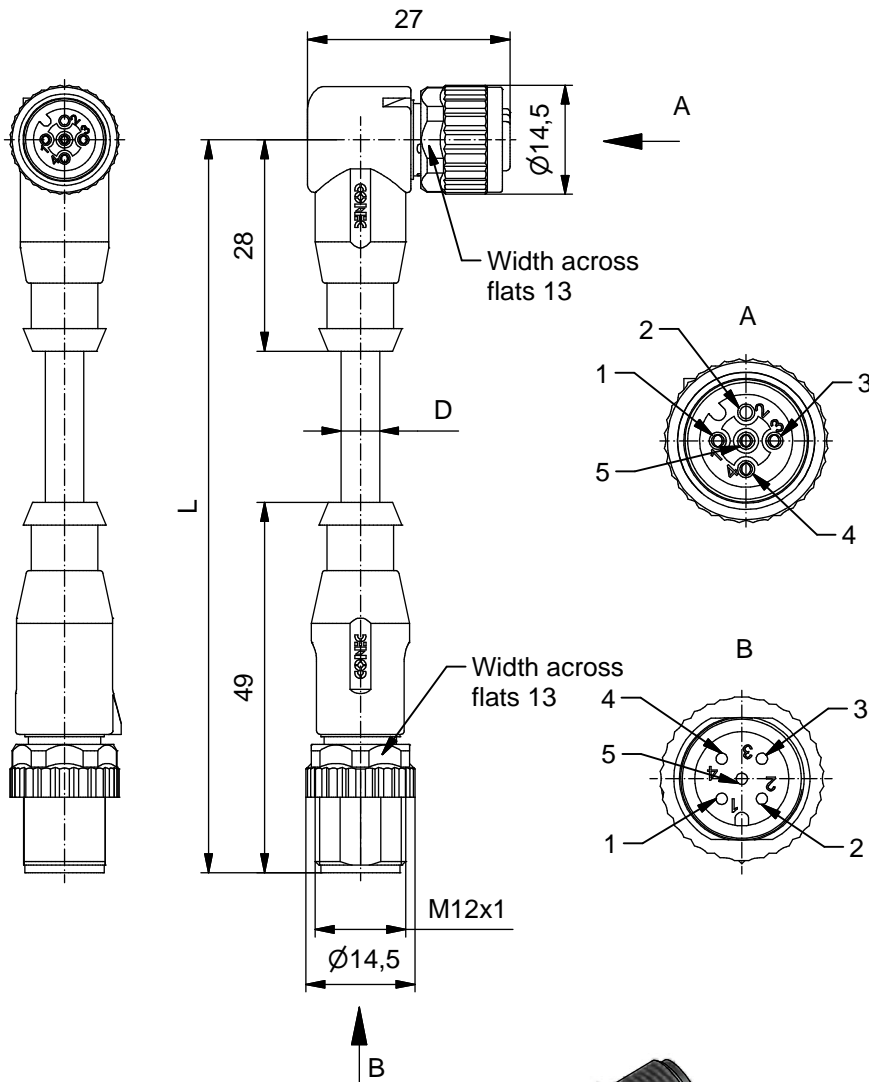
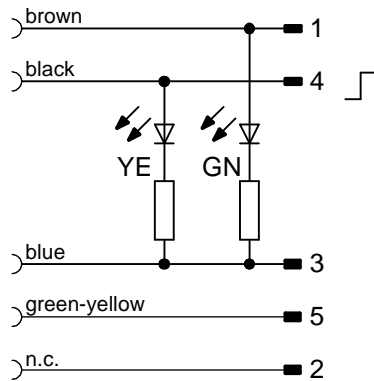
Sealing: FPM

Coupling nut/-screw: CuZn, nickel plated

Moulding body axial: TPU, UL 94, grey

Moulding body angled: TPU, UL 94, translucent

Contact assignment:



D see data sheet cable

Part no:	Description:	Length L:	Cable:
43-10892	SAL - 12 - RKW5.2 - RS5.2 - 2L - 0,3 / K1	0,3m	TPU, UL 20549, black, 4x0,34mm ² Cable: 781-K1340G
43-10893	SAL - 12 - RKW5.2 - RS5.2 - 2L - 0,6 / K1	0,6m	
43-10894	SAL - 12 - RKW5.2 - RS5.2 - 2L - 1,5 / K1	1,5m	
43-10895	SAL - 12 - RKW5.2 - RS5.2 - 2L - 3,0 / K1	3m	
43-xxxxx	SAL - 12 - RKW5.2 - RS5.2 - 2L - ... / K1	x	

DO NOT ALTER CAD DRAWING BY HAND Directive 2011/65/EU RoHS compliant	dim. in mm		title: Connecting cable M12x1 Female angled with LED - Male connector axial		
					dwg no: 43K1A430
	tolerance of cable: L ≤ 4m: L + 40mm L > 4m: L + 1%		date: 09.04.14 name: R. Böckeler	part no: see table	
	general tolerance: 0 ± 0,50mm 0,0 ± 0,25mm 0,00 ± 0,10mm		appd.: 09.04.14 name: Mankopf		



THIS DRAWING MAY NOT BE COPIED OR REPRODUCED IN ANY WAY, AND MAY NOT BE PASSED ON TO A THIRD PARTY WITHOUT WRITTEN PERMISSION. OWNERSHIP AND COPYRIGHT OF CONEC GmbH