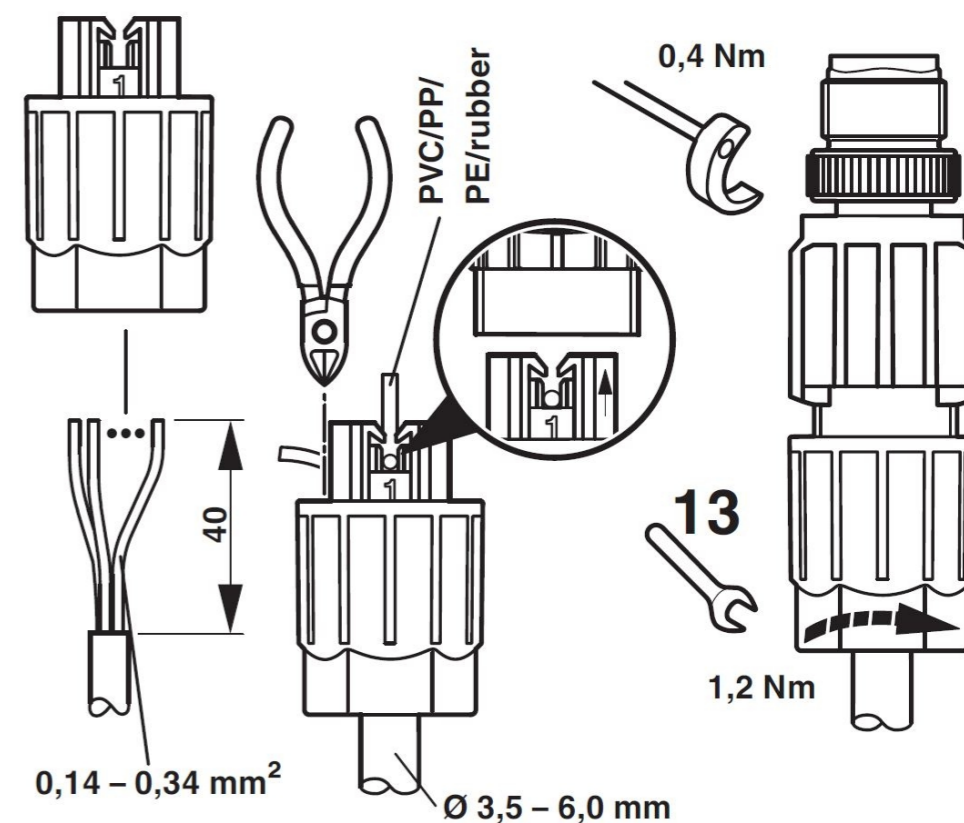


SCALE 2:1



NOTES:

Ambient temperature (operation):  
-25 °C ... 80 °C (Plug / socket)

Degree of protection: IP65

Degree of protection: IP67

General:

Rated current at 40°C: 4 A

Rated voltage: 125 V

Number of poles: 4

Connection method:

Insulation displacement connection

Conductor cross section: 0.14 mm² ... 0.34 mm²

Wire diameter including insulation: 0.7 mm ... 1.6 mm

Cable outlet: 3.5 mm ... 6 mm ±0.2 mm

Structure of individual litz in acc. with VDE 0295  
/ smallest wire diameter: Class 2-6

Contact material: CuSn

Contact surface material: Ni/Au

ENG.-No.: 8A4006-51

THIS DRAWING CONTAINS INFORMATION THAT IS PROPRIETARY TO MOLEX INCORPORATED AND SHOULD NOT BE USED WITHOUT WRITTEN PERMISSION												
QUALITY SYMBOLS ▽ = 0 ▽ = 0 ▽ = 0 ▼ = 0 ▽ = 0 ⊠ = 0 ■ = 0 ▽ = 0	EC DESCRIPTION EC NO.: 108741 DRWN: THAERDT CHK'D: REV APPR: RSILLER	2016/09/23	2016/09/23	GENERAL TOLERANCES (UNLESS SPECIFIED)		DIMENSION UNITS	SCALE					
				ANGULAR TOL ± 1.0 °		MM	4:1					
				4 PLACES ±		DRWN BY		DATE	FA M12 4P AC MA STR IDC UNSH			
				3 PLACES ±		MSCHWARZ		2015/09/01				
				2 PLACES ± 0.05		CHK'D BY		DATE				
		1 PLACE ± 0.3		APPR BY		DATE	PRODUCT CUSTOMER DRAWING					
		0 PLACES ± 0.5		DRAFT WHERE APPLICABLE MUST REMAIN WITHIN DIMENSIONS		DRAWING SIZE	THIRD ANGLE PROJECTION	SERIES	MATERIAL NUMBER	CUSTOMER		
				A3				120071	1200710086	GENERAL MARKET		
								DOCUMENT NUMBER		DOC TYPE	DOC PART	SHEET NUMBER
								1200710086		PSD	000	1 OF 1