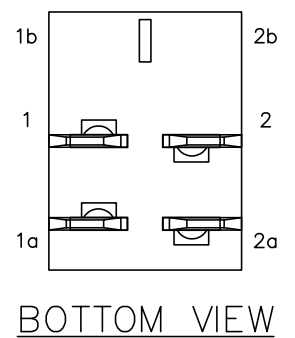
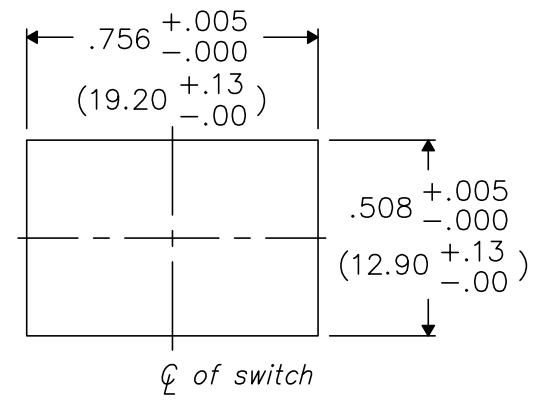
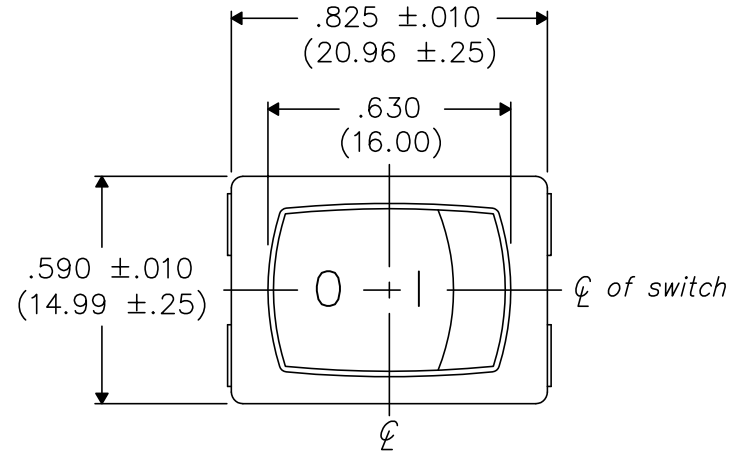


DIMENSIONS IN INCHES (MILLIMETERS)
DO NOT SCALE DRAWING

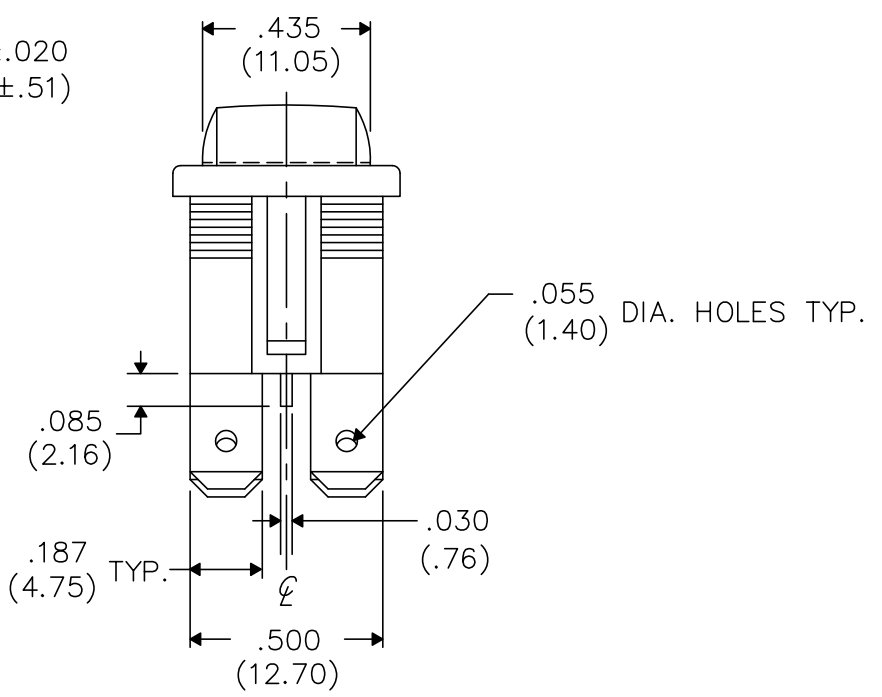
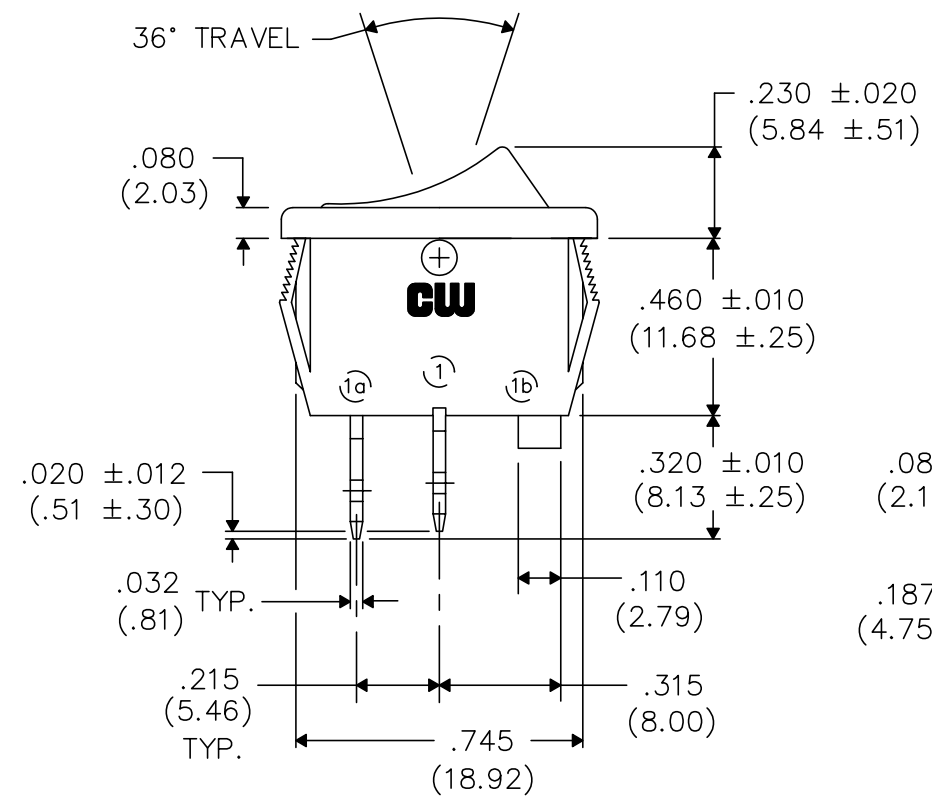
Dwg. No.
GRS-4021-0032

E
D
C
B
A

PANEL PIERCING



BOTTOM VIEW



1 2 3 4 5 6 7 8 9 10

| | | | | | | | | | | |
|---------|-----------|---|--|--|--|--|--|--|--|--|
| FORM-B3 | REVISIONS | 0 | | | | | | | | |
| | | RELEASED. DGW 3-12-2002 3-13-2002 | | | | | | | | |

| | | | |
|--------------------------|--|--|--|
| PDF File Made | CW INDUSTRIES Southampton, Pa. 18966 | | Title: MINI-ROCKER ASSEMBLY NO BARR. (POP IN) D.P.- S.T. |
| | TOLERANCES UNLESS OTHERWISE SPECIFIED | | |
| | 2 Place Decimal ±.010 | METRIC | Division: SWITCH |
| | 3 Place Decimal ±.005 | 1 Place Dec. ±.25mm 2 Place Dec. ±.13mm | |
| Made for: CW IND. | Drawn by: DGW 3-12-2002 | Dwg. No. GRS-4021-0032 | |
| Checked by: GG 3-13-2002 | Approval: BF 3-13-2002 | | |