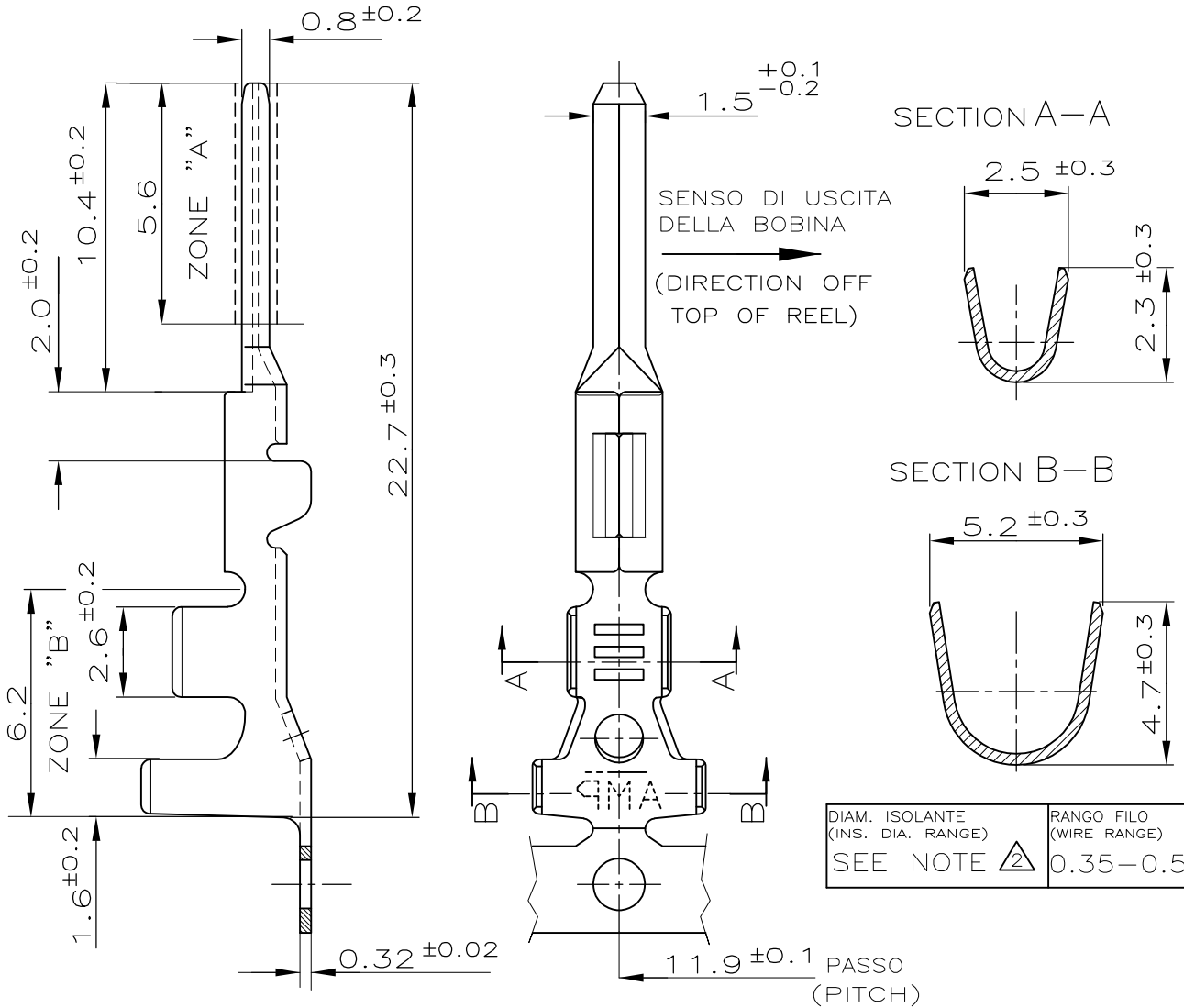


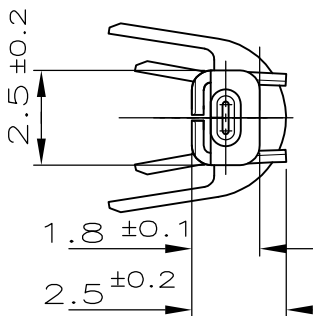
METRIC

LOC	DIST	REVISIONS					
I	—	P	LTR	DESCRIPTION	DATE	DWN	APVD
		A1		REVISED PER ECO-11-005033	2APR11	RK	HMR



DIAM. ISOLANTE (INS. DIA. RANGE)	RANGO FILO (WIRE RANGE)
SEE NOTE 2	0.35-0.5mm ²

- 2 ADATTO PER GOMMINO PASSACAVO AMP P/N 281934-4 (SUITABLE FOR SINGLE WIRE SEAL AMP P/N 281934-4)
- 1 DORATURA 0.8µm NELLA "ZONA A", STAGNATURA NELLA "ZONA B" E NICHELATURA SU TUTTO IL CONTATTO. (GOLD PLATED 0.8µm OVER "ZONE A", TIN PLATED OVER "ZONE B" AND NICKEL UNDERPLATING ALL OVER)



A	DORATO (GOLD PLTD) 1	OTTONE (BRASS)	282404-3
A	PRE STAGNATO (PRE-TIN)	OTTONE (BRASS)	282404-1
REV.	FINITURA / COLORE (FINISH / COLOUR)	MATERIALE (MATERIAL)	NUMERO (PART NUMBER)

RELEASED FOR PUBLICATION

ALL RIGHTS RESERVED.

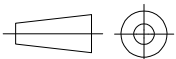
THIS DRAWING IS UNPUBLISHED.

By -
COPYRIGHT -

DIMENSIONS:
mm

TOLERANCES UNLESS OTHERWISE SPECIFIED:

0 PLC	± -
1 PLC	± 0.3
2 PLC	± -
3 PLC	± -
4 PLC	± -
ANGLES	± 2°



DWN	C.BERTINI	6-92	MATERIAL	-	FINISH	-				
CHK	A. BRUNI	6-92	TE Connectivity							
APVD	-	-								
PRODUCT SPEC	-	-	NAME							
APPLICATION SPEC	-	-	MINI MIC SRS TAB CONTACT							
WEIGHT	-	-	SIZE	A4	CAGE CODE	00779	DRAWING NO	C-282404	RESTRICTED TO	-
CUSTOMER DRAWING			SCALE	5:1	SHEET	1 OF 1	REV	A1		