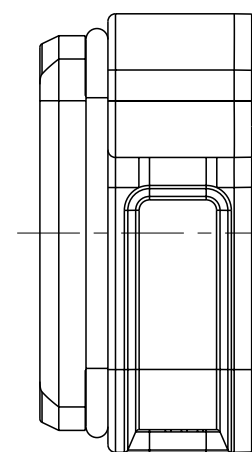
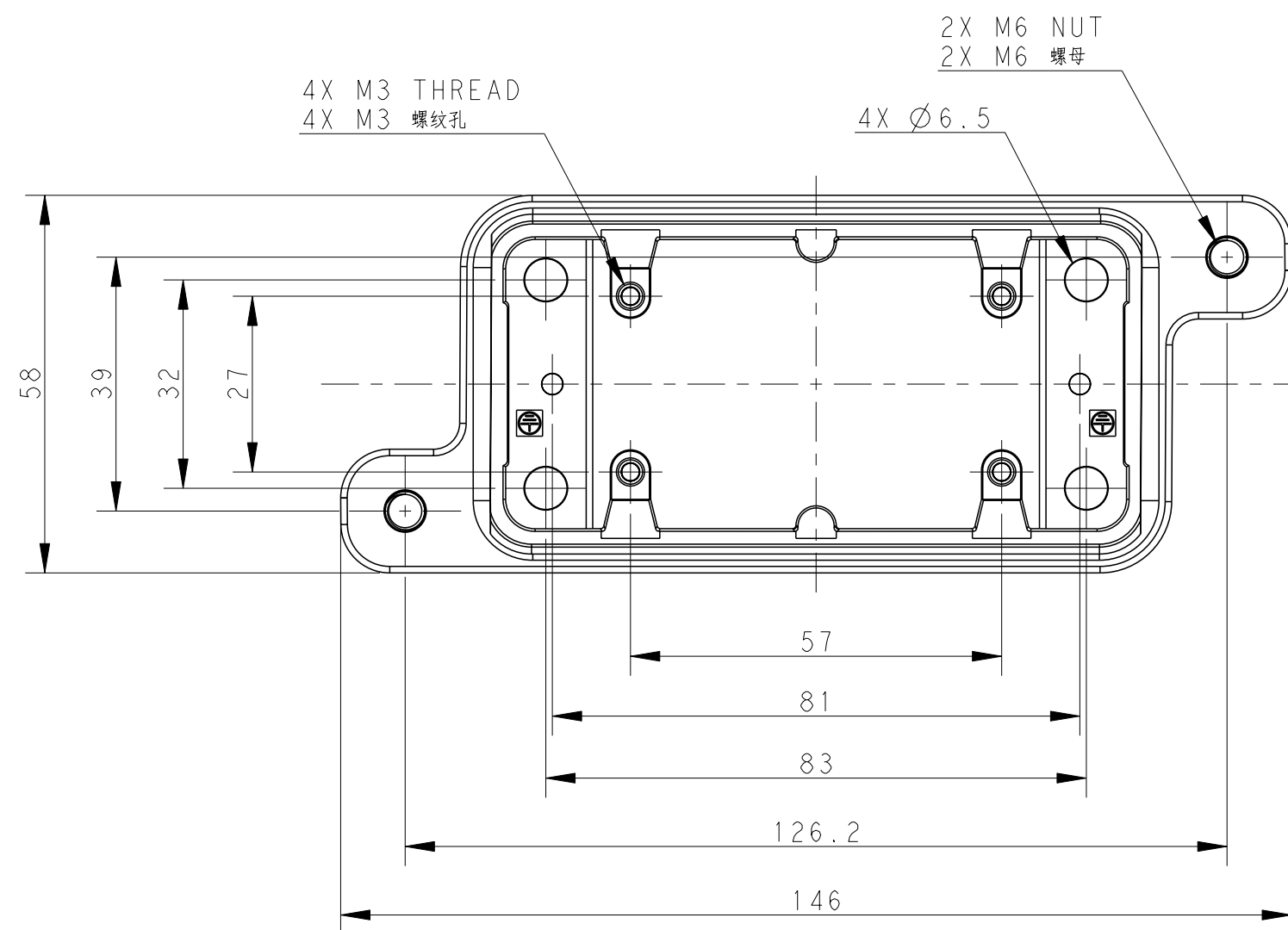


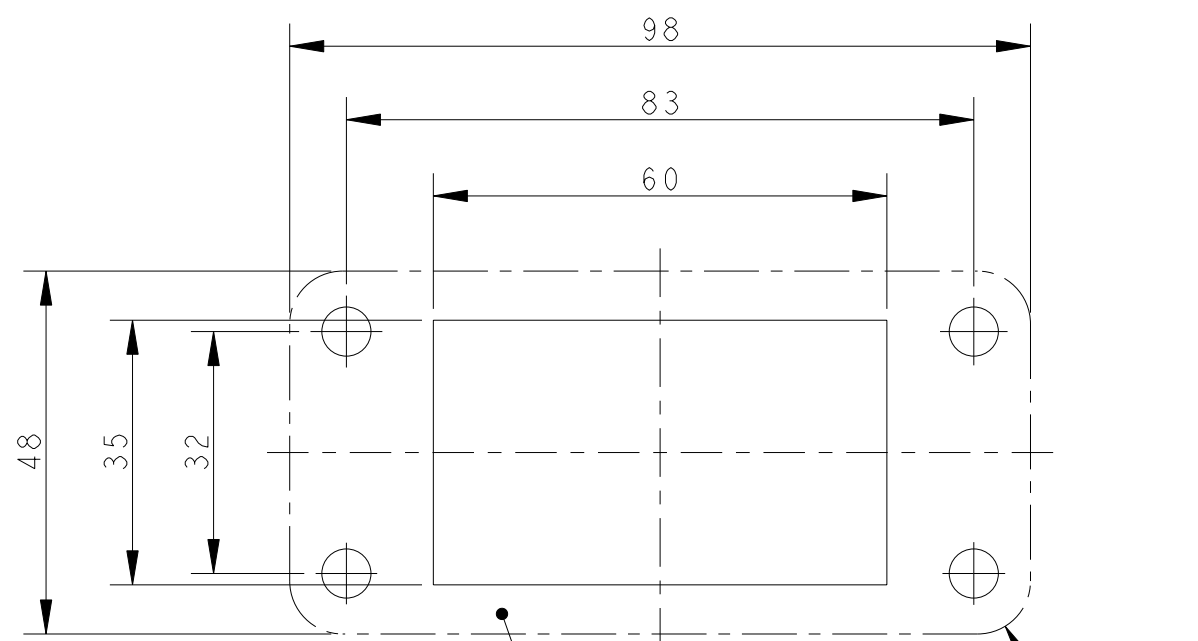
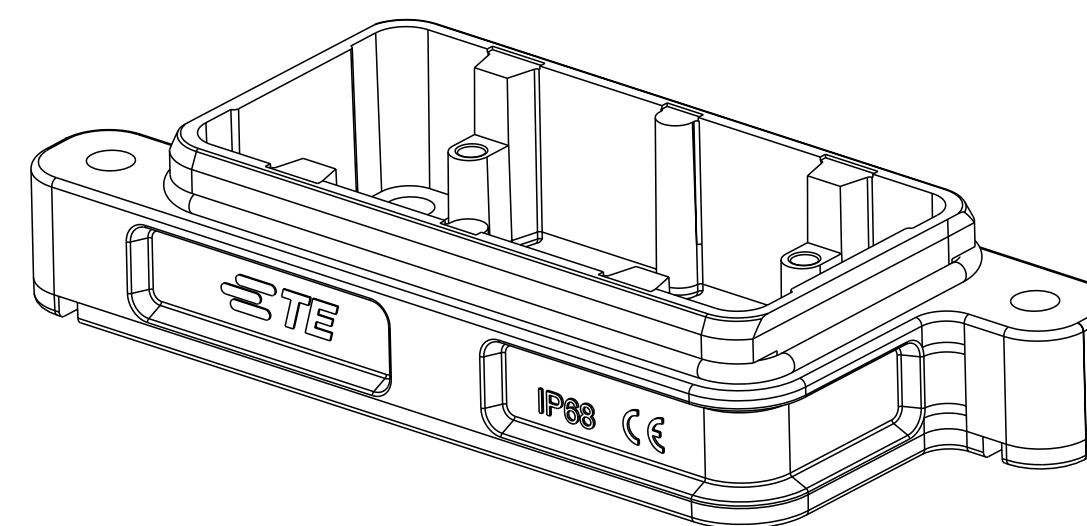
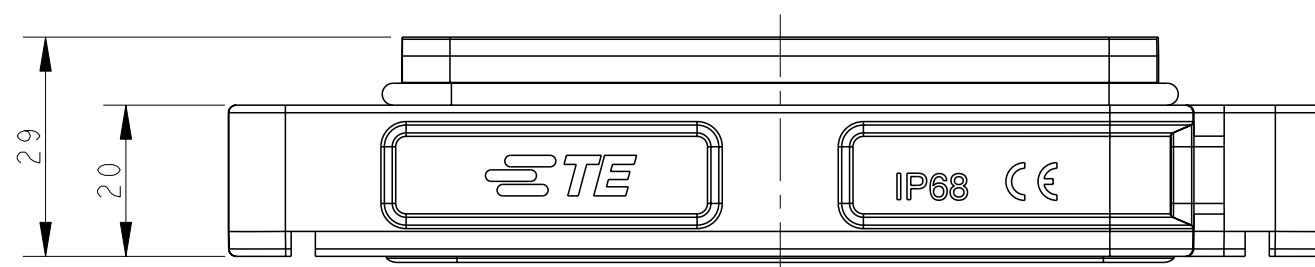
THIS DRAWING IS UNPUBLISHED. RELEASED FOR PUBLICATION 20
 © COPYRIGHT 20 BY - ALL RIGHTS RESERVED.

REVISIONS				
P	LTR	DESCRIPTION	DATE	APVD
A		INITIAL RELEASE	19SEP2016	DW CW
B		ECR-20-016312	04JUN2021	BS CW



NOTES:
 1. TECHNICAL CHARACTERISTICS:
 HOUSING MATERIAL: DIE CAST ALUMINIUM ALLOY
 SURFACE : SEE TABLE
 DEGREE OF PROTECTION: IP68 (MATED)

注释
 1. 技术参数:
 壳体材料: 铝合金
 表面处理: 见表格
 防护等级: IP68 (配合)



Panel Cut Out Dimension, Only for Reference
 面板开口尺寸, 仅供参考

PART NUMBER	料号	PART DESCRIPTION	描述
T1930102000-009	H10BPR-AG-EMC-C	H10BPR HOUSING, DIAGONAL LOCKING, BULKHEAD MOUNTED, POWDER COATED, GREY	H10BPR 对角锁定开孔下壳 灰色
T1930101000-009	H10BPR-AG-EMC-C	H10BPR HOUSING, DIAGONAL LOCKING, BULKHEAD MOUNTED, POWDER COATED, SILVER WHITE	H10BPR 对角锁定开孔下壳 银白色
T1930100000-009	H10BPR-AG-EMC-C	H10BPR HOUSING, DIAGONAL LOCKING, BULKHEAD MOUNTED, POWDER COATED, BLACK	H10BPR 对角锁定开孔下壳 黑色

THIS DRAWING IS A CONTROLLED DOCUMENT.		DWN DAVID WANG 19SEP2016	TE Connectivity	
		CHK CHRIS WANG 19SEP2016		
		APVD XIANG XU 19SEP2016	NAME H10BPR-AG-EMC-C	
DIMENSIONS: mm		PRODUCT SPEC 108-137191	SIZE A2	
TOLERANCES UNLESS OTHERWISE SPECIFIED:		APPLICATION SPEC 114-137191	CAGE CODE -	
0 PLC ±-		WEIGHT -	DRAWING NO C-T193010XXXXX09	
1 PLC ±-		RESTRICTED TO -		
2 PLC ±-		SCALE 1:1		
3 PLC ±-		SHEET 1 OF 1		
4 PLC ±-		REV B		
ANGLES ±-		Customer Drawing		
FINISH -				