



# L-82 Solenoid

## Specifications

**Push and Pull types available**  
push rod .094 inch dia.

### Standard Voltages

12, 24, 110 VDC  
24, 120, 240 VAC  
(any voltage available on request)

### Insulation Materials

UL construction, Class B 130°C

### Voltage Break Down Strength

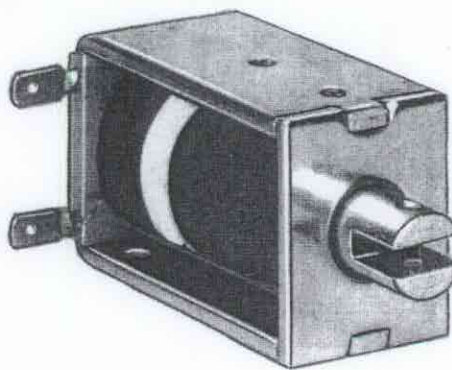
1500 VAC RMS

### Coil Termination

.187 tab and solder terminal standard  
(wire leads available on request)

### Life Expectancy

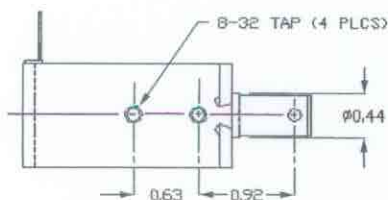
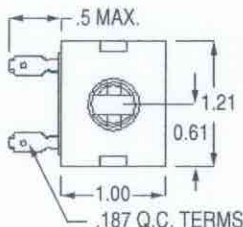
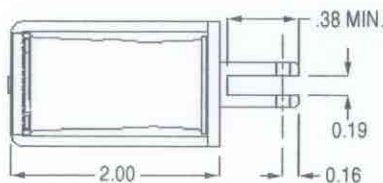
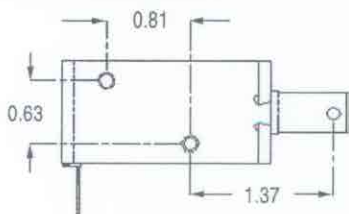
1 x 10<sup>7</sup> operations



POWER	DUTY CYCLE		
	Continuous	Intermittent	Pulse
DC	7.5 W	19 W	70 W
AC	12 VA	40 VA	120 VA

COIL VOLTAGE	DC RESISTANCE (in Ohms)		
	12 VDC	19.2	7.6
24 VDC	76.8	30.3	8.2
110 VDC	1613	636.8	173

## Dimensions



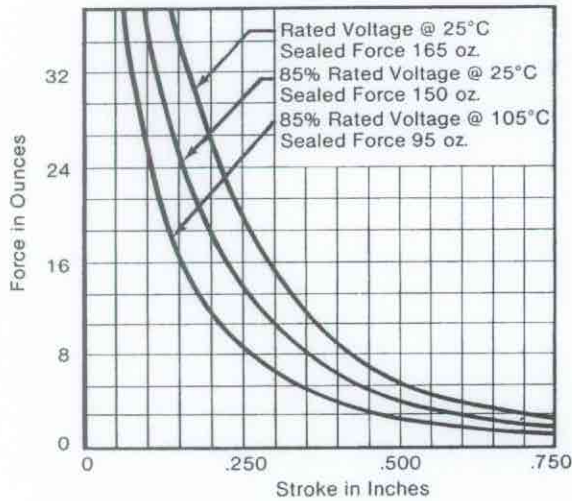
## Ordering Information

L-82XX XXX X- X

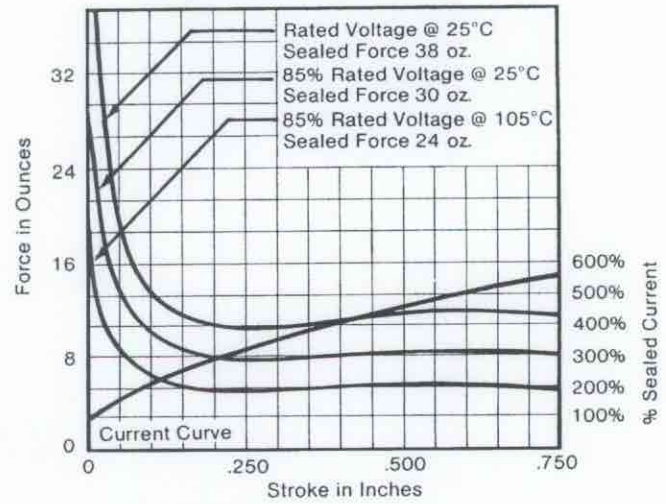
Action	Coil Voltage	Current	Duty
PL = Pull	012 = 12VDC	D = DC	C = Continuous
PS = Push	024 = 24VDC	A = AC	I = Intermittent
	110 = 110VDC		P = Pulse
	024 = 24VAC		
	120 = 120VAC		
	240 = 240VAC		



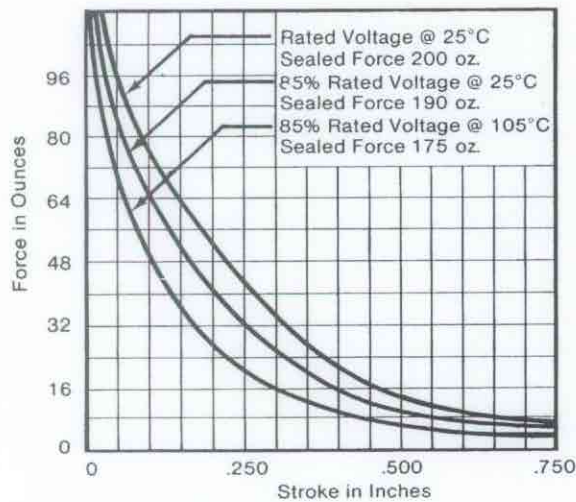
## DC CONTINUOUS—7.5 WATTS



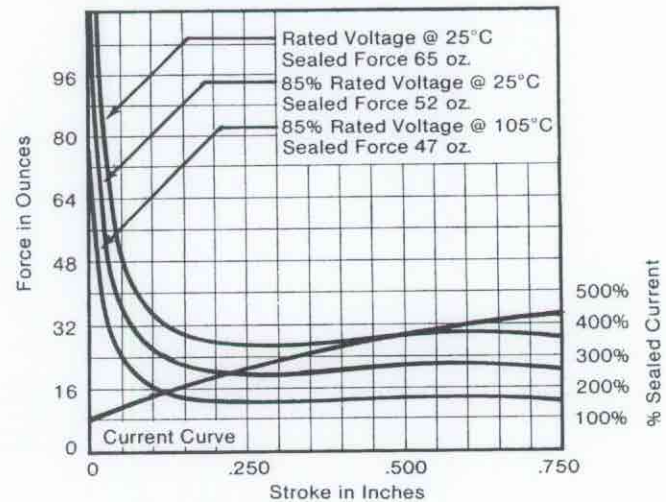
## AC CONTINUOUS—12.0 VA



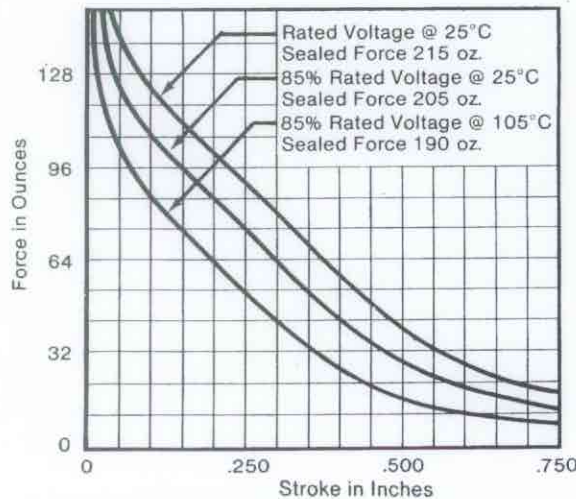
## DC INTERMITTENT—19 WATTS



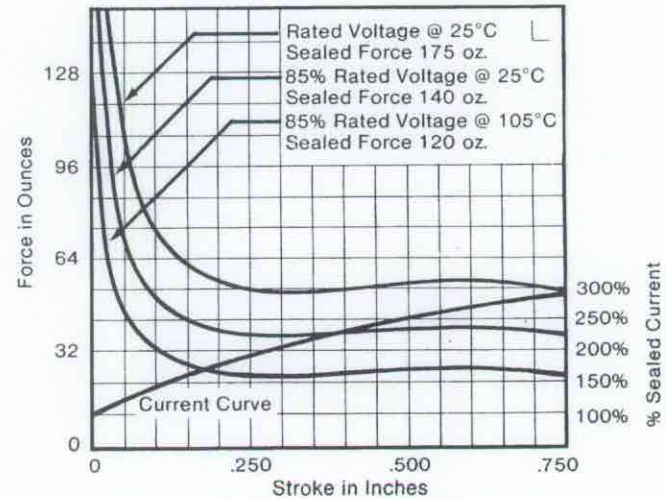
## AC INTERMITTENT—40 VA



## DC PULSE—70 WATTS

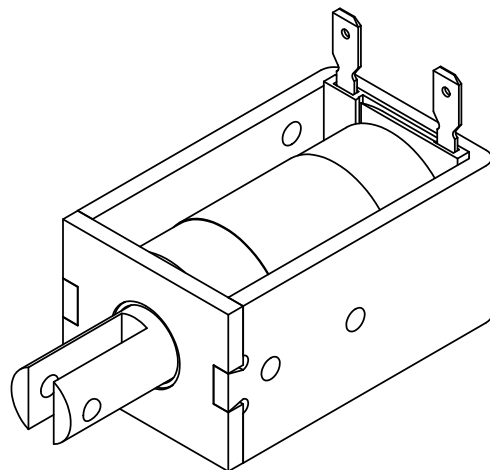
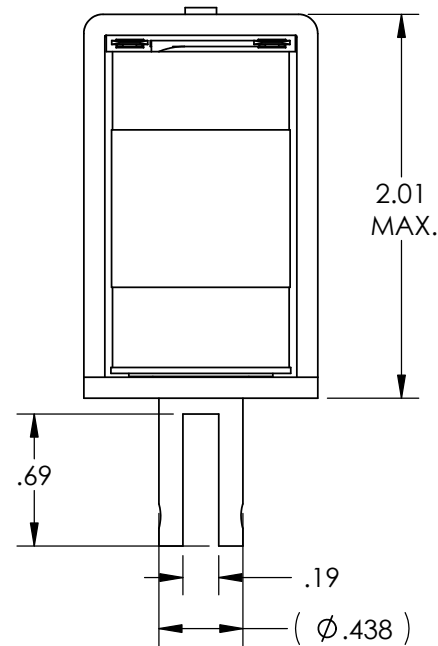
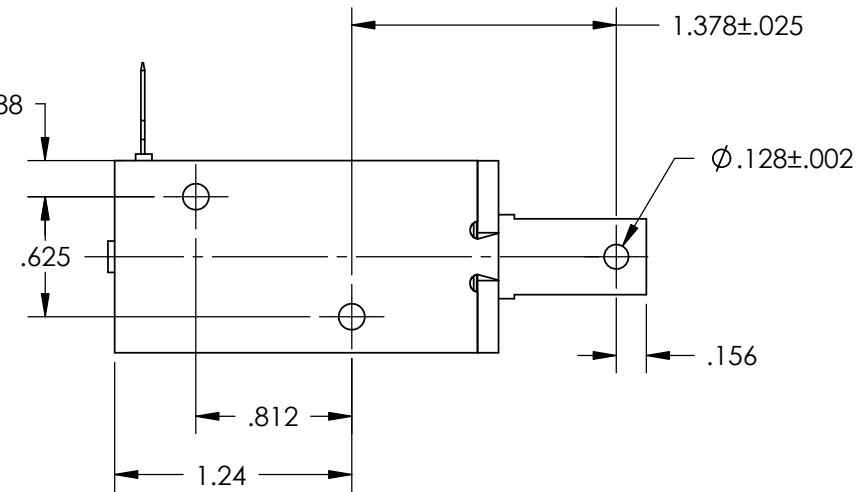
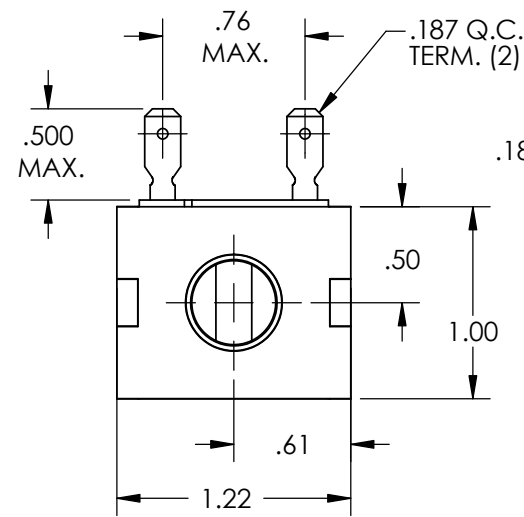
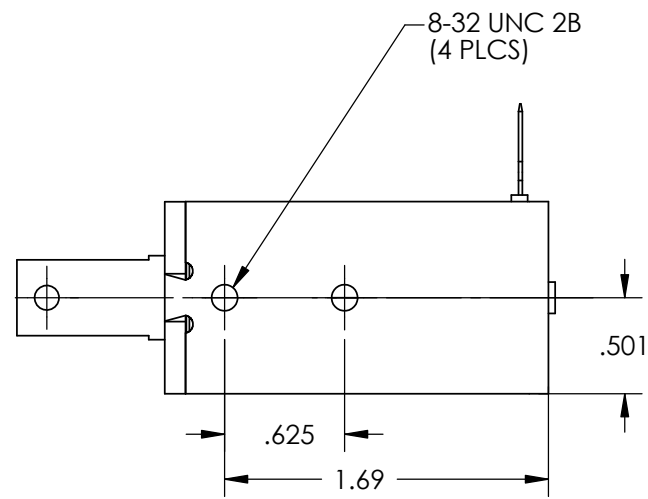


## AC PULSE—120 VA



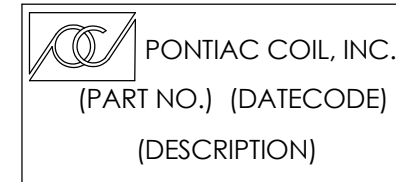
Note: These curves are typical force curves and not to be interpreted as minimum values. Standard intermittent duty cycle at rated voltage is one (1) minute "ON" and three (3) minutes "OFF". Standard pulse duty cycle is 100 milliseconds "ON" and 900 milliseconds "OFF".

REVISIONS					
REV	BY	ECN	DESCRIPTION	DATE	APPD
A	RCH	04-018	RELEASE FOR PRODUCTION		



PART NO.	DESCRIPTION	◇ OHMS ± 10% @ 25°C
F0441A	L-82PL012D-C	19.2
F0442A	L-82PL012D-I	7.6
F0443A	L-82PL024D-C	76.8
F0444A	L-82PL024D-I	30.3

LABEL INFO:



THIS PART/MATERIAL SPECIFICATION  
DETAILS SPECIFIC REQUIREMENTS.  
YOUR SIGNATURE CONSTITUTES  
AGREEMENT TO THESE REQUIREMENTS.

COMPANY NAME \_\_\_\_\_  
SIGNATURE \_\_\_\_\_  
DATE \_\_\_\_\_

UNLESS OTHERWISE SPECIFIED ALL DIMENSIONS ARE IN INCHES DIMENSIONS IN [ ] ARE MILLIMETERS	MATL: SEE BOM PRINTS	PONTIAC COIL INC.	
	FINISH/ PLATING: SEE BOM PRINTS	TITLE CUSTOMER DRAWING L82	
TOLERANCES:	NEXT ASSY:	FILE NAME CD-F044XA.SLDDRW	SIZE B
X [X] ± .1	THIS DOCUMENT IS THE PROPERTY OF PONTIAC COIL INC. AND ALL CONTENTS ARE PROPRIETARY	DWG NO CD-F044XA	
XX [0.X] ± .01		CUSTOMER DIGI-KEY	CUSTOMER P/N
XXX [0.XX] ± .005	ANSI Y14.5M-1982	SCALE 1=1	
XXXX [0.XXX] ± .0005		MFCODE	SHEET 1 OF 1
FRACTIONS ± 1/32	FULL FILE NAME: E:\DWG\SPCS\CD-F044XA.SLDDRW		
ANGLES IN DEGREES ± 2°	DO NOT SCALE DRAWING		