

SPECIFICATION

- Part No. : **CGGP.25.4.A.02**
- Product Name : 4mm thick GPS/GLONASS Patch Antenna,
1575-1610MHz
- Feature : 25*25*4mm
RoHS compliant



1. Introduction

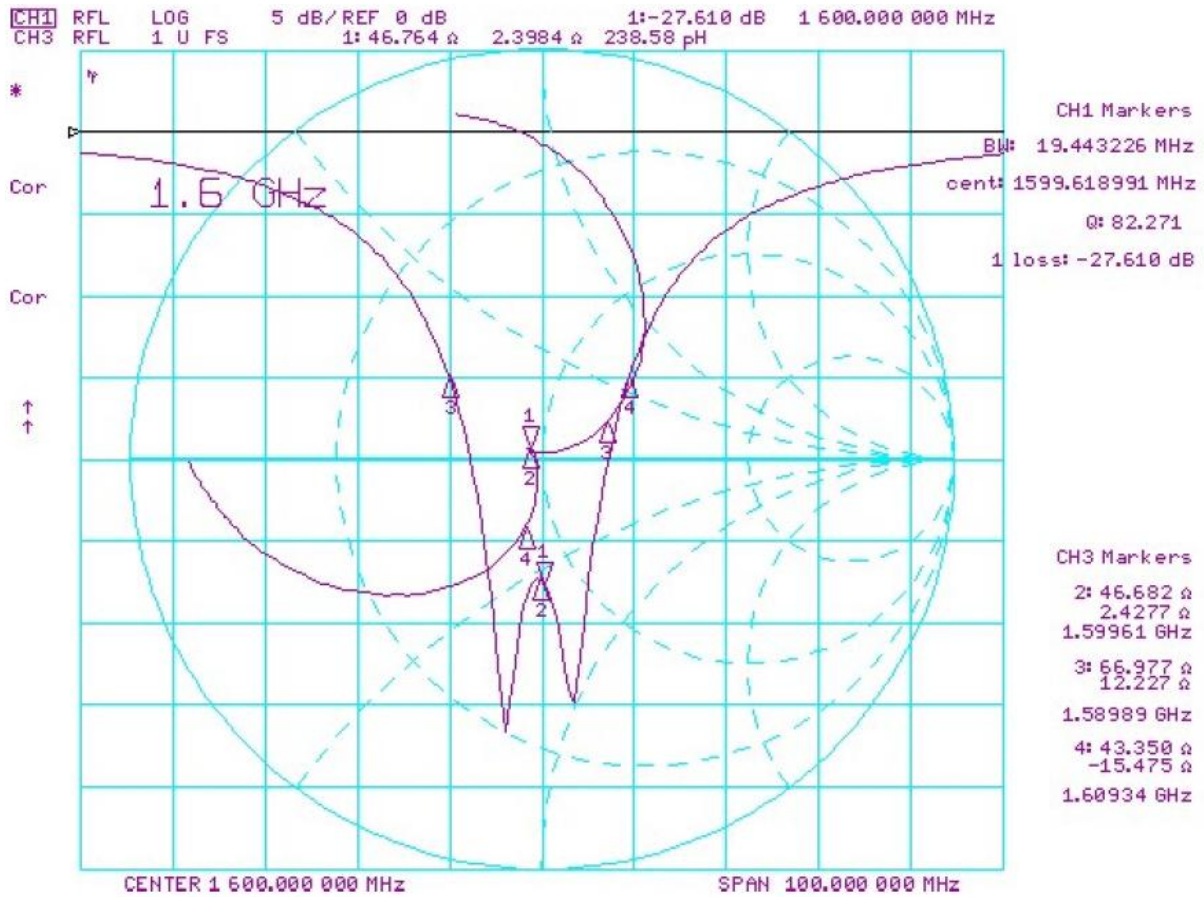
This miniaturized ceramic GPS patch antenna is based on smart *XtremeGain*™ technology. It is mounted via pin and double-sided adhesive and has been selected as optimal solution for the customer device environment.

2. Specification

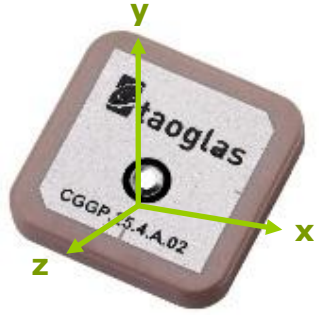
| ELECTRICAL | |
|-----------------------|-------------------------------|
| Center Frequency | 1600MHz ± 3MHz |
| Bandwidth | 15 MHz min Return Loss <-10dB |
| VSWR | 1.5 max |
| Gain at Zenith | +5.0 dBic typ. |
| Gain at 10° Elevation | -1.0 dBic typ. |
| Axial ratio | 3dB Max |
| Polarization | RHCP |
| Impedance | 50 ohms |
| MECHANICAL | |
| Ceramic Dimension | 25.1 x 25.1 x 4mm |
| Pin Diameter | 0.9mm |
| Pin Length | 1.8mm |
| ENVIRONMENTAL | |
| Operation Temperature | -40°C to 105°C |
| Humidity | Non-condensing 65°C 95% RH |

* Antenna properties were measurement with the antenna mounted on 70mm*70mm Ground Plane

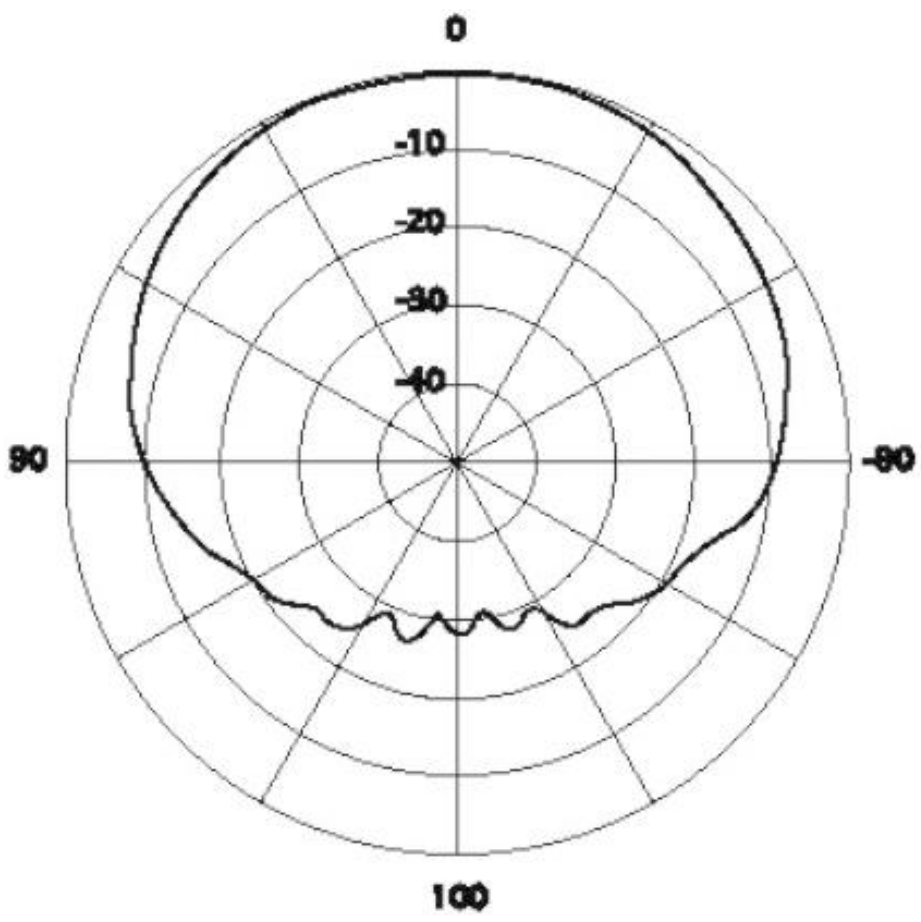
3. Antenna S11 Properties



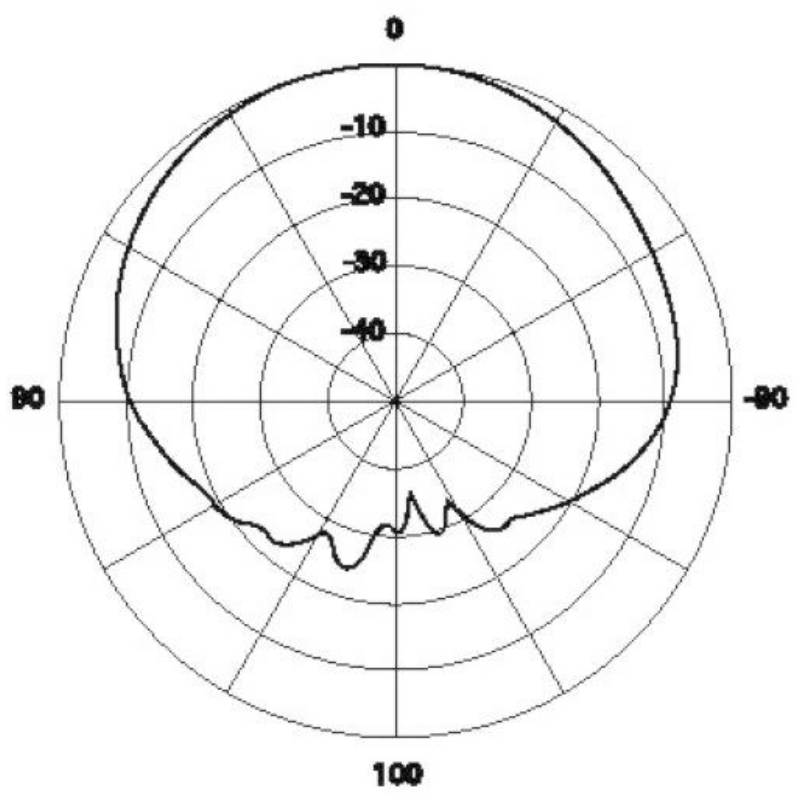
4. Antenna Radiation Properties



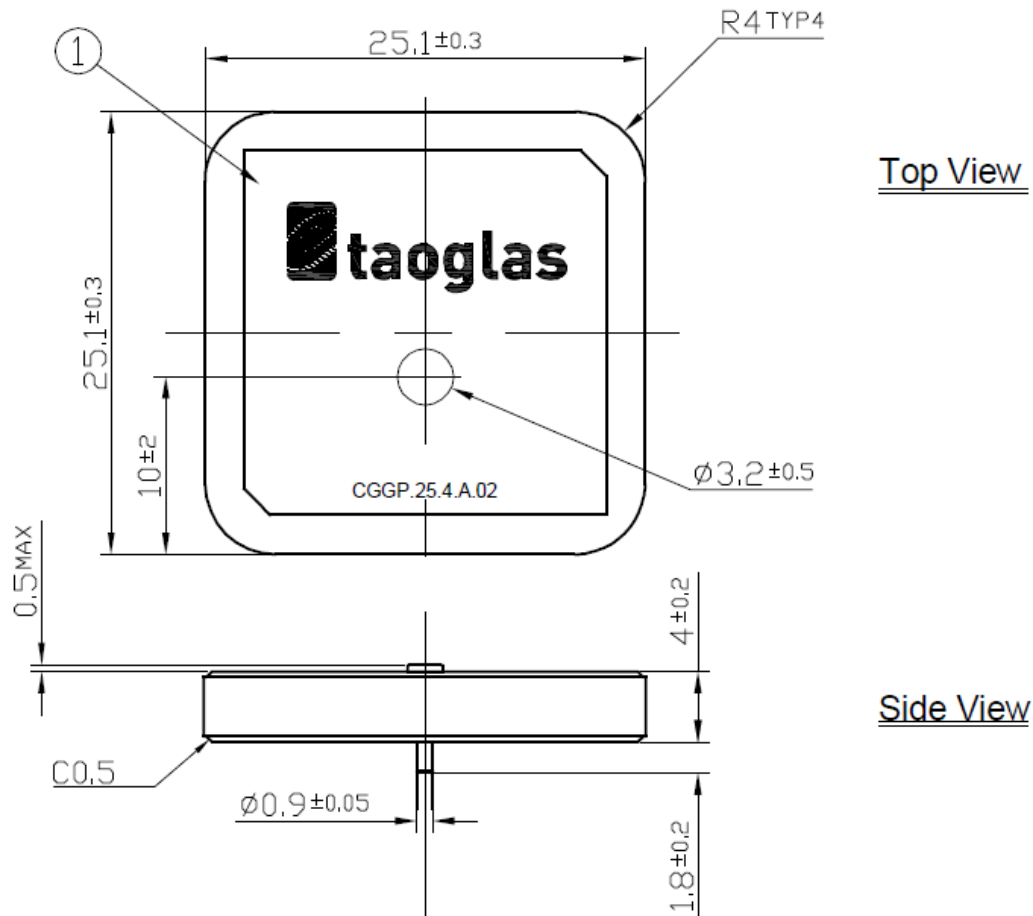
4.1. XZ – Plane Radiation

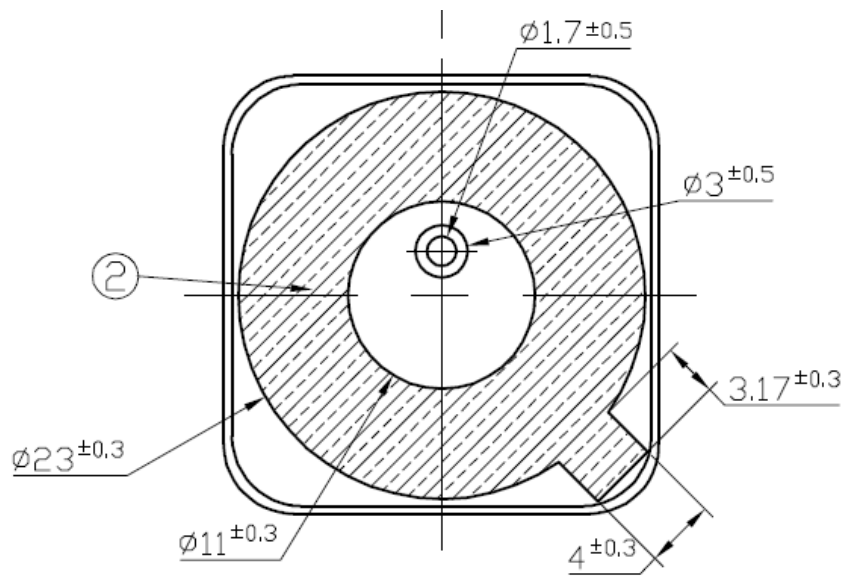


4.2. YZ- Plane Radiation

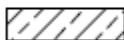


5. Mechanical Drawing



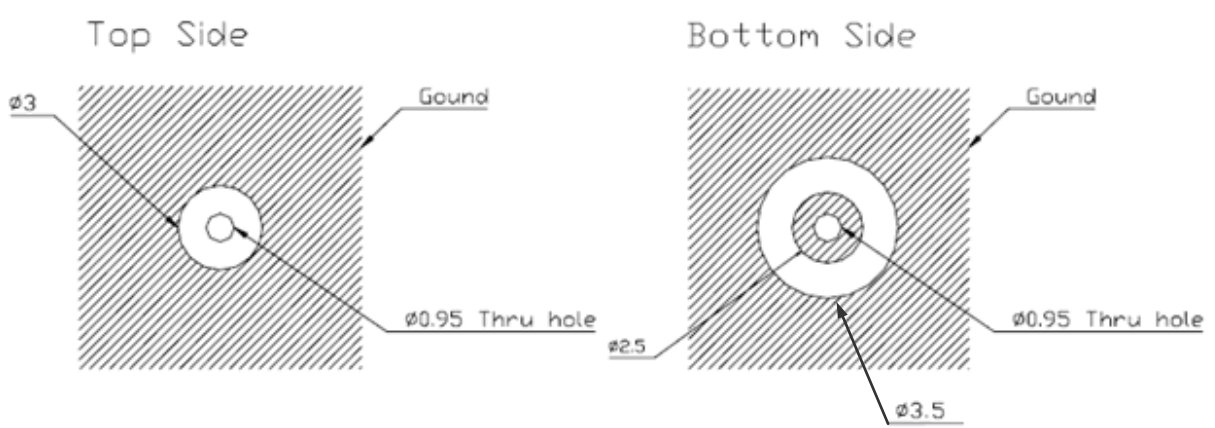


Bottom View

NOTES:
1. Double sided adhesive area. 

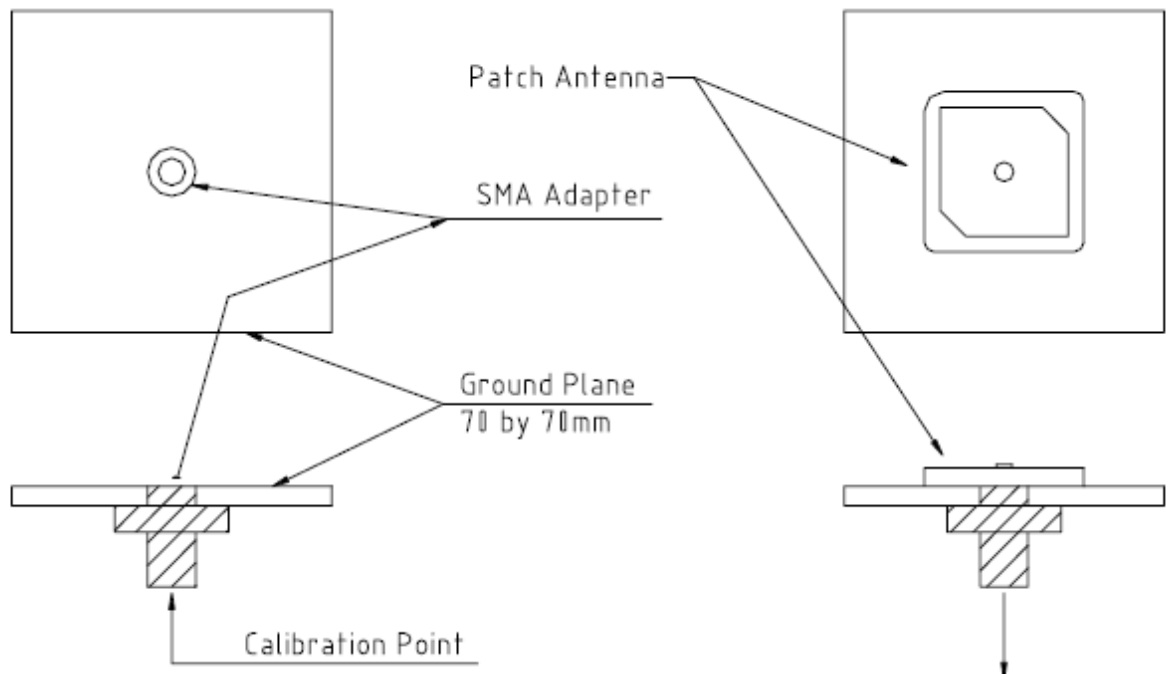
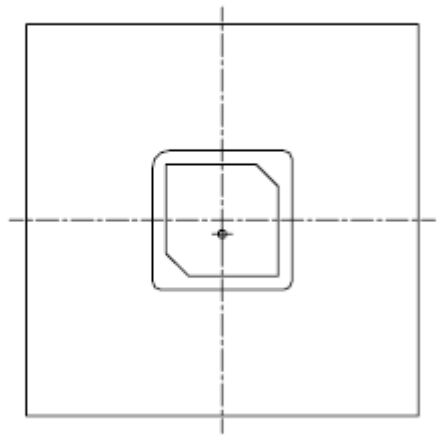
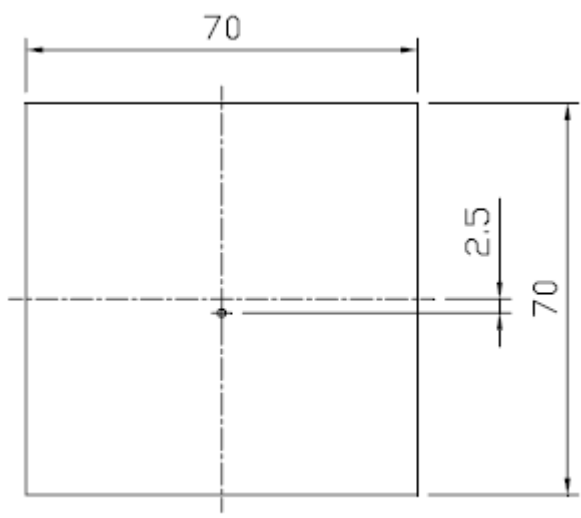
Unit : mm

6. PCB Footprint Recommendation



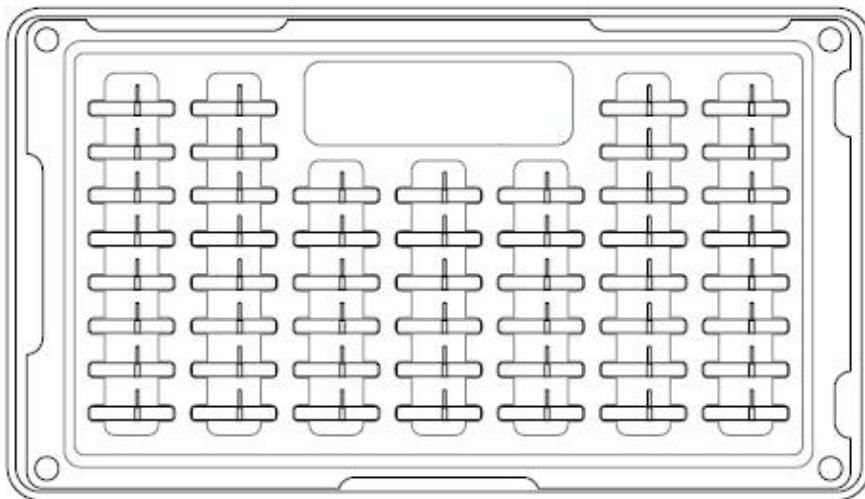
Unit : mm

7. Evaluation Board



8. Packaging

8.1. Inner Tray



200 pieces per tray

8.2. Carton

