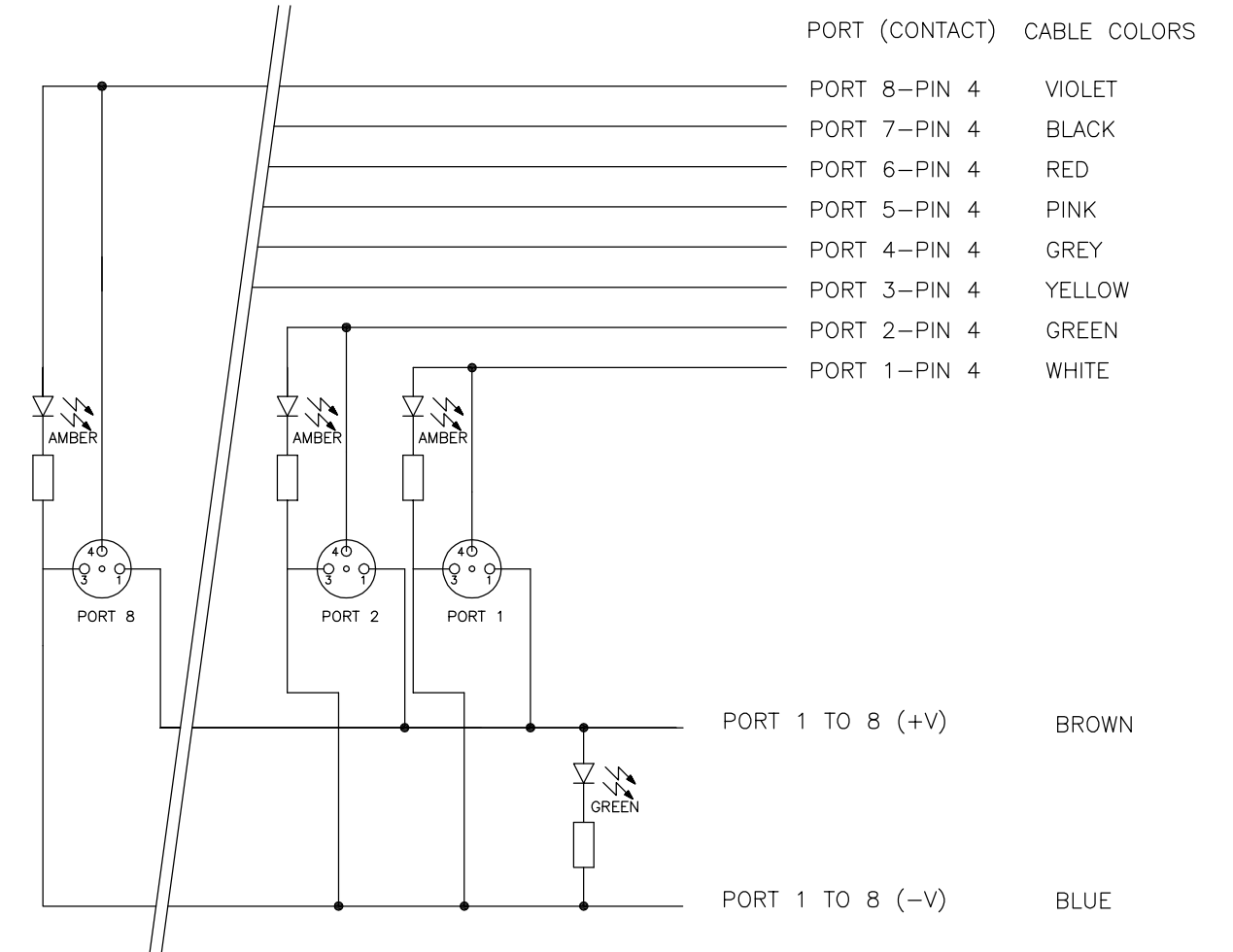
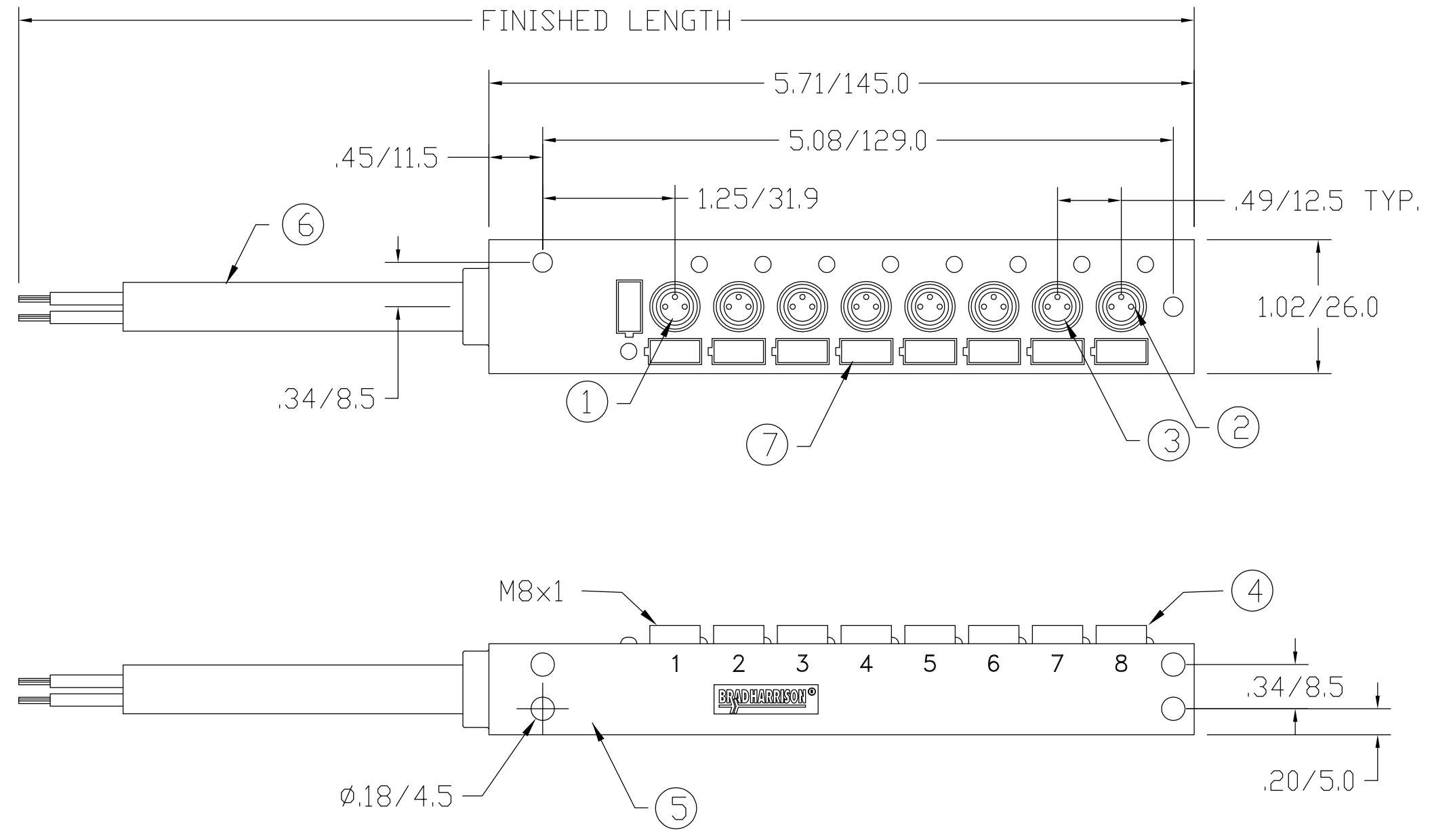
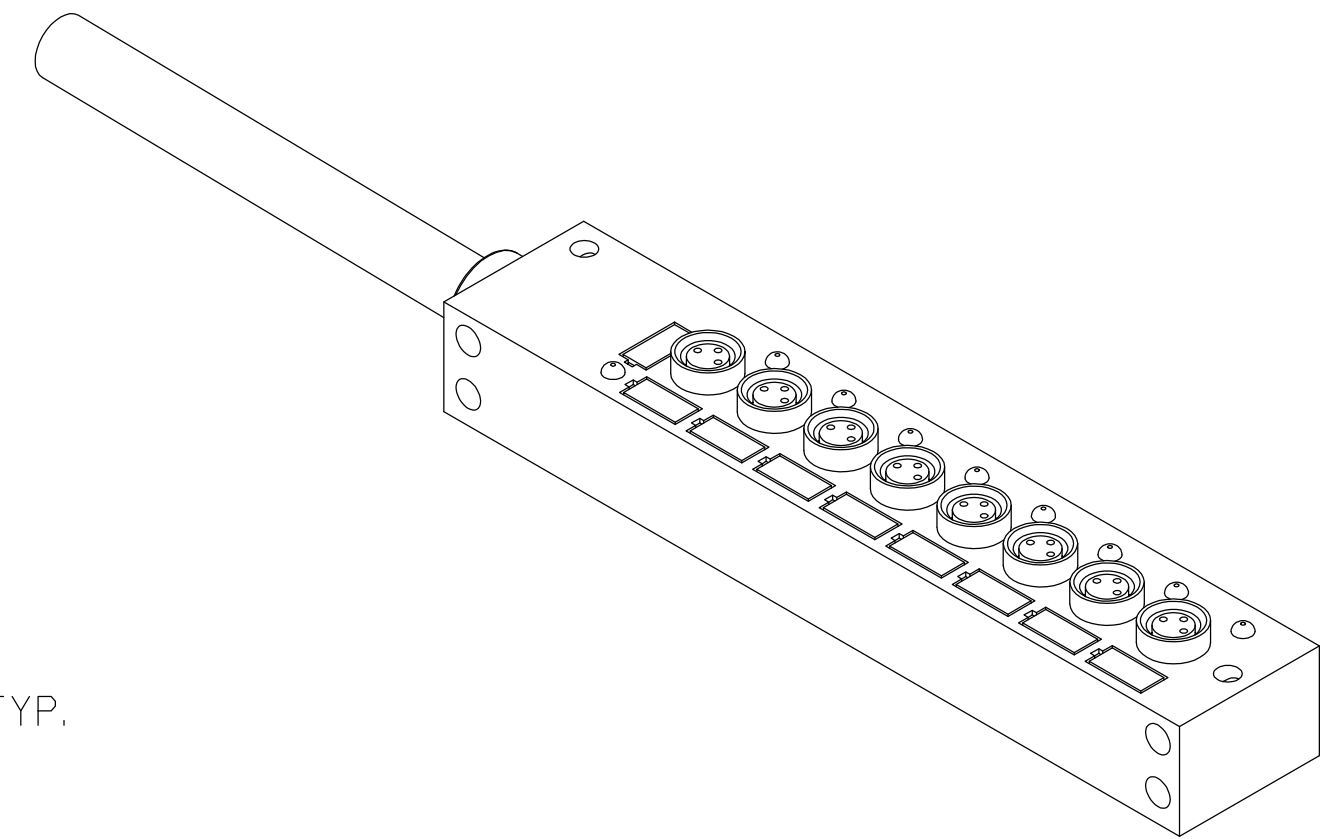


13	12	11	10	9	8	7	6	5	4	3	2	1
MATERIAL NUMBER	OLD PART NUMBER	FINISHED LENGTH										

120113-0014	BEY801P-FBP-05	16.40' +6.50" -0 [5.0M +165.1 -0]										
-------------	----------------	-----------------------------------	--	--	--	--	--	--	--	--	--	--



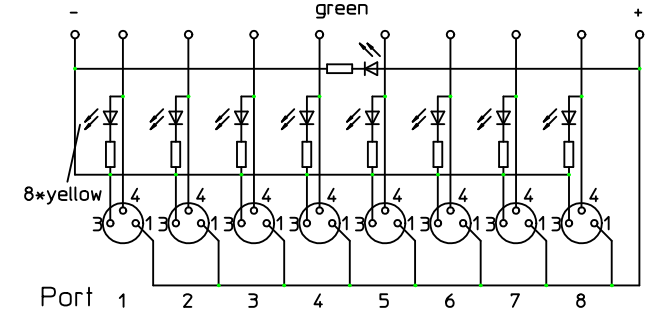
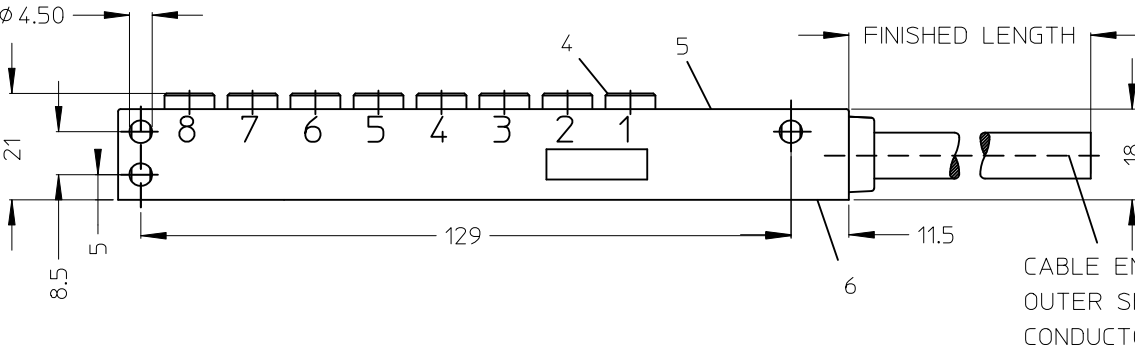
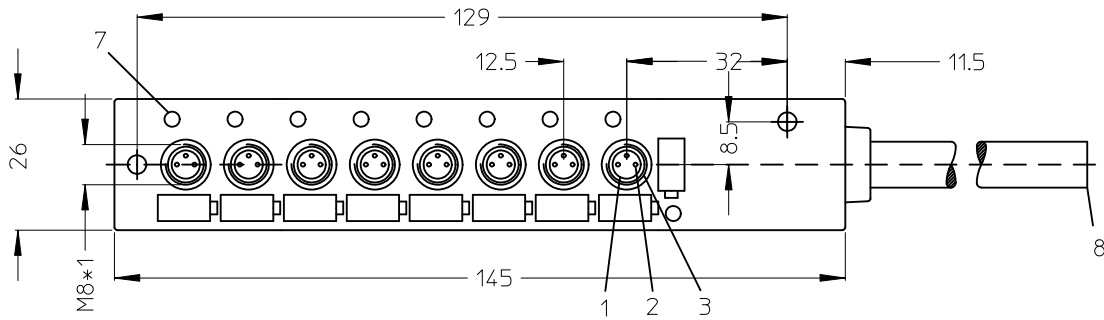
WIRING DIAGRAM

ITEM	COMPONENT	MATERIAL	FINISH
1	INSERT	POLYESTER	YELLOW
2	CONTACT SOCKET	COPPER ALLOY	GOLD OVER NICKEL
3	O-RING	VITON	RED
4	RECEPTACLE SHELL	BRASS	NICKEL PLATED
5	HOUSING	NYLON	YELLOW
6	CABLE- 18AWG, 2 CONDUCTOR; 22 AWG, 8 CONDUCTOR, 300V	PVC	YELLOW
7	LABEL	ABS	WHITE

VOLTAGE RATING	10-30 VDC
AMPERAGE RATING PER PORT	2 AMPS
PROTECTION	IP67
OPERATING TEMPERATURE	-20°C TO 90°C

RELEASE DRAWING EC NO: WEU2010-0058 DRWN: LHARTMAN 8/19/09 CH'KD: BWOODMAN 2009/08/21 APPR: JFMURPHY 2009/08/21	QUALITY SYMBOL	GENERAL TOLERANCES (UNLESS SPECIFIED)		DIMENSION STYLE		SCALE	DESIGN UNITS	THIRD ANGLE PROJECTION		
	$\nabla=0$ $\sphericalangle=0$	4 PLACES	mm	INCH	IN/MM		NTS	METRIC		
		3 PLACES	±----	±----	DRAWN BY	DATE	TITLE			
		2 PLACES	±----	±.01	LHARTMAN	2009/08/21	NANO-CHANGE MPIS 8 PORT PNP SIDE ENTRY 5 METER PUR CABLE			
	1 PLACE	±0.3	±----	CHECKED BY	DATE	MOLEX INCORPORATED				
		ANGULAR ±----°		APPROVED BY	DATE	MATERIAL NO. SEE CHART				
		DRAFT WHERE APPLICABLE MUST REMAIN WITHIN DIMENSIONS		MATERIAL NO.		DOCUMENT NO.		SHEET NO.		
A				SEE CHART		SD-120113-003		1 OF 1		
		THIS DRAWING CONTAINS INFORMATION THAT IS PROPRIETARY TO MOLEX INCORPORATED AND SHOULD NOT BE USED WITHOUT WRITTEN PERMISSION								

SAP-NUMBER	OLD PART NUMBER	FINISHED LENGTH
1201130014	BEY801P-FBP-05	5000
1201130015	BEY801P-FBP-10	10000



Contact configuration	wire colour	+	wire mm ²	Port	M8 connector Contact-No.
	brown	(+)	0.75	1-8	1
	blue	(-)	0.75	1-8	3
	white		0.34	1	4
	green		0.34	2	4
	yellow		0.34	3	4
	grey		0.34	4	4
	pink		0.34	5	4
	red		0.34	6	4
black		0.34	7	4	
violet		0.34	8	4	

CLOSURE CAP

SAP no. 1203080677
Quantity 2

VOLTAGE RATING	10 - 30 VDC
AMPERAGE RATING PER PORT	2 A MAX/PORT 6 A MAX. TOTAL
PROTECTION	IP 67
OPERATING TEMPERATURE	-25°C / +90 °C

ITEM	COMPONENT	MATERIAL	FINISH
1	INSERT	PUR	BLACK
2	CONTAC SOCKET	BRASS	GOLD OVER NICKEL
3	O-RING	VITON	---
4	RECEPTACLE SHELL	BRASS	NICKEL PLATED
5	HOUSING	PBT	YELLOW
6	LABEL	ABS	WHITE
7	LENS	PA	CLEAR
8	CABLE	PUR	---

NEW RELEASE
EC NO: WEU2010-0248
DRWN:SBH 2010/01/08
CHKD:APOHL WEU 2010/01/08
APPR:NSTAUDIGEL 2010/01/29

DESCRIPTION

QUALITY SYMBOLS
 = 0
 = 0

	GENERAL TOLERANCES (UNLESS SPECIFIED)	
	mm	INCH
4 PLACES	± ---	± ---
3 PLACES	± ---	± ---
2 PLACES	± ---	± ---
1 PLACE	± 0.3	± ---
ANGULAR ± ---°		

DRAFT WHERE APPLICABLE MUST REMAIN WITHIN DIMENSIONS

DIMENSION STYLE
MM ONLY

DRAWN BY: SBH
DATE: 2010/01/08

CHECKED BY: APOHL WEU
DATE: 2010/01/08

APPROVED BY: NSTAUDIGEL
DATE: 2010/01/29

MATERIAL NO.

SIZE: **A3**

SCALE: _____ DESIGN UNITS: **METRIC**

THIRD ANGLE PROJECTION

TITLE: **M8-MPIS 8 PORT CABLE
3 POL STRAIGHT OUTLINE**

molex MOLEX INCORPORATED

DOCUMENT NO. **SD-120113-016** SHEET NO. **1 OF 1**

THIS DRAWING CONTAINS INFORMATION THAT IS PROPRIETARY TO MOLEX INCORPORATED AND SHOULD NOT BE USED WITHOUT WRITTEN PERMISSION