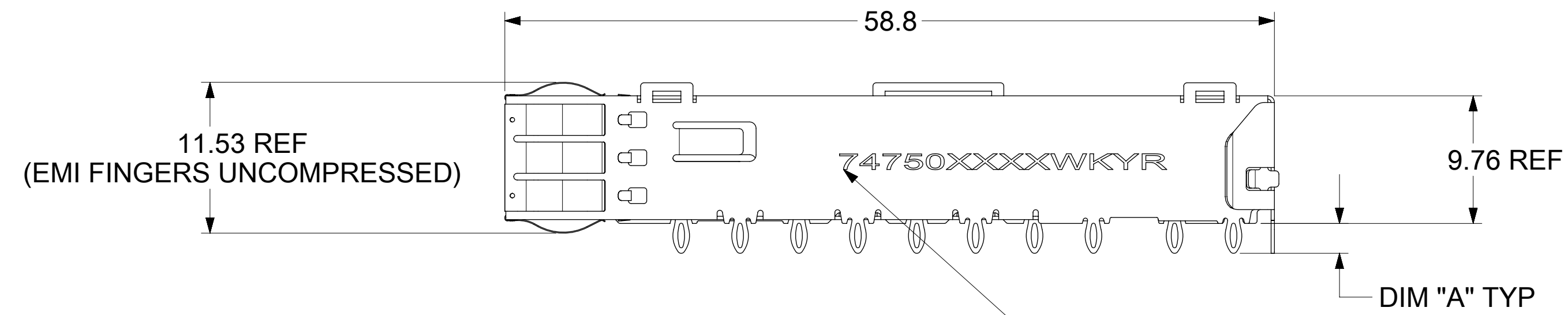
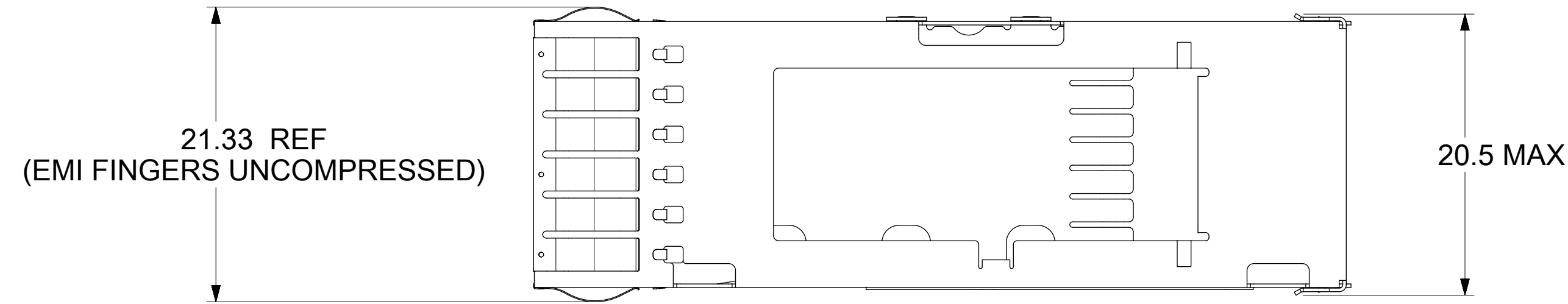


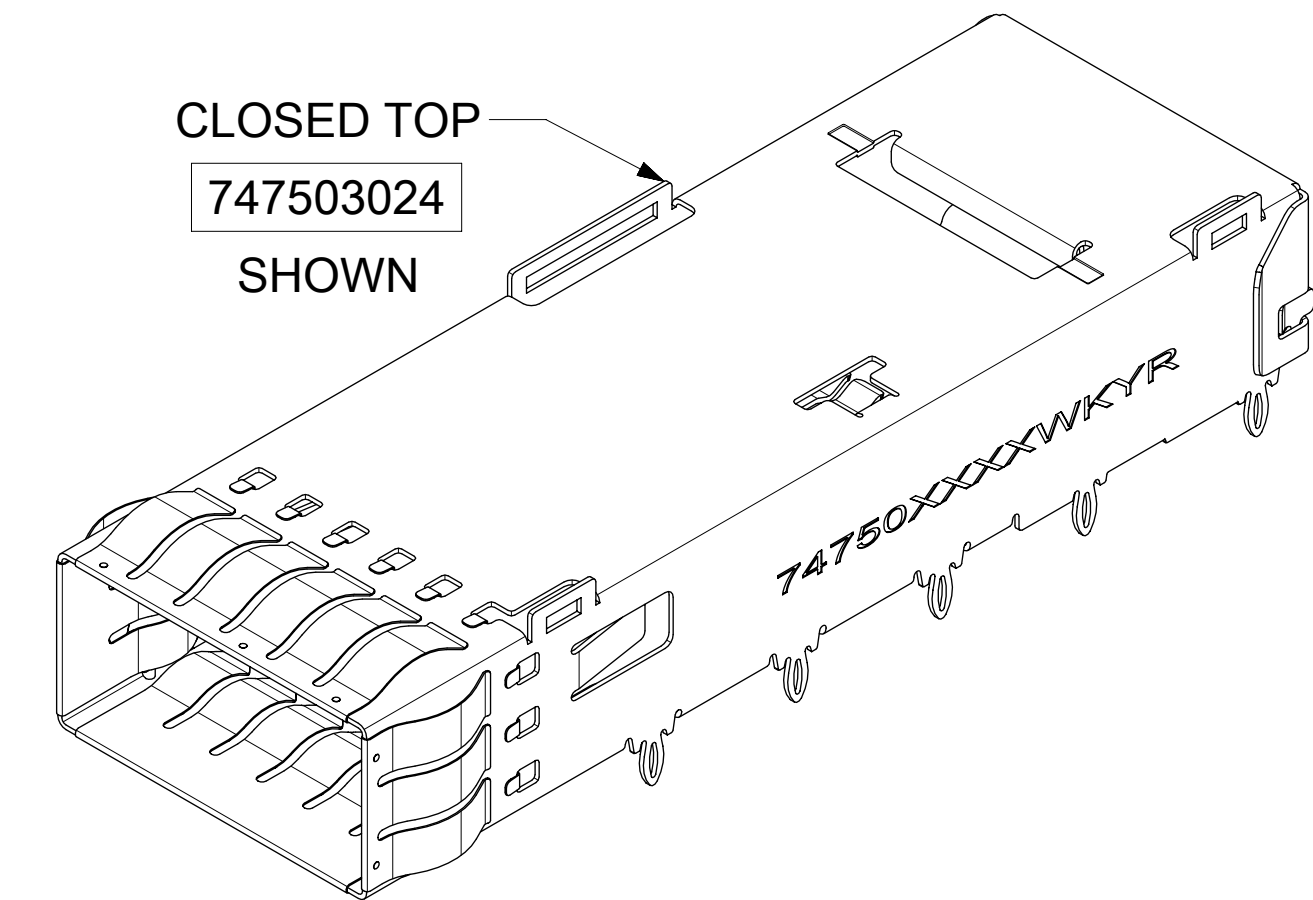
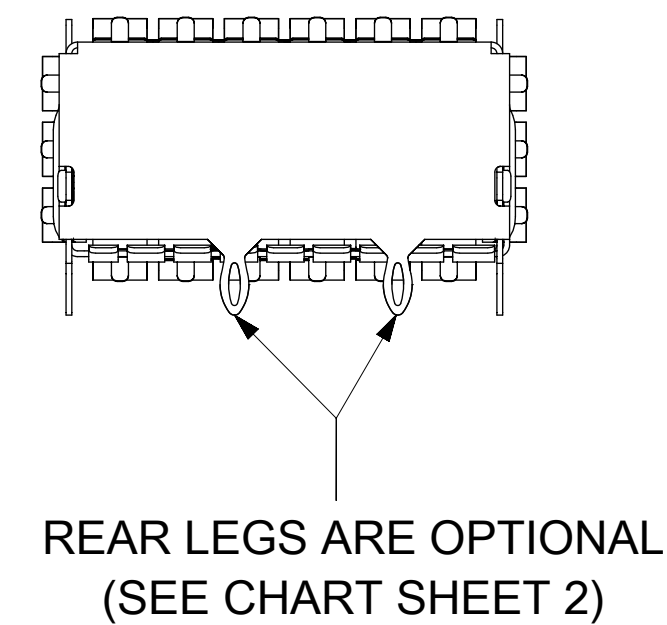
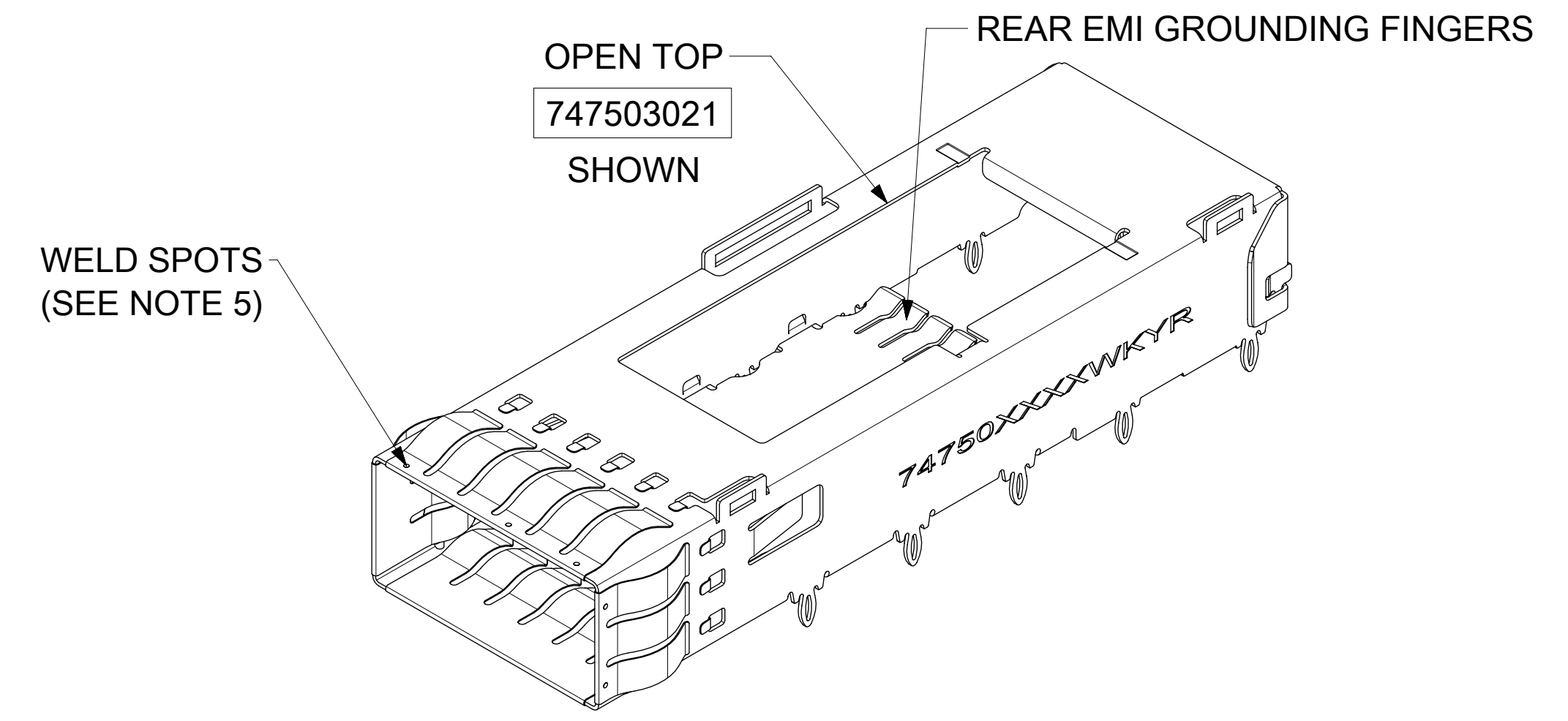
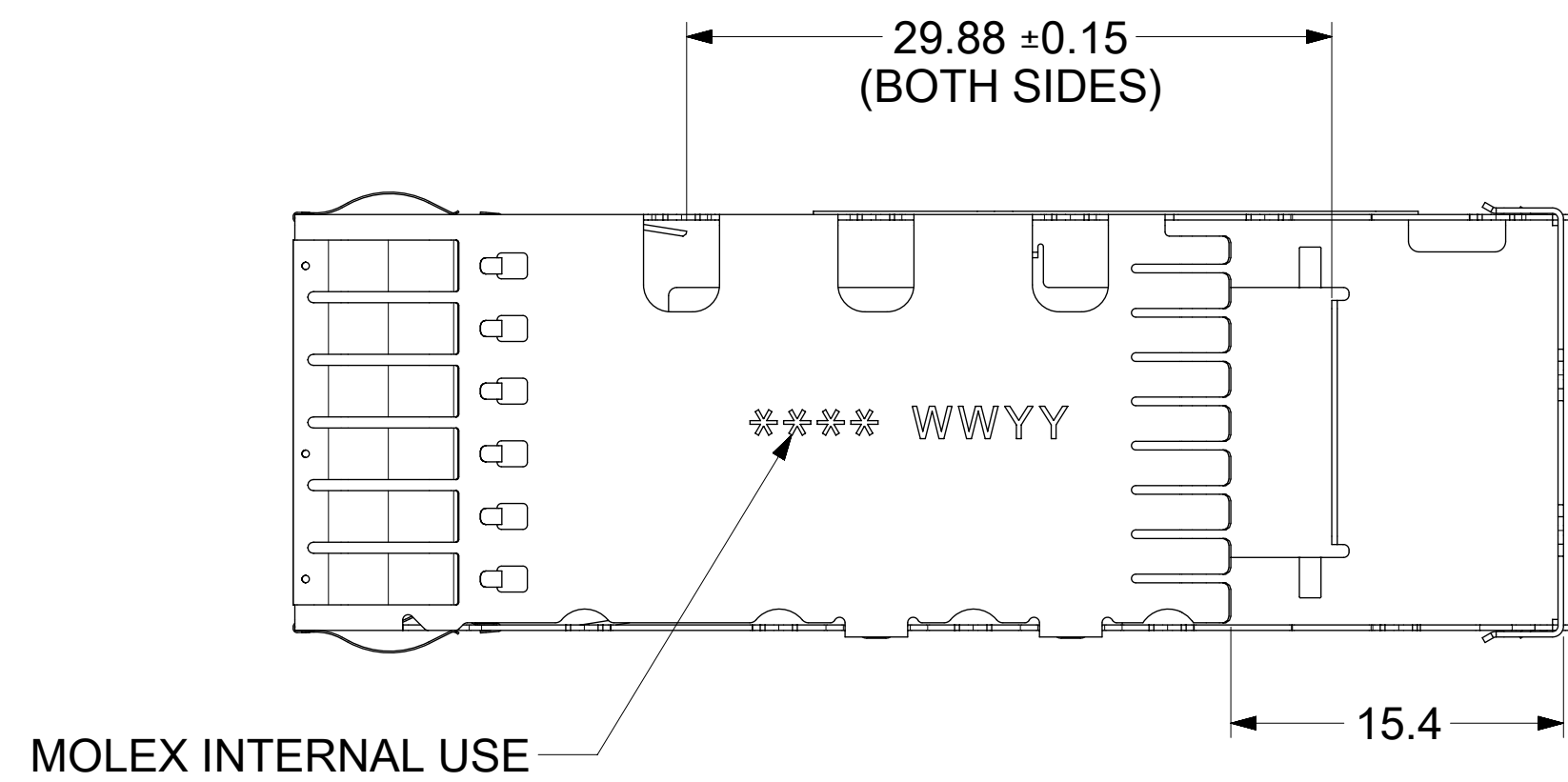
BASE CAGE DETAILS

(APPLIES TO ALL CAGES IN THIS DRAWING)



PART NO. AND WEEK/YEAR DATE CODE TO BE PRINTED ON SIDE OF COMPLETED CAGE ASSEMBLY AS SHOWN.

WEEK/YEAR DATE CODE TABLE	
WK	01 THRU 52 EXAMPLE: 01 = FIRST WEEK OF YEAR 52 = LAST WEEK OF YEAR
YR	22, 23, 24 (ETC. EXAMPLE: YEAR 2022 = 22)

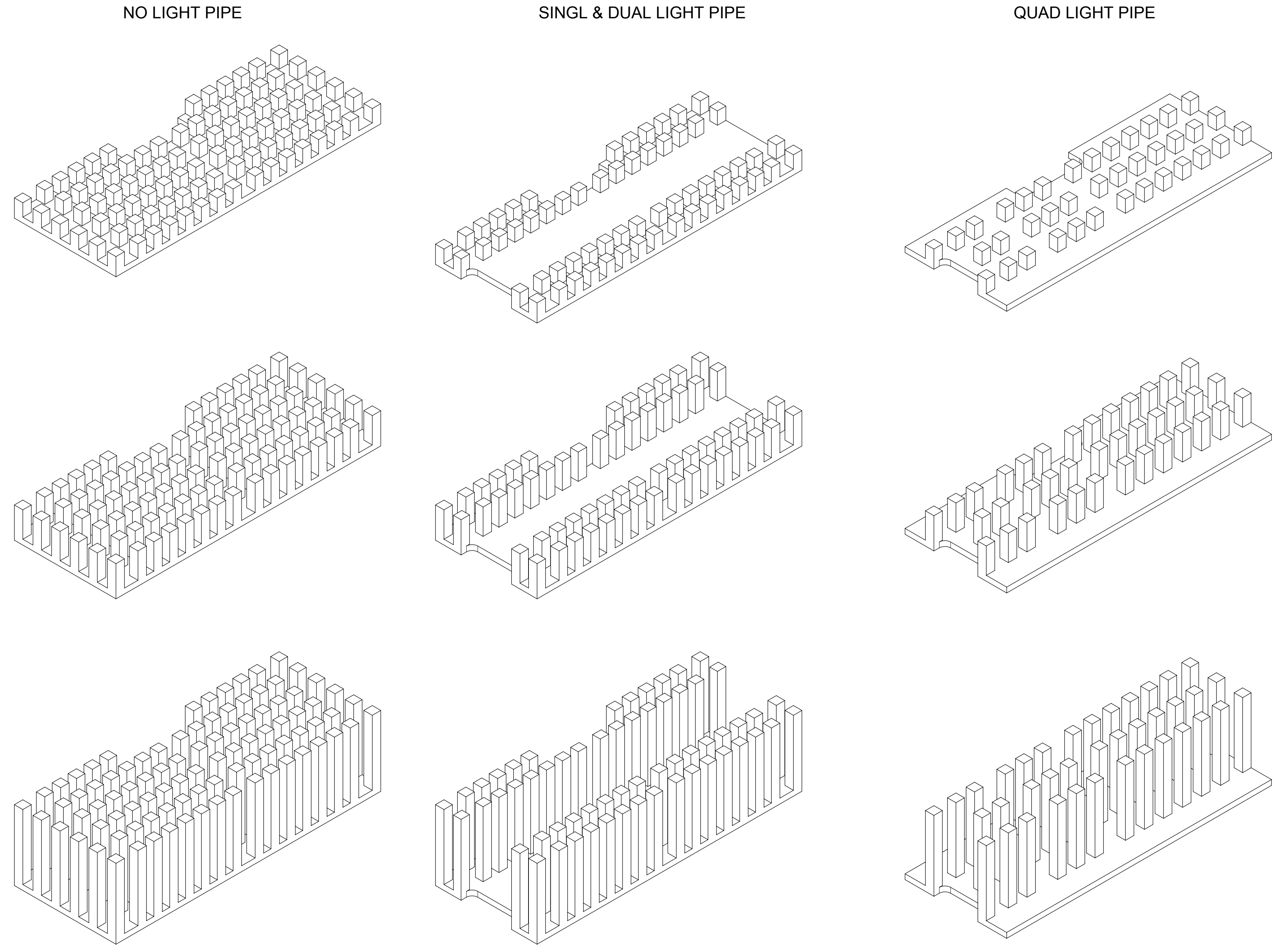
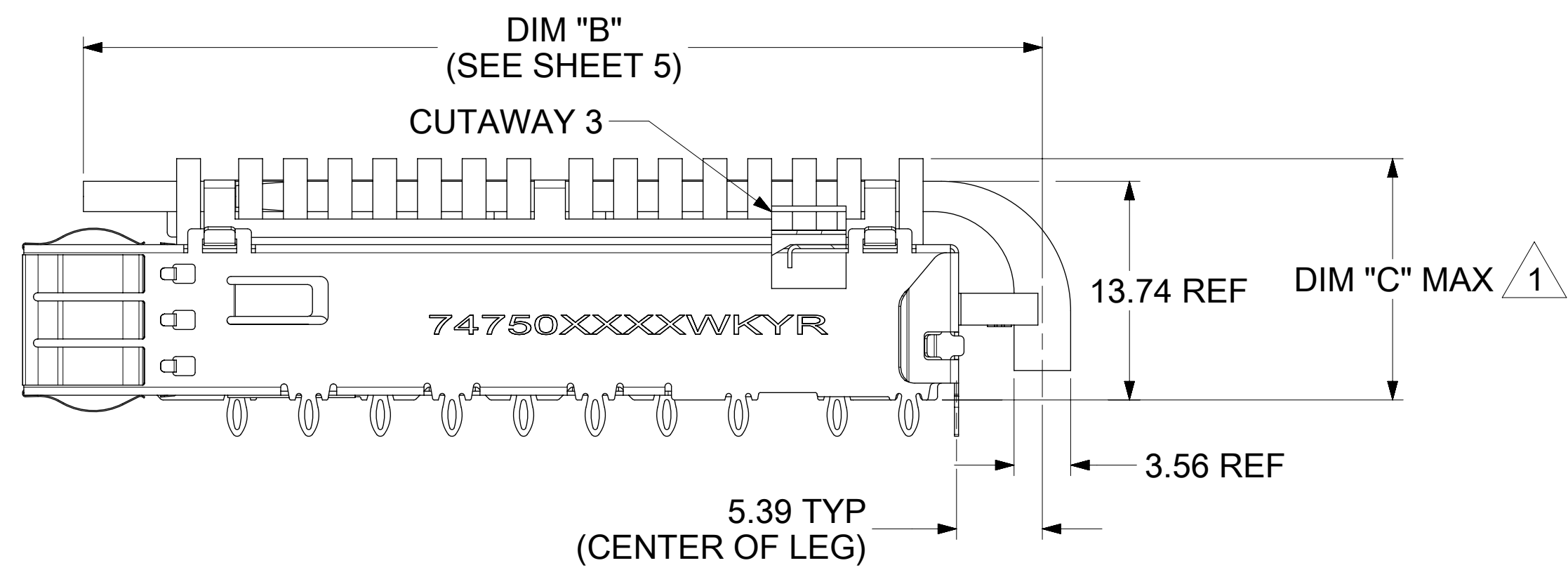


NOTES:

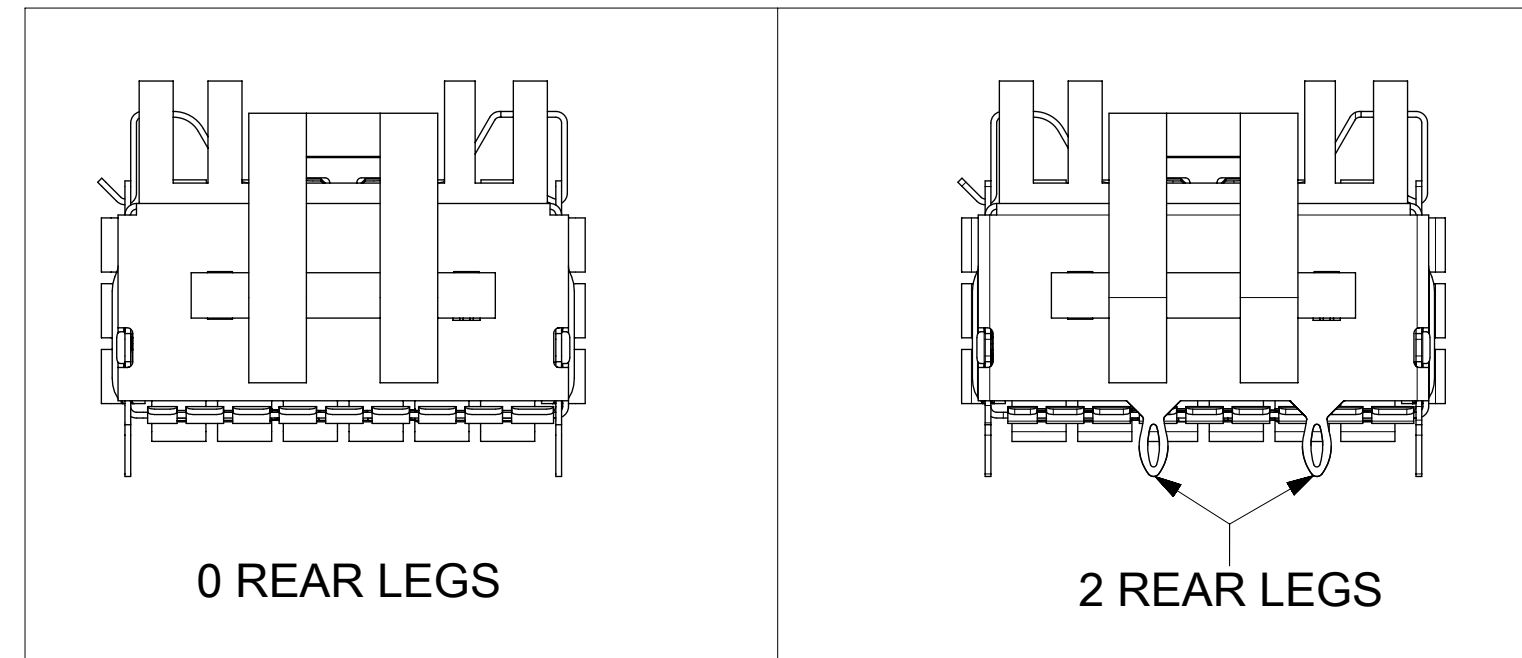
1. QSFP+ ASSEMBLIES ALSO AVAILABLE WITH 1X2 (74767 SERIES), 1X3 (74768 SERIES), 1X4 (74769 SERIES) AND 1X6 (74771 SERIES) CONFIGURATIONS.
2. MATERIAL:
 LIGHT PIPE/HEATSINK CLIP: STAINLESS STEEL
 LIGHT PIPES: POLYCARBONATE (UL 94-V-0 RATED)
 HEAT SINKS: BLACK ANNOXIDIZED ALUMINUM
 CAGE: STAINLESS STEEL
 SPRING FINGERS: STAINLESS STEEL
3. NO RoHS EXEMPTIONS
4. CUSTOM HEATSINKS AVAILABLE UPON REQUEST.
5. WELD SPOTS MAY SHOW SLIGHT MATERIAL DISCOLORATION.

FUNCTIONAL SYMBOLS $\nabla_A = 0$ $\nabla_C = 0$ $\nabla_D = 0$ DIVISIONAL SYMBOLS	THIS DRAWING CONTAINS INFORMATION THAT IS PROPRIETARY TO MOLEX ELECTRONIC TECHNOLOGIES, LLC AND SHOULD NOT BE USED WITHOUT WRITTEN PERMISSION		CURRENT REV DESC: SEE REV TABLE.		<p>QSFP+ 1X1 CAGE ASSEMBLY WITH SUS TAB TYPE SPRING FINGER</p> <p>PRODUCT CUSTOMER DRAWING</p>				
	DIMENSION UNITS	SCALE	EC NO: 723392						
	mm	4:1	DRWN: VISHNM2 2022/09/27						
	GENERAL TOLERANCES (UNLESS SPECIFIED)		CHK'D: DKUMARG 2022/10/03						
	ANGULAR TOL ± 1.0°		APPR: SCHIEN 2022/10/12						
4 PLACES ±		INITIAL REVISION:		DOCUMENT NUMBER	DOC TYPE	DOC PART	REVISION		
3 PLACES ±		DRWN: CHETHH2 2022/02/17		747503021		PSD	ASY	B	
2 PLACES ± 0.13		APPR: JCHIANG 2022/03/28		SEE P/N TABLE		GENERAL MARKET			
1 PLACE ± 0.25		DRAFT WHERE APPLICABLE MUST REMAIN WITHIN DIMENSIONS		THIRD ANGLE PROJECTION	DRAWING	SERIES	MATERIAL NUMBER	CUSTOMER	SHEET NUMBER
0 PLACES ±		D-D-SIZE		74750	SEE P/N TABLE		GENERAL MARKET		1 OF 11

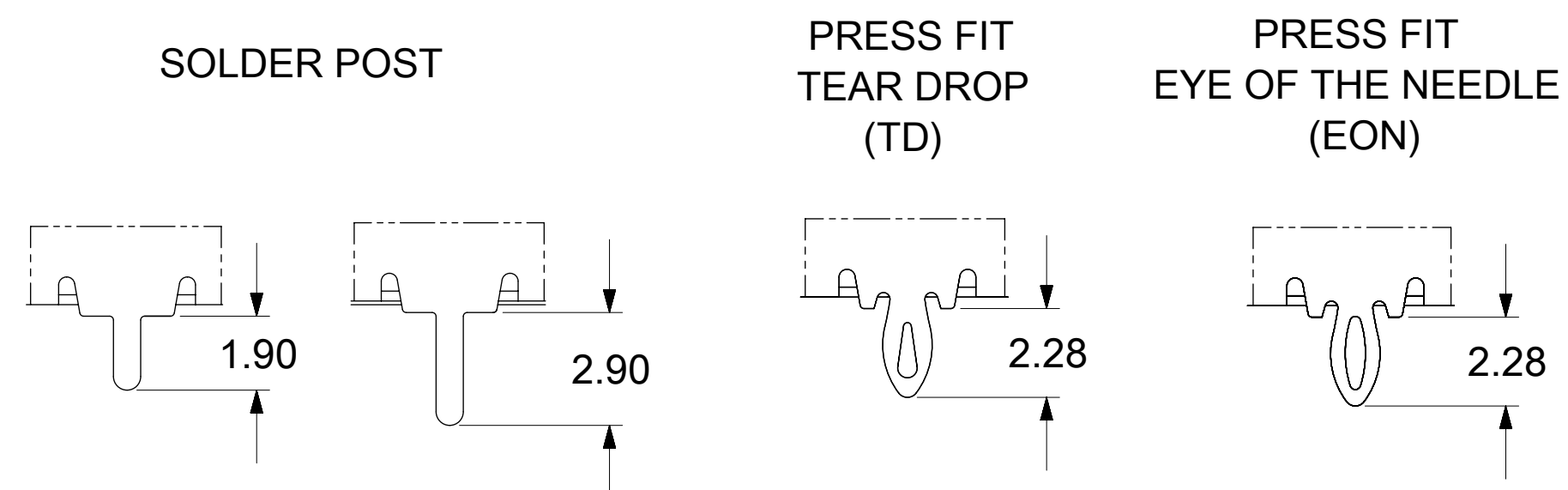
CAGE ASSEMBLY OPTIONS



REAR LEG OPTIONS



LEG OPTIONS



HEAT SINK HEIGHT OPTIONS

OVERALL HEAT SINK HEIGHT	DIM C
PCI	13.7
SAN	16.0
NET	23.0

FUNCTIONAL SYMBOLS $\nabla_A = 0$ $\nabla_C = 0$ $\nabla_D = 0$	THIS DRAWING CONTAINS INFORMATION THAT IS PROPRIETARY TO MOLEX ELECTRONIC TECHNOLOGIES, LLC AND SHOULD NOT BE USED WITHOUT WRITTEN PERMISSION.		SCALE: 3:1		CURRENT REV DESC: SEE REV TABLE.	
	DIMENSION UNITS: mm		GENERAL TOLERANCES (UNLESS SPECIFIED)		EC NO: 723392	
	ANGULAR TOL $\pm 1.0^\circ$		4 PLACES \pm		DRWN: VISHNM2 2022/09/27	
	3 PLACES \pm		2 PLACES ± 0.13		CHK'D: DKUMARG 2022/10/03	
1 PLACE ± 0.25		0 PLACES \pm		APPR: SCHIEN 2022/10/12		
DRAFT WHERE APPLICABLE MUST REMAIN WITHIN DIMENSIONS		THIRD ANGLE PROJECTION		INITIAL REVISION:		
DRW: CHETHH2 2022/02/17		APPR: JCHIANG 2022/03/28		DRW: CHETHH2 2022/02/17		
APPR: JCHIANG 2022/03/28		DRAWING: D-SIZE		SERIES: 74750		
MATERIAL NUMBER: SEE P/N TABLE		CUSTOMER: GENERAL MARKET		DOCUMENT NUMBER: 747503021		
DOC TYPE: PSD		DOC PART: ASY		REVISION: B		
SHEET NUMBER: 2 OF 11		CUSTOMER: GENERAL MARKET		PRODUCT CUSTOMER DRAWING		

molex

QSFP+ 1X1 CAGE ASSEMBLY WITH SUS TAB TYPE SPRING FINGER

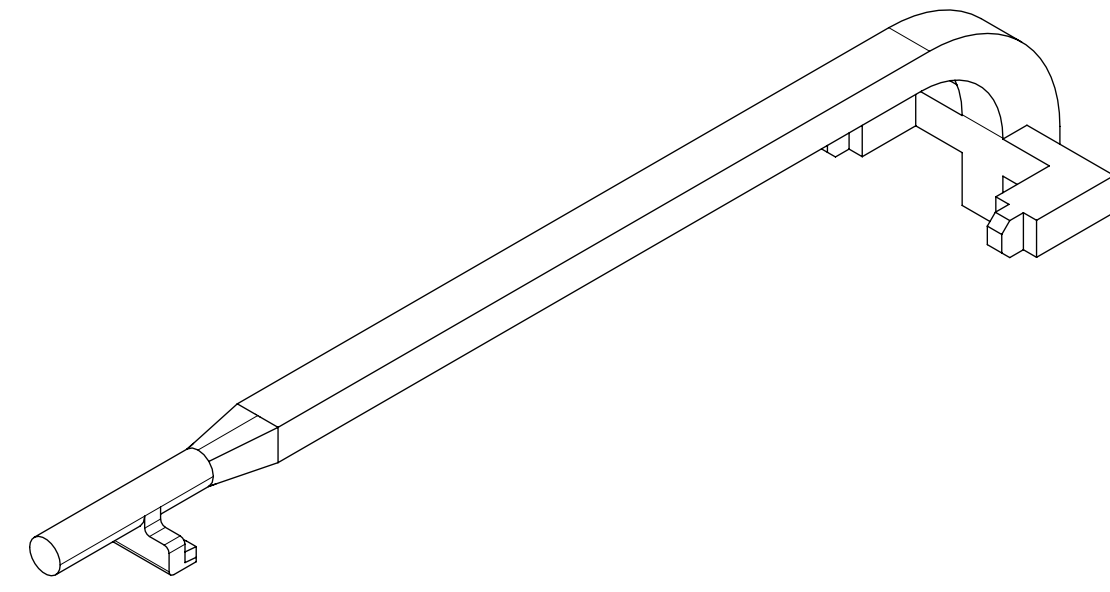
PRODUCT CUSTOMER DRAWING

DOCUMENT NUMBER: 747503021 | DOC TYPE: PSD | DOC PART: ASY | REVISION: B

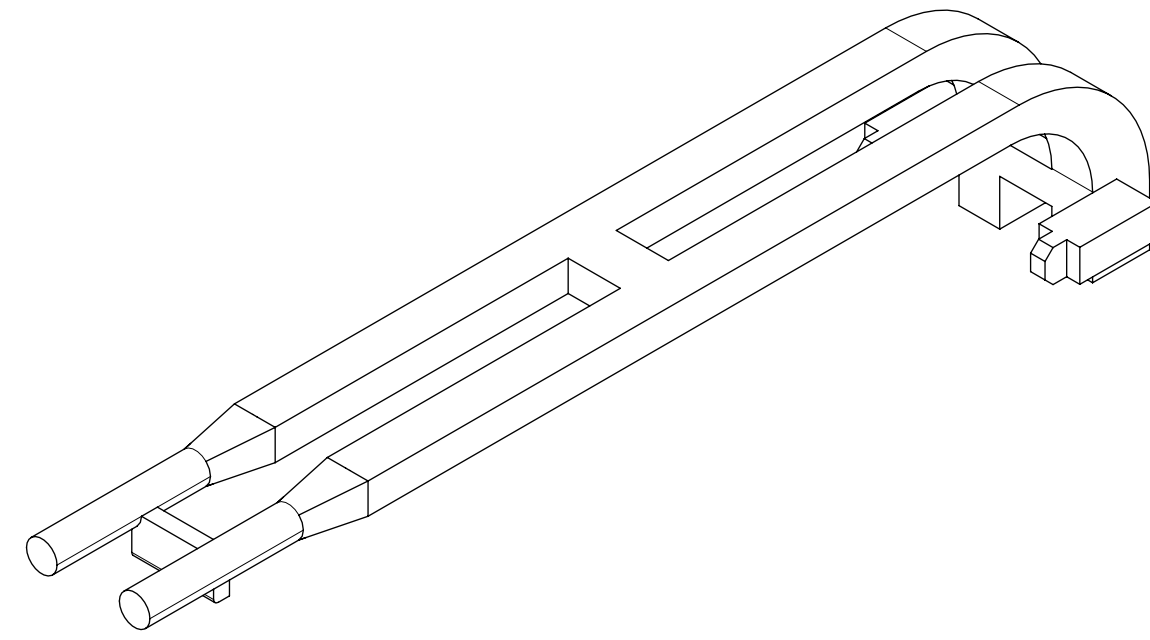
1 HEIGHT OF HEATSINK WITH MODULE INSERTED. DIMENSION MAY BE LESS DUE TO MODULE AND HEATSINK VARIATIONS.

CAGE ASSEMBLY OPTIONS (CONT.)

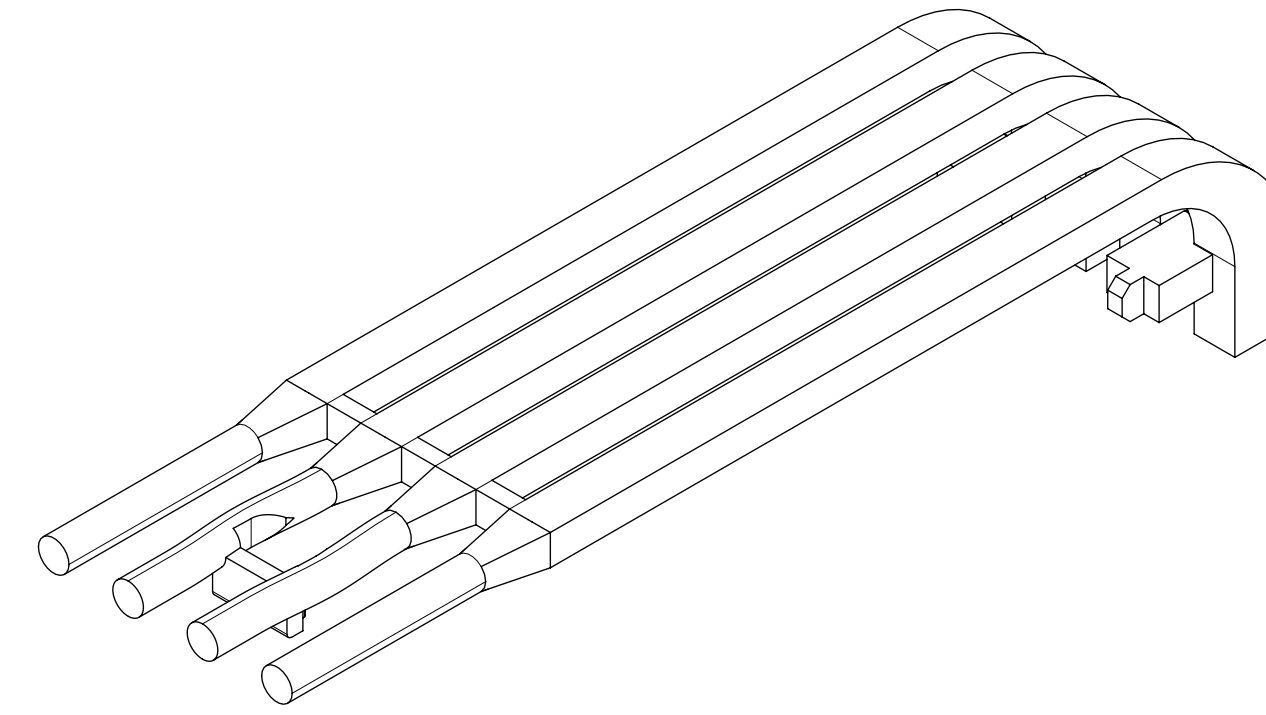
SINGLE LIGHT PIPE



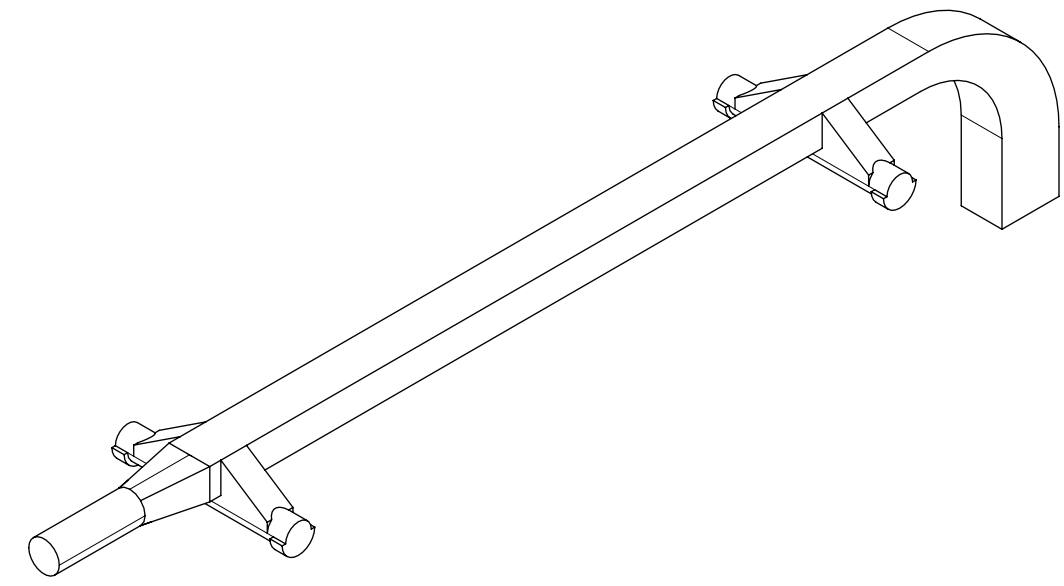
DUAL LIGHT PIPE



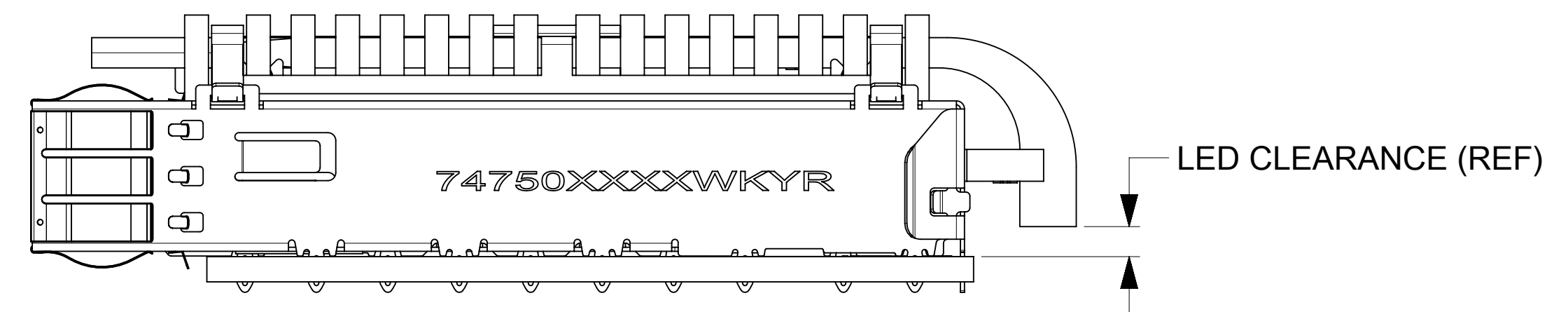
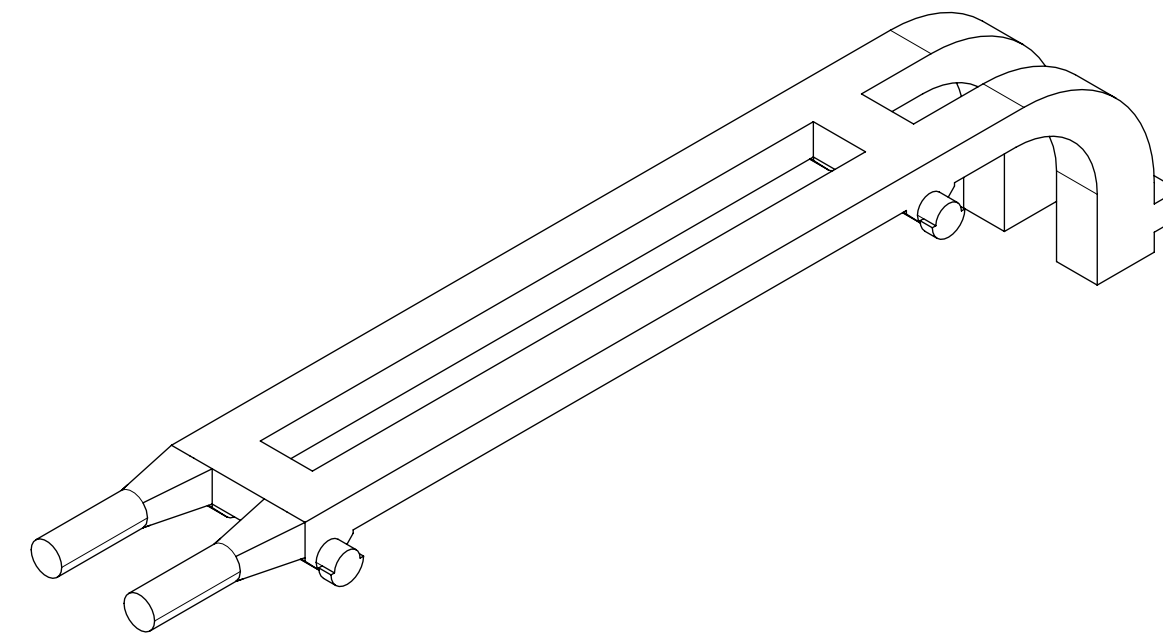
QUAD LIGHT PIPE



SINGLE LIGHT PIPE



DUAL LIGHT PIPE



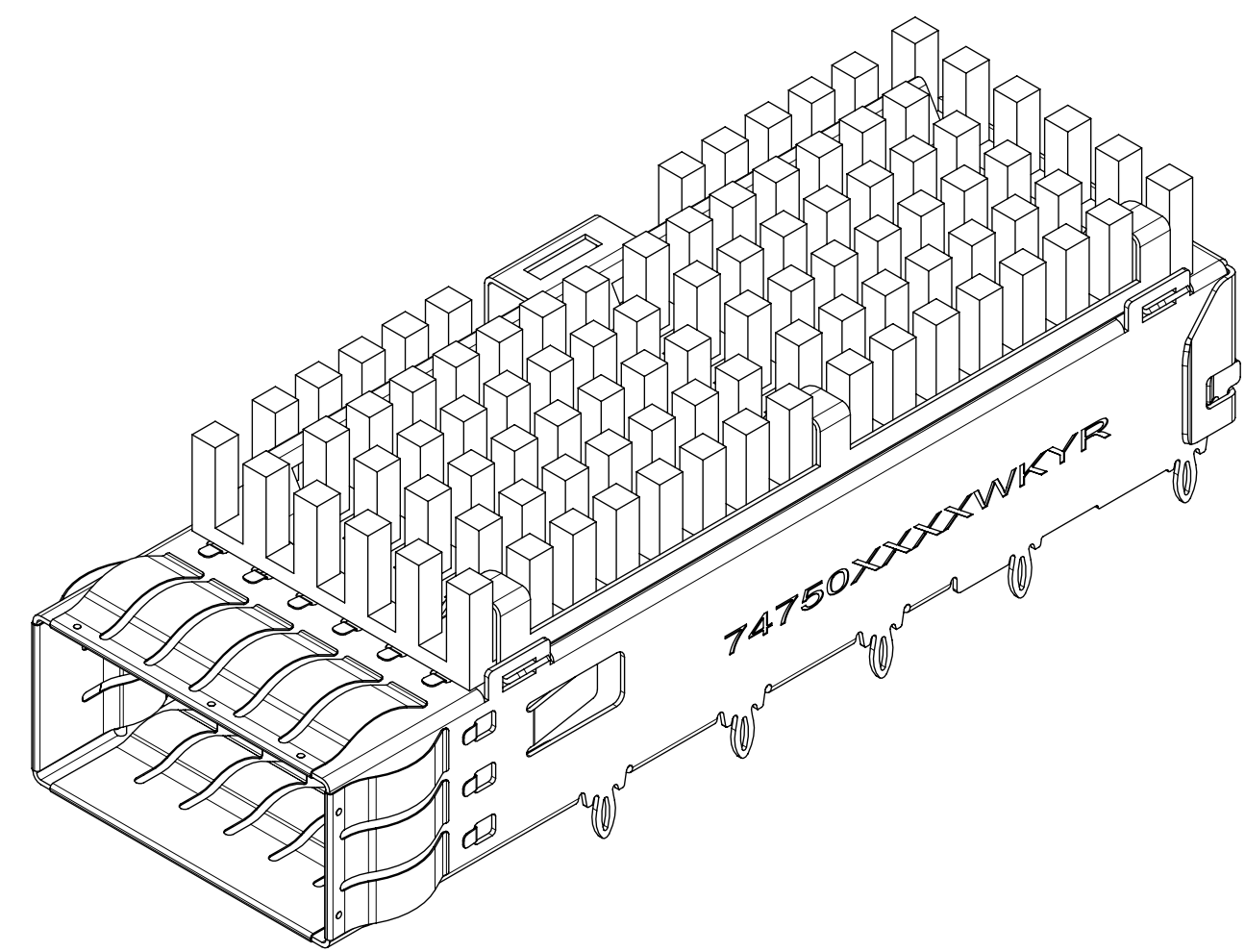
LIGHT PIPE	LED CLEARANCE (REF)
SINGLE	1.86
SINGLE	1.86
DUAL	1.86
DUAL	1.86
QUAD	1.86

FUNCTIONAL SYMBOLS $\nabla_A = 0$ $\nabla_C = 0$ $\nabla_D = 0$	THIS DRAWING CONTAINS INFORMATION THAT IS PROPRIETARY TO MOLEX ELECTRONIC TECHNOLOGIES, LLC AND SHOULD NOT BE USED WITHOUT WRITTEN PERMISSION		CURRENT REV DESC: SEE REV TABLE.				
	DIMENSION UNITS: mm SCALE: 3:1	GENERAL TOLERANCES (UNLESS SPECIFIED) ANGULAR TOL $\pm 1.0^\circ$					
	DIVISIONAL SYMBOLS 4 PLACES \pm 3 PLACES \pm 2 PLACES ± 0.13 1 PLACE ± 0.25 0 PLACES \pm	INITIAL REVISION: DRWN: CHETHH2 2022/02/17 APPR: JCHIANG 2022/03/28		DOCUMENT NUMBER 747503021	DOC TYPE PSD	DOC PART ASY	REVISION B
	DRAFT WHERE APPLICABLE MUST REMAIN WITHIN DIMENSIONS	THIRD ANGLE PROJECTION 	DRAWING D-SIZE	SERIES 74750	MATERIAL NUMBER SEE P/N TABLE	CUSTOMER GENERAL MARKET	SHEET NUMBER 3 OF 11

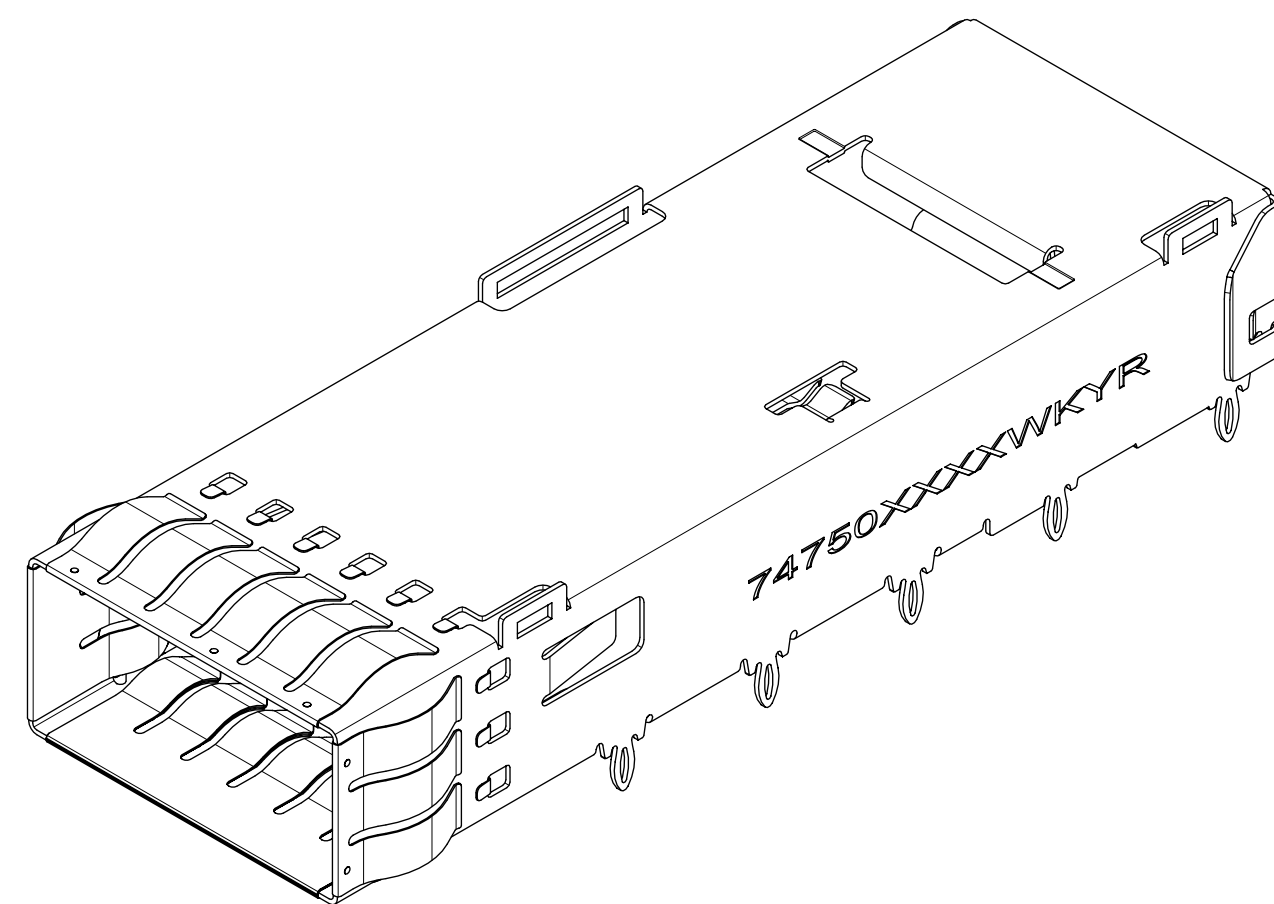
NOTE:
1) FOR HEATSINK OPTIONS SEE SHEET 2.

DOCUMENT STATUS	P1	RELEASE DATE	2022/10/12	10:55:32
-----------------	----	--------------	------------	----------

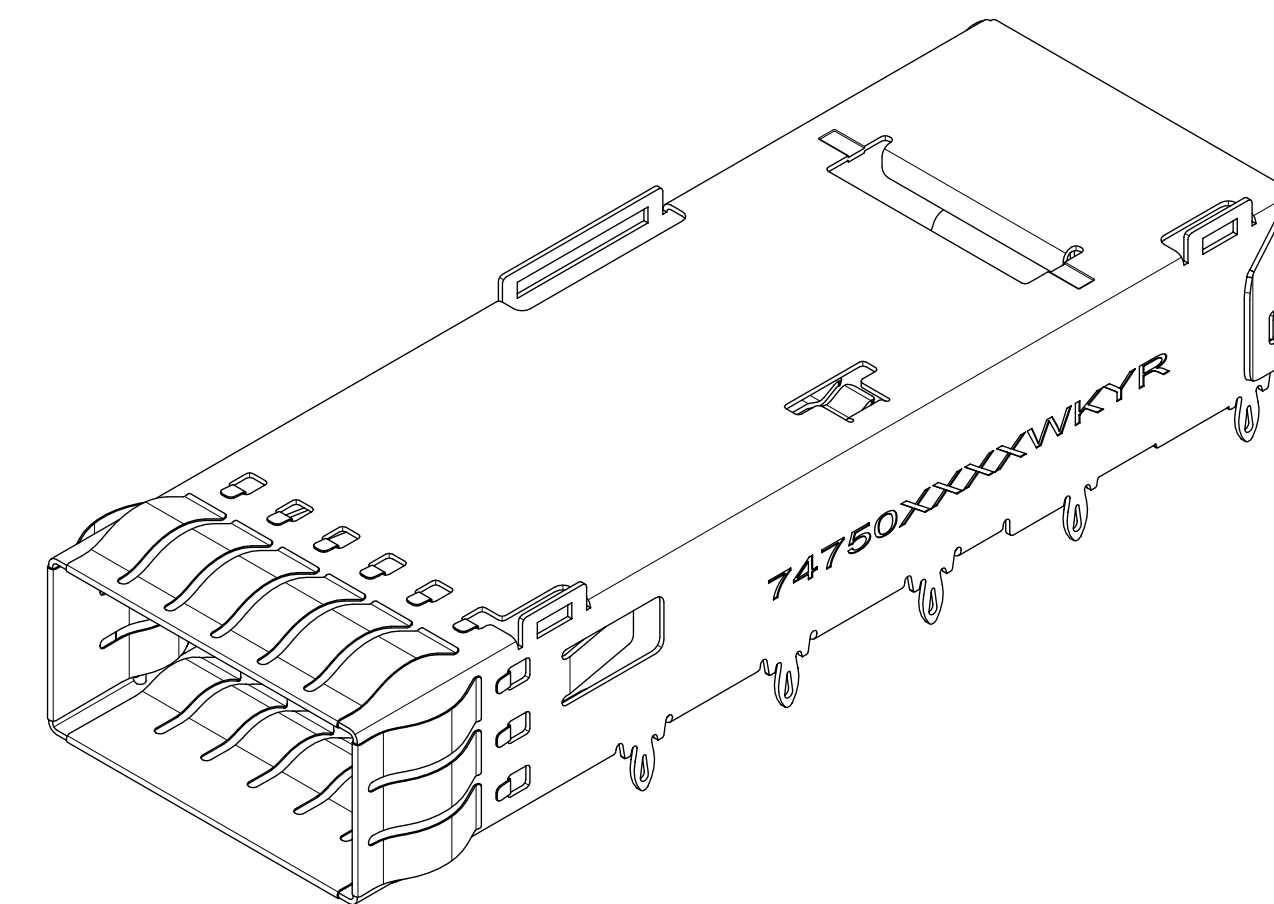
PART NUMBER SELECTION



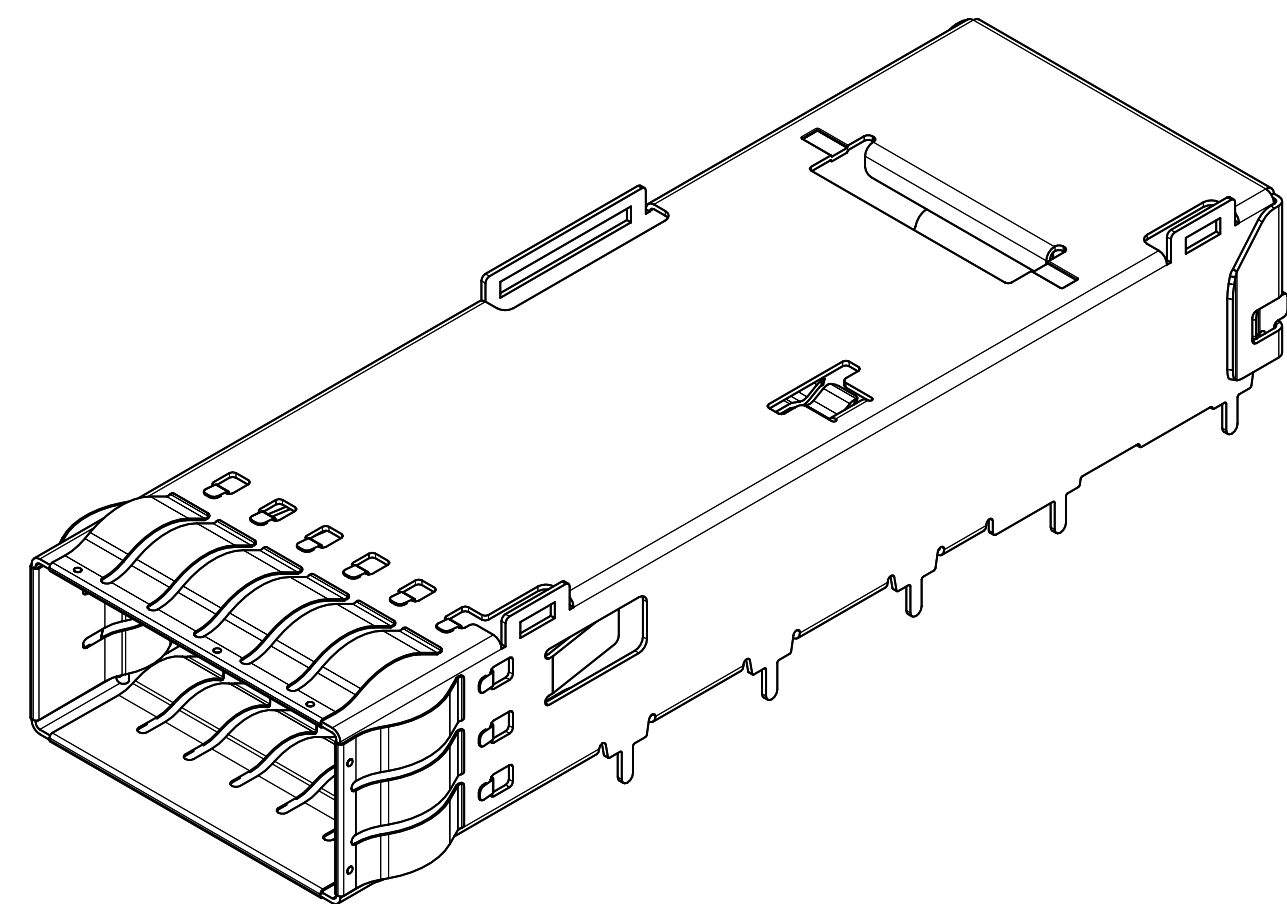
MOLEX P/N	HS	# OF REAR LEGS PER PORT	LEG TYPE	DIM "A"	PLATING
747503040	SAN	2	PRESS FIT-EON	2.28	NICKEL
747503044	PCI	2	PRESS FIT-EON	2.28	NICKEL
747503046	NET	2	PRESS FIT-EON	2.28	NICKEL



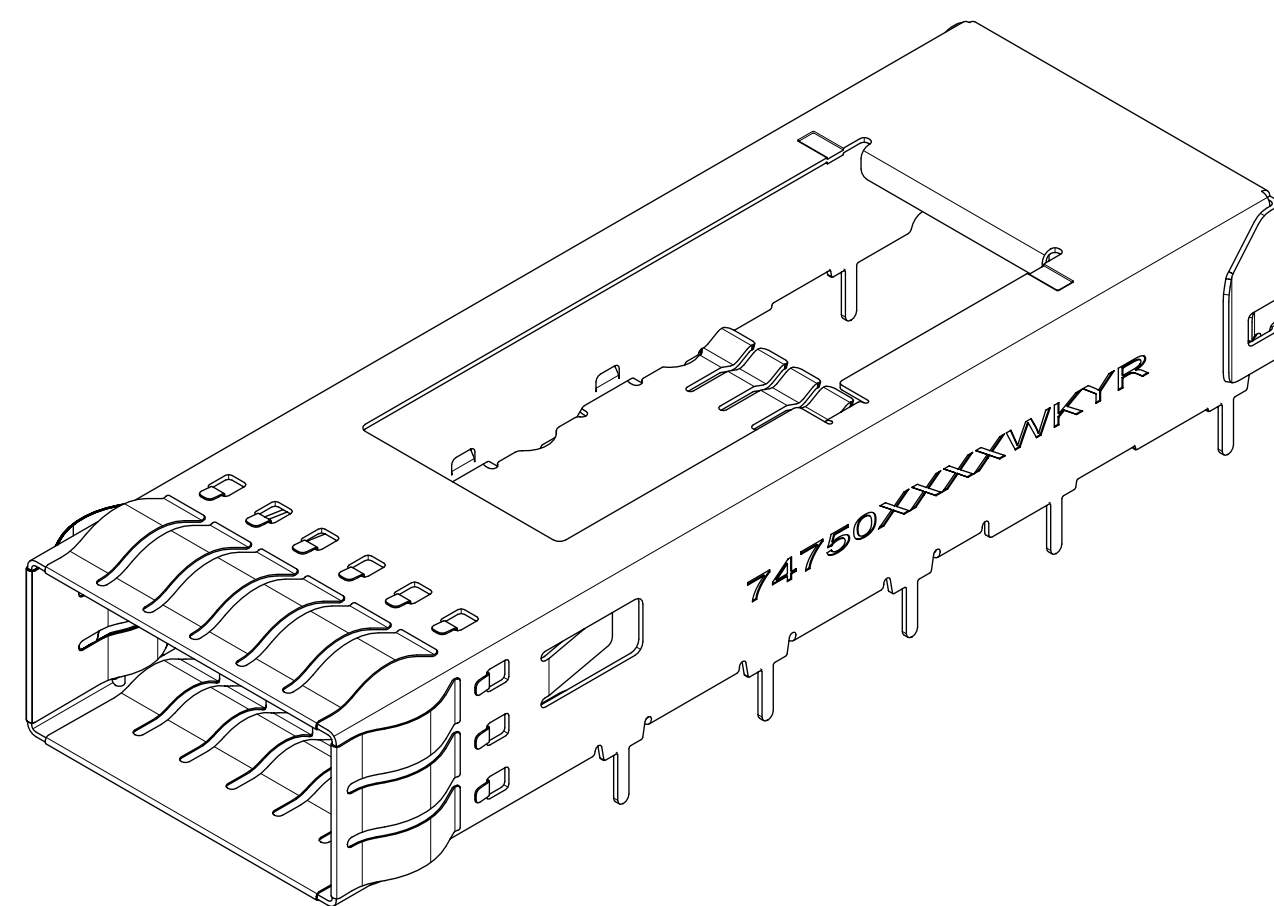
MOLEX P/N	# OF REAR LEGS PER PORT	LEG TYPE	DIM "A"	PLATING
747503024	2	PRESS FIT-EON	2.28	NICKEL



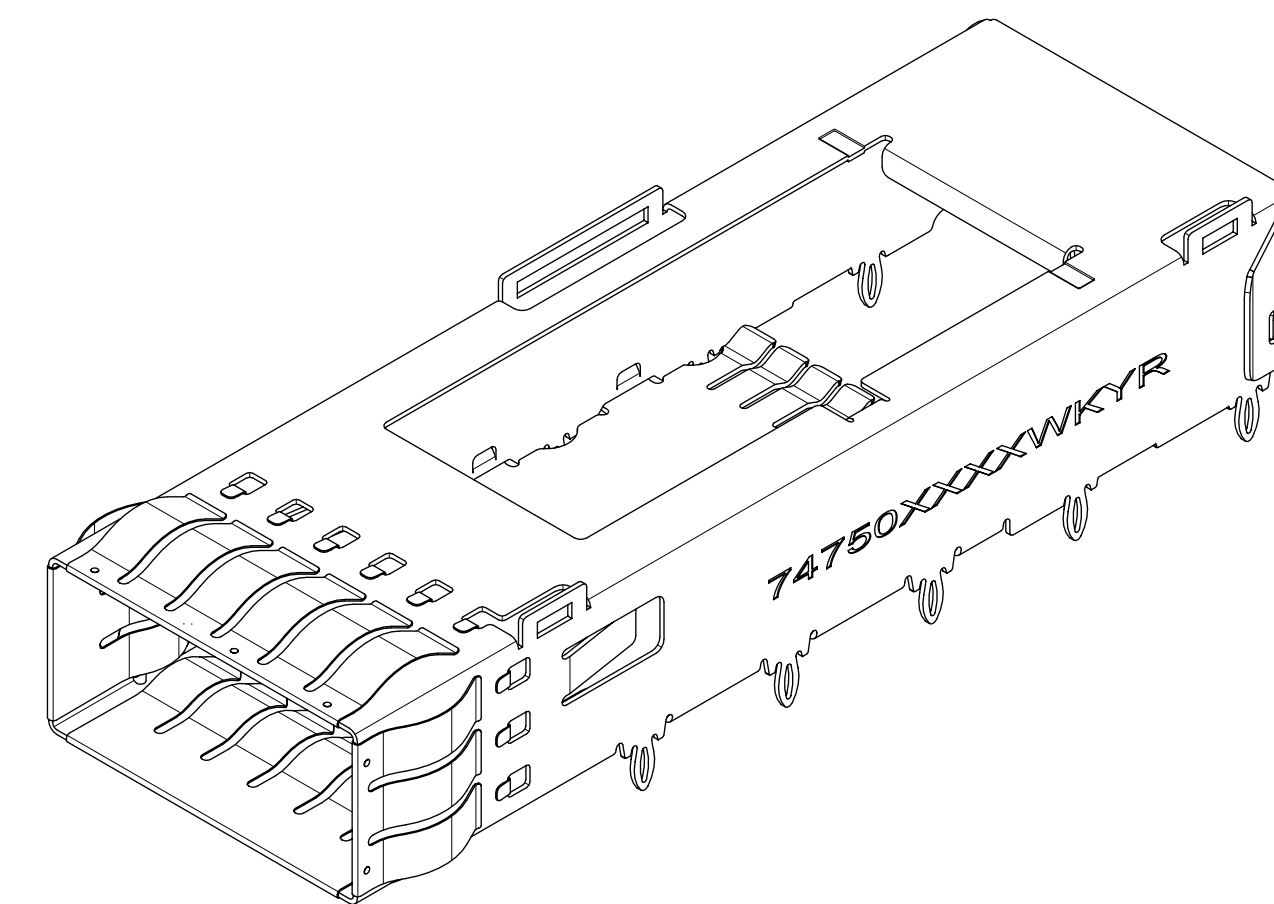
MOLEX P/N	# OF REAR LEGS PER PORT	LEG TYPE	DIM "A"	PLATING
747503102	2	PRESS FIT-TD	2.28	NICKEL



MOLEX P/N	# OF REAR LEGS PER PORT	LEG TYPE	DIM "A"	PLATING
747503051	2	SOLDER POST	1.90	NICKEL



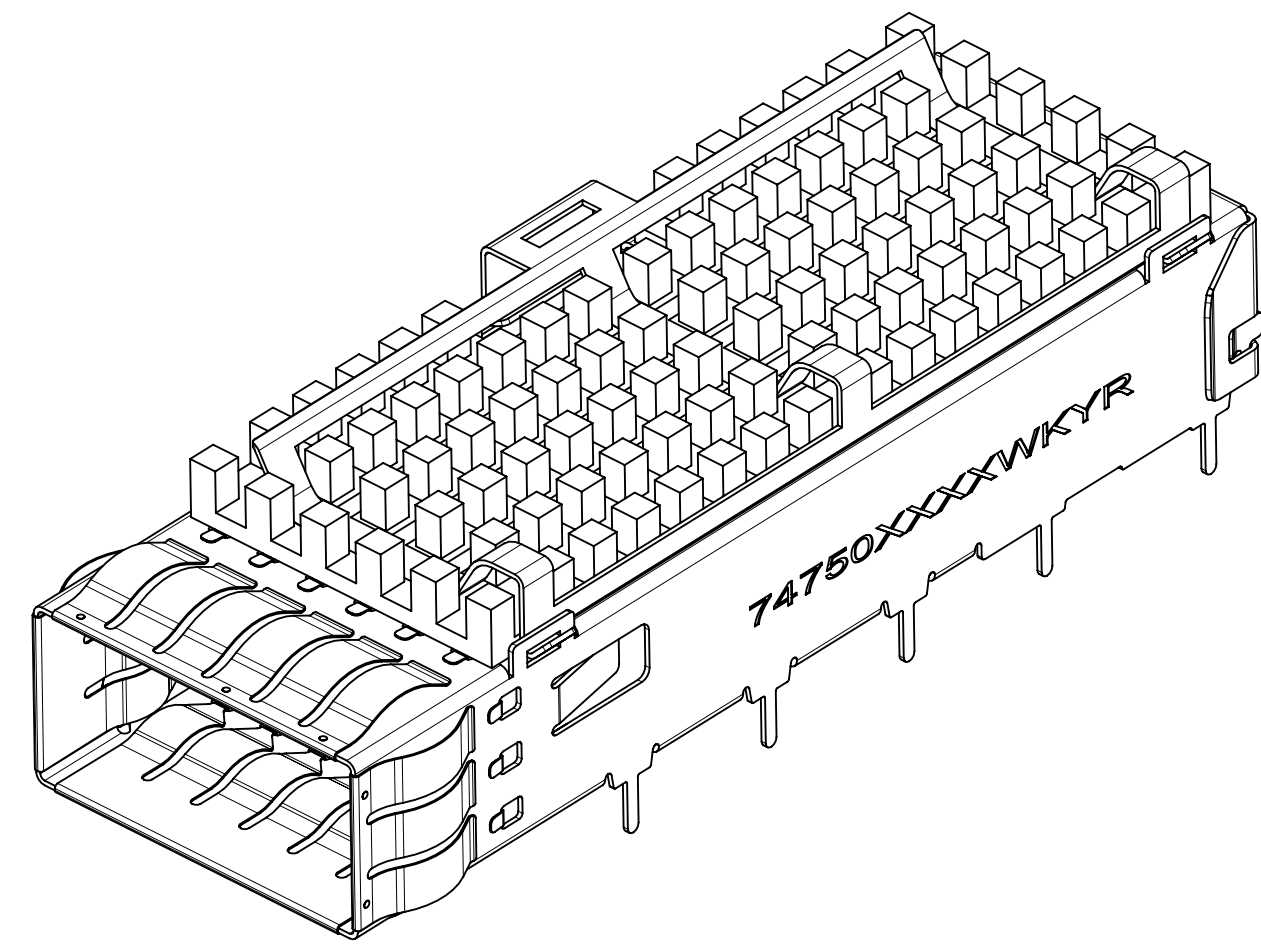
MOLEX P/N	# OF REAR LEGS PER PORT	LEG TYPE	DIM "A"	PLATING
747503062	2	SOLDER POST	2.90	NICKEL



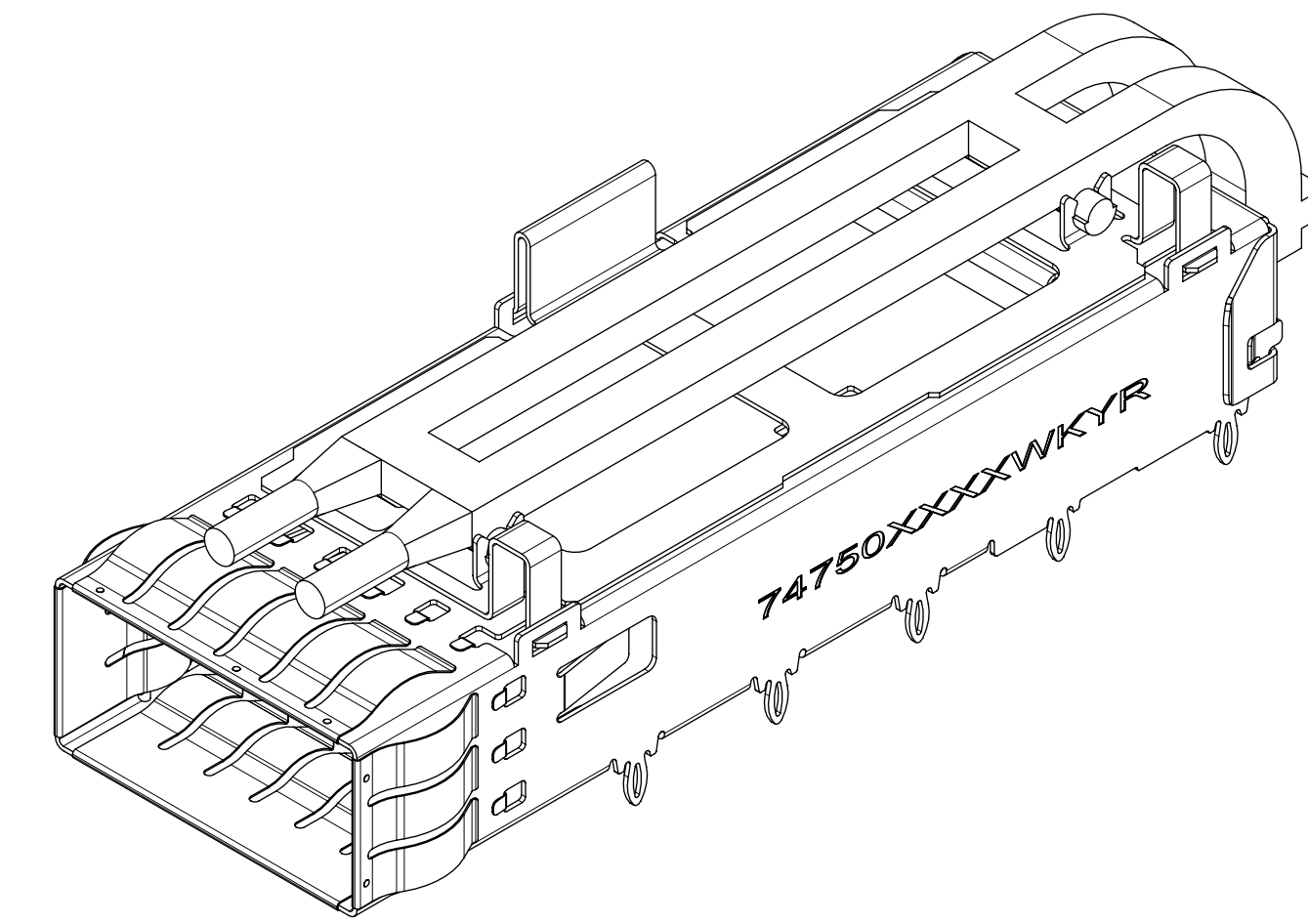
MOLEX P/N	# OF REAR LEGS PER PORT	LEG TYPE	DIM "A"	PLATING
747503021	2	PRESS FIT-EON	2.28	NICKEL
747503023	0	PRESS FIT-EON	2.28	NICKEL

FUNCTIONAL SYMBOLS FA = 0 FC = 0 FD = 0	THIS DRAWING CONTAINS INFORMATION THAT IS PROPRIETARY TO MOLEX ELECTRONIC TECHNOLOGIES, LLC AND SHOULD NOT BE USED WITHOUT WRITTEN PERMISSION		CURRENT REV DESC: SEE REV TABLE.		molex		
	DIMENSION UNITS	SCALE					
DIVISIONAL SYMBOLS	mm	3:1			QSFP+ 1X1 CAGE ASSEMBLY WITH SUS TAB TYPE SPRING FINGER PRODUCT CUSTOMER DRAWING		
	GENERAL TOLERANCES (UNLESS SPECIFIED)						
	ANGULAR TOL ± 1.0°						
	4 PLACES	±	EC NO: 723392	2022/09/27			
	3 PLACES	±	DRWN: VISHNM2	2022/10/03			
2 PLACES	± 0.13	CHK'D: DKUMARG	2022/10/12				
1 PLACE	± 0.25	APPR: SCHIEN					
0 PLACES	±	INITIAL REVISION:					
DRAFT WHERE APPLICABLE MUST REMAIN WITHIN DIMENSIONS		DRWN: CHETHH2	2022/02/17				
THIRD ANGLE PROJECTION		APPR: JCHIANG	2022/03/28				
DRAWING		SERIES	MATERIAL NUMBER	CUSTOMER	DOC TYPE	DOC PART	REVISION
D-SIZE		74750	747503021	GENERAL MARKET	PSD	ASY	B
			SEE P/N TABLE				SHEET NUMBER
							5 OF 11

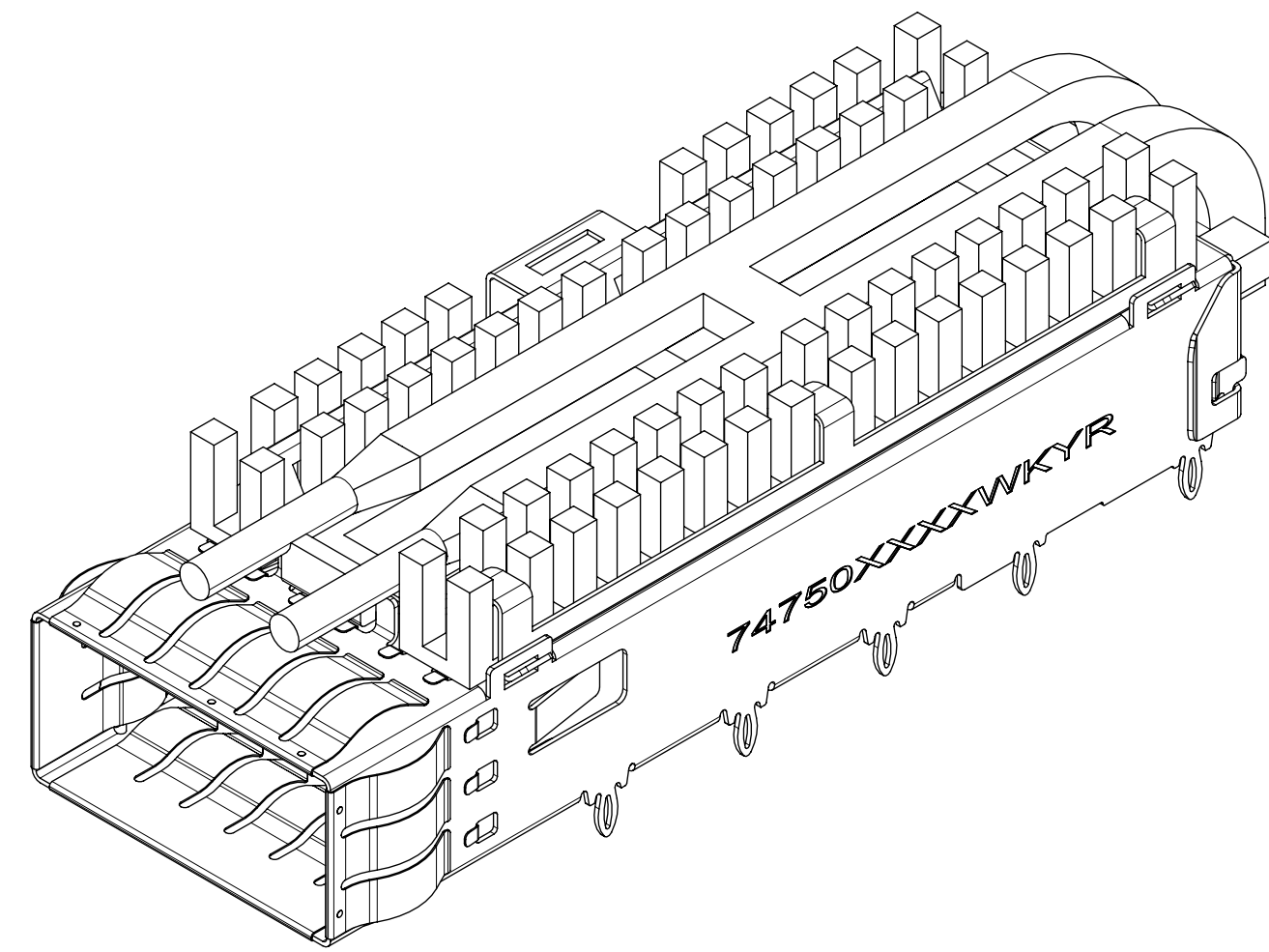
PART NUMBER SELECTION (CONT)



MOLEX P/N	HS	# OF REAR LEGS PER PORT	LEG TYPE	DIM "A"	PLATING
747503057	PCI	2	SOLDER POST	2.90	NICKEL



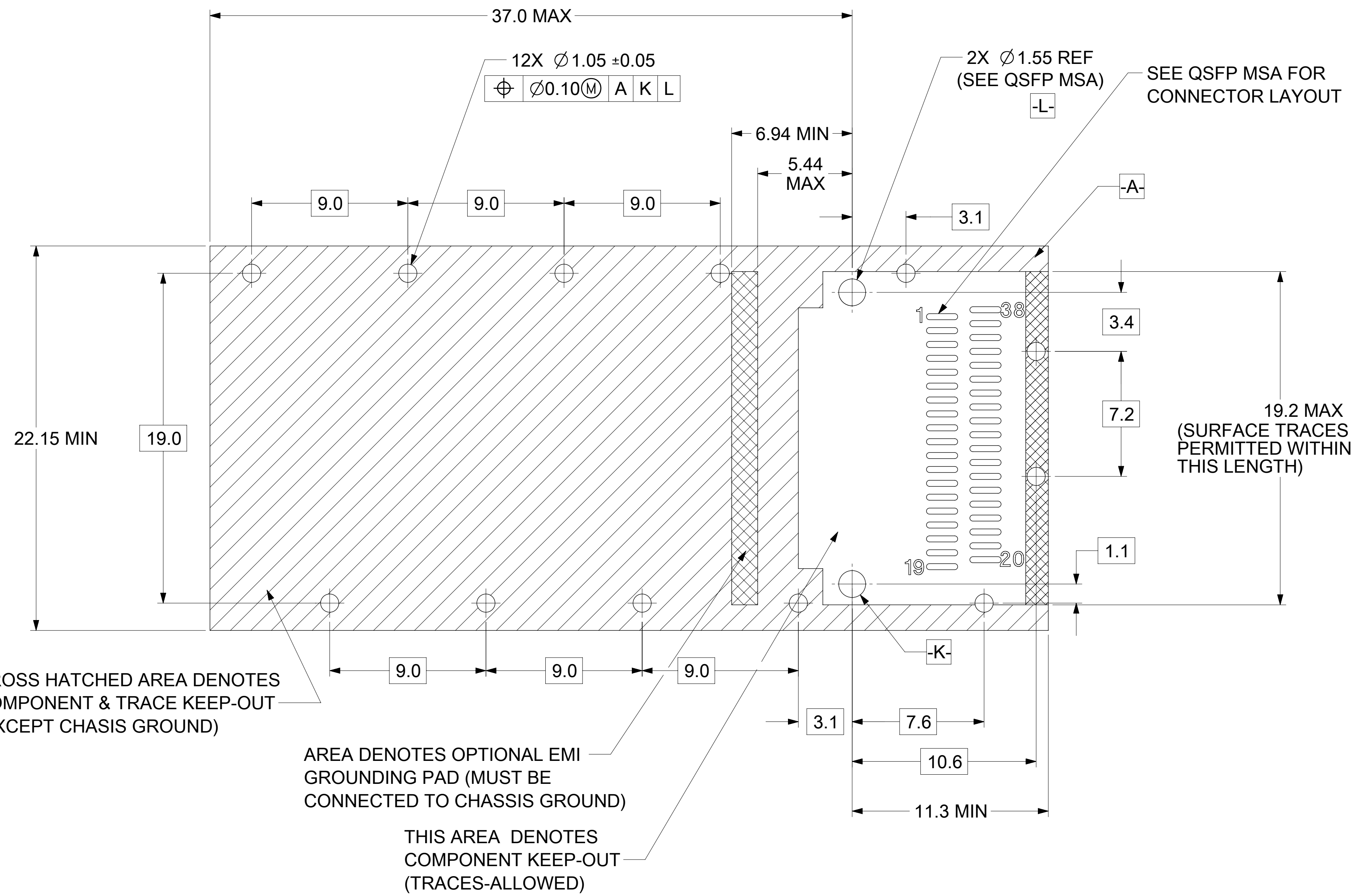
MOLEX P/N	MOLEX CAGE W/O HS ASSEMBLY P/N	LIGHT PIPE ASSEMBLY P/N	TIP STYLE	# OF REAR LEGS PER PORT	LEG TYPE	DIM "A"	DIM "B"	PLATING
747503586	747503024	747500031	ROUND	2	PRESS FIT-EON	2.28	60.25	NICKEL



MOLEX P/N	MOLEX CAGE W/O HS ASSEMBLY P/N	LP SINGLE(747500403) DUAL(747500404)	TIP STYLE	HS	# OF REAR LEGS PER PORT	LEG TYPE	DIM "A"	DIM "B"	PLATING
747503082	747500092	DUAL	ROUND	SAN	2	PRESS FIT-EON	2.28	60.25	NICKEL
747503083	747500092	DUAL	ROUND	NET	2	PRESS FIT-EON	2.28	60.25	NICKEL
747503088	N/A	DUAL	ROUND	NET	2	PRESS FIT-TD	2.28	60.25	NICKEL

FUNCTIONAL SYMBOLS $\nabla_A = 0$ $\nabla_C = 0$ $\nabla_D = 0$	THIS DRAWING CONTAINS INFORMATION THAT IS PROPRIETARY TO MOLEX ELECTRONIC TECHNOLOGIES, LLC AND SHOULD NOT BE USED WITHOUT WRITTEN PERMISSION		CURRENT REV DESC: SEE REV TABLE.		
	DIMENSION UNITS	SCALE	GENERAL TOLERANCES (UNLESS SPECIFIED)		
	mm	3:1	ANGULAR TOL $\pm 1.0^\circ$		
	DRAFT WHERE APPLICABLE MUST REMAIN WITHIN DIMENSIONS		THIRD ANGLE PROJECTION	DRAWING	
EC NO: 723392		DRWN: VISHNM2	2022/09/27	PRODUCT CUSTOMER DRAWING	
CHK'D: DKUMARG		2022/10/03	INITIAL REVISION:		DOCUMENT NUMBER
APPR: SCHIEN		2022/10/12	DRWN: CHETHH2		DOC TYPE
DRWN: CHETHH2		2022/02/17	APPR: JCHIANG		DOC PART
2022/03/28		D-D-SIZE		74750	REVISION
SEE P/N TABLE		GENERAL MARKET		6 OF 11	

PCB LAYOUT FOR SINGLE SIDED MOUNTING



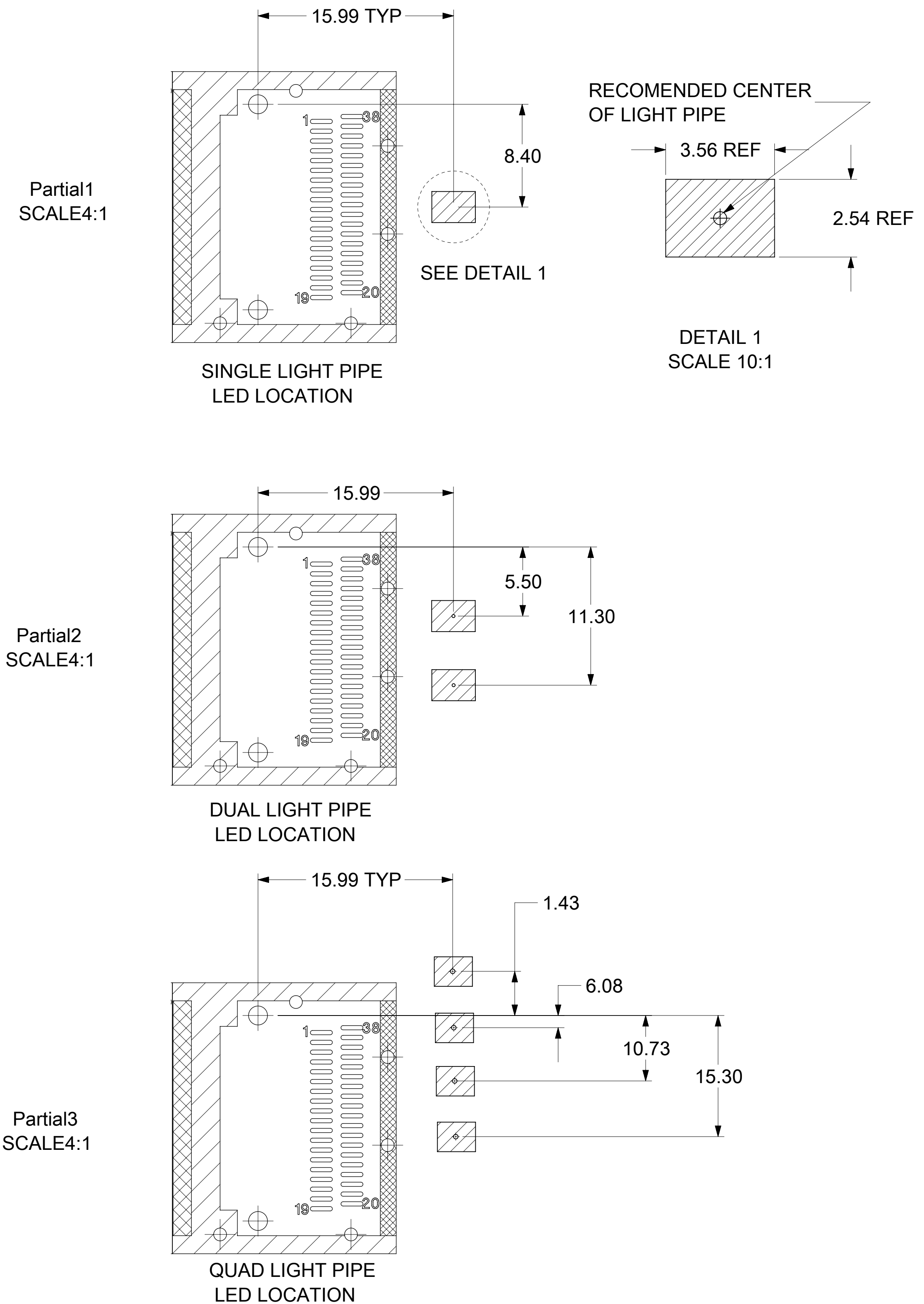
CROSS HATCHED AREA DENOTES COMPONENT & TRACE KEEP-OUT (EXCEPT CHASSIS GROUND)

AREA DENOTES OPTIONAL EMI GROUNDING PAD (MUST BE CONNECTED TO CHASSIS GROUND)

THIS AREA DENOTES COMPONENT KEEP-OUT (TRACES-ALLOWED)

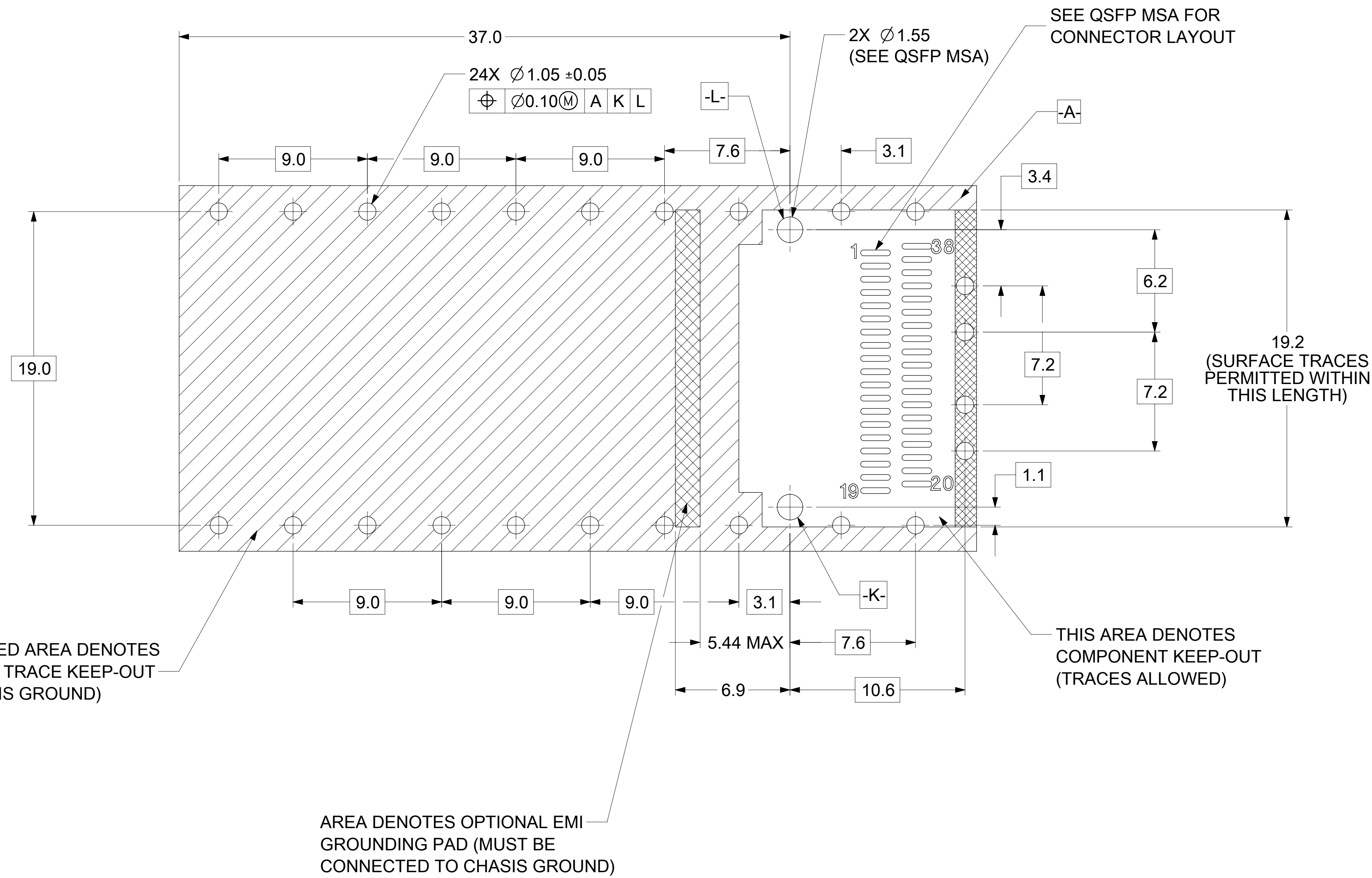
- NOTES:
- DATUM -A- IS TOP SURFACE OF HOST BOARD PER MSA
 - FINISHED HOLE SIZE (AFTER PLATING)
 - DATUM -K- IS HOST BOARD THRU HOLE #1 TO ACCEPT CONNECTOR GUIDE POST PER MSA
 - DATUM -L- IS HOST BOARD THRU HOLE #2 TO ACCEPT CONNECTOR GUIDE POST PER MSA
 - SINGLE SIDED BOARD THICKNESS
MINIMUM: 1.57 [0.061"] FOR 3.05MM & 2.90MM LEGS.
MINIMUM: 1.44 [0.057"] FOR 2.28MM & 1.90MM LEGS.
 - LED SHOULD BE PLACED RELATIVE TO THE QSFP CONNECTOR POST HOLES.

HOST CONNECTOR DETAIL



FUNCTIONAL SYMBOLS	THIS DRAWING CONTAINS INFORMATION THAT IS PROPRIETARY TO MOLEX ELECTRONIC TECHNOLOGIES, LLC AND SHOULD NOT BE USED WITHOUT WRITTEN PERMISSION										
FA = 0	DIMENSION UNITS	SCALE	CURRENT REV DESC: SEE REV TABLE.								
FC = 0	mm	6:1									
FD = 0	GENERAL TOLERANCES (UNLESS SPECIFIED)									QSFP+ 1X1 CAGE ASSEMBLY WITH SUS TAB TYPE SPRING FINGER	
	ANGULAR TOL ± 1.0°									PRODUCT CUSTOMER DRAWING	
	4 PLACES	±	EC NO: 723392 DRWN: VISHNM2 CHK'D: DKUMARG APPR: SCHIEN							DOCUMENT NUMBER: 747503021 DOC TYPE: PSD DOC PART: ASY REVISION: B	
	3 PLACES	±	INITIAL REVISION: DRWN: CHETHH2 APPR: JCHIANG							MATERIAL NUMBER: SEE P/N TABLE CUSTOMER: GENERAL MARKET	
	2 PLACES	± 0.13								SHEET NUMBER: 7 OF 11	
	1 PLACE	± 0.25									
	0 PLACES	±									
	DRAFT WHERE APPLICABLE MUST REMAIN WITHIN DIMENSIONS		THIRD ANGLE PROJECTION		DRAWING	SERIES	MATERIAL NUMBER		CUSTOMER		
					D-SIZE	74750	SEE P/N TABLE		GENERAL MARKET		

PCB LAYOUT FOR BELLY TO BELLY MOUNTING



NOTE:
SEE PREVIOUS SHEET FOR
HOST CONNECTOR DETAIL
AND LED LOCATION DETAILS

CROSS HATCHED AREA DENOTES
COMPONENT & TRACE KEEP-OUT
(EXCEPT CHASIS GROUND)

AREA DENOTES OPTIONAL EMI
GROUNDING PAD (MUST BE
CONNECTED TO CHASIS GROUND)

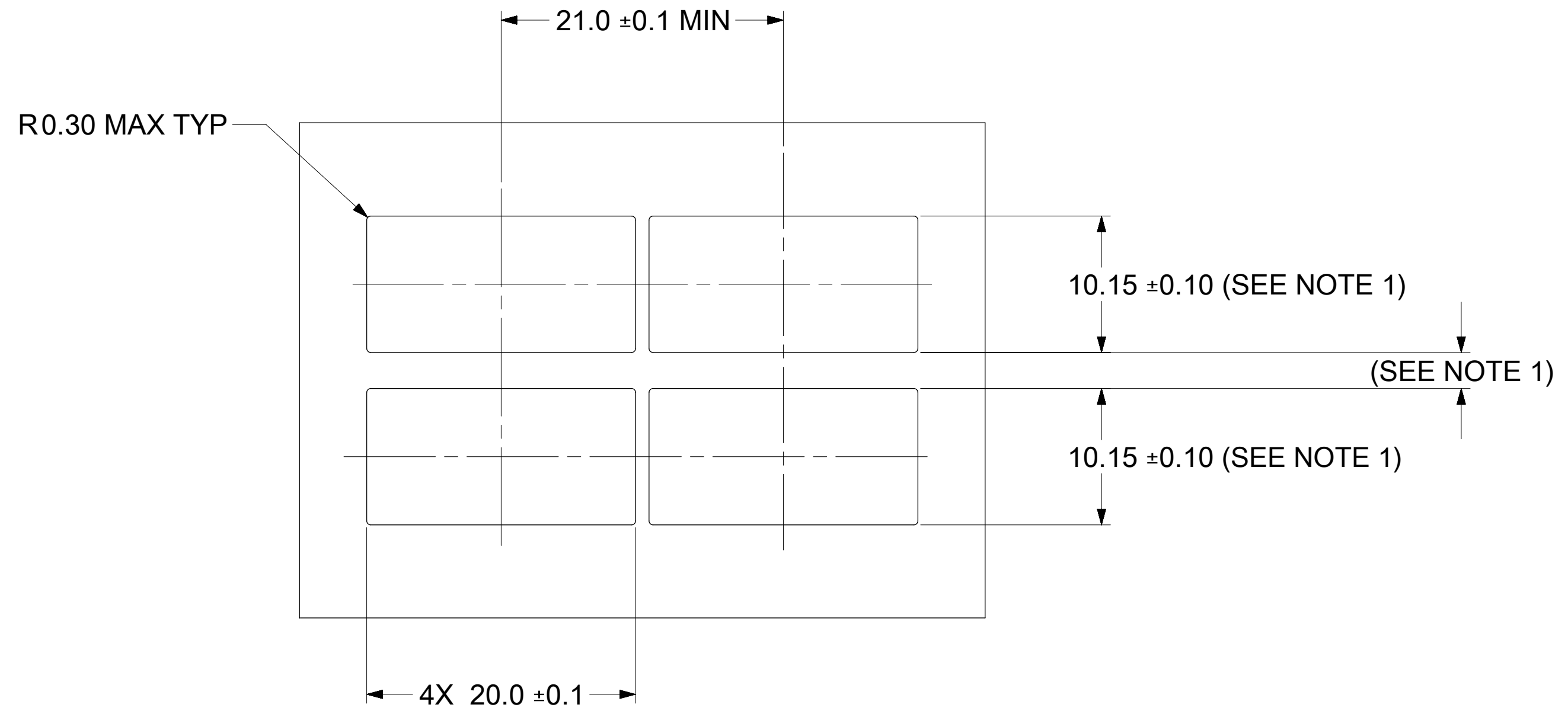
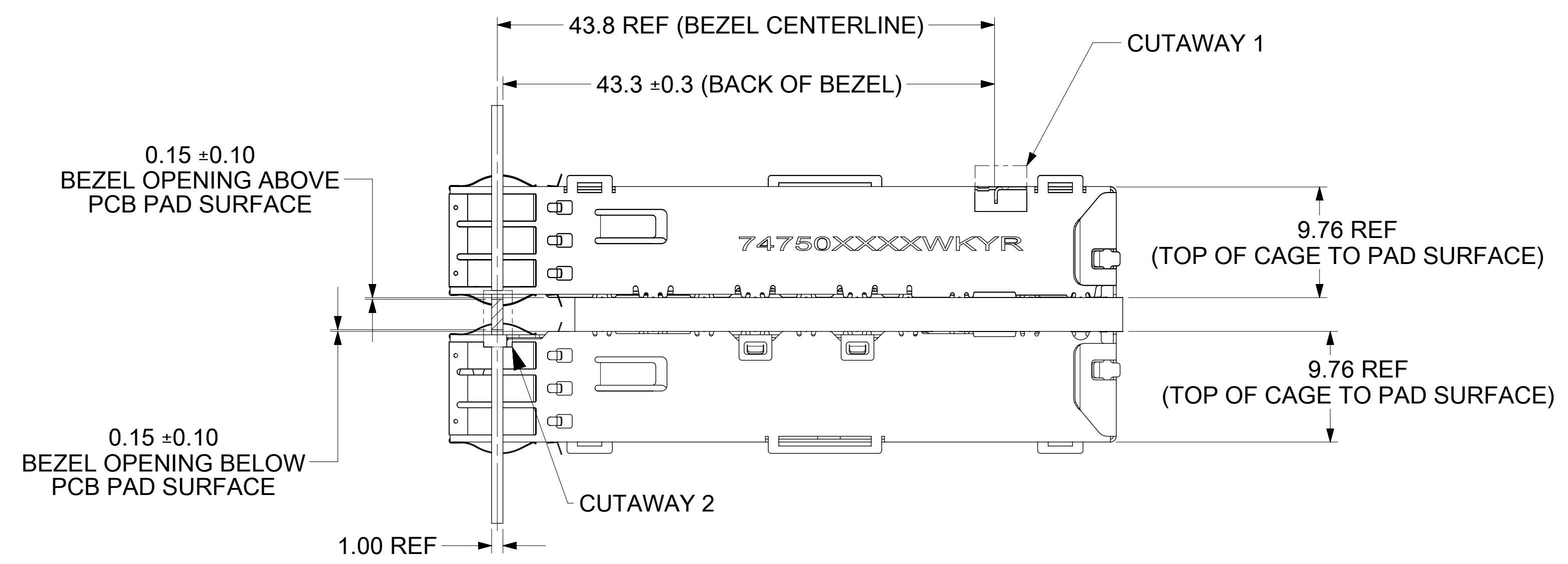
THIS AREA DENOTES
COMPONENT KEEP-OUT
(TRACES ALLOWED)

NOTES:

- DATUM -A- IS TOP SURFACE OF HOST BOARD PER MSA.
- FINISHED HOLE SIZE (AFTER PLATING).
- DATUM -K- IS HOST BOARD THRU HOLE #1 TO ACCEPT CONNECTOR GUIDE POST PER MSA.
- DATUM -L- IS HOST BOARD THRU HOLE #2 TO ACCEPT CONNECTOR GUIDE POST PER MSA.
- BELLY TO BELLY BOARD THICKNESS:
MINIMUM: 3.00 [0.118"] FOR 3.05MM LEGS.
MINIMUM: 2.07 [0.081"] FOR 2.28MM LEGS.
1.90MM AND 2.90MM SOLDER POST LEGS CANNOT BE MOUNTED BELLY TO BELLY

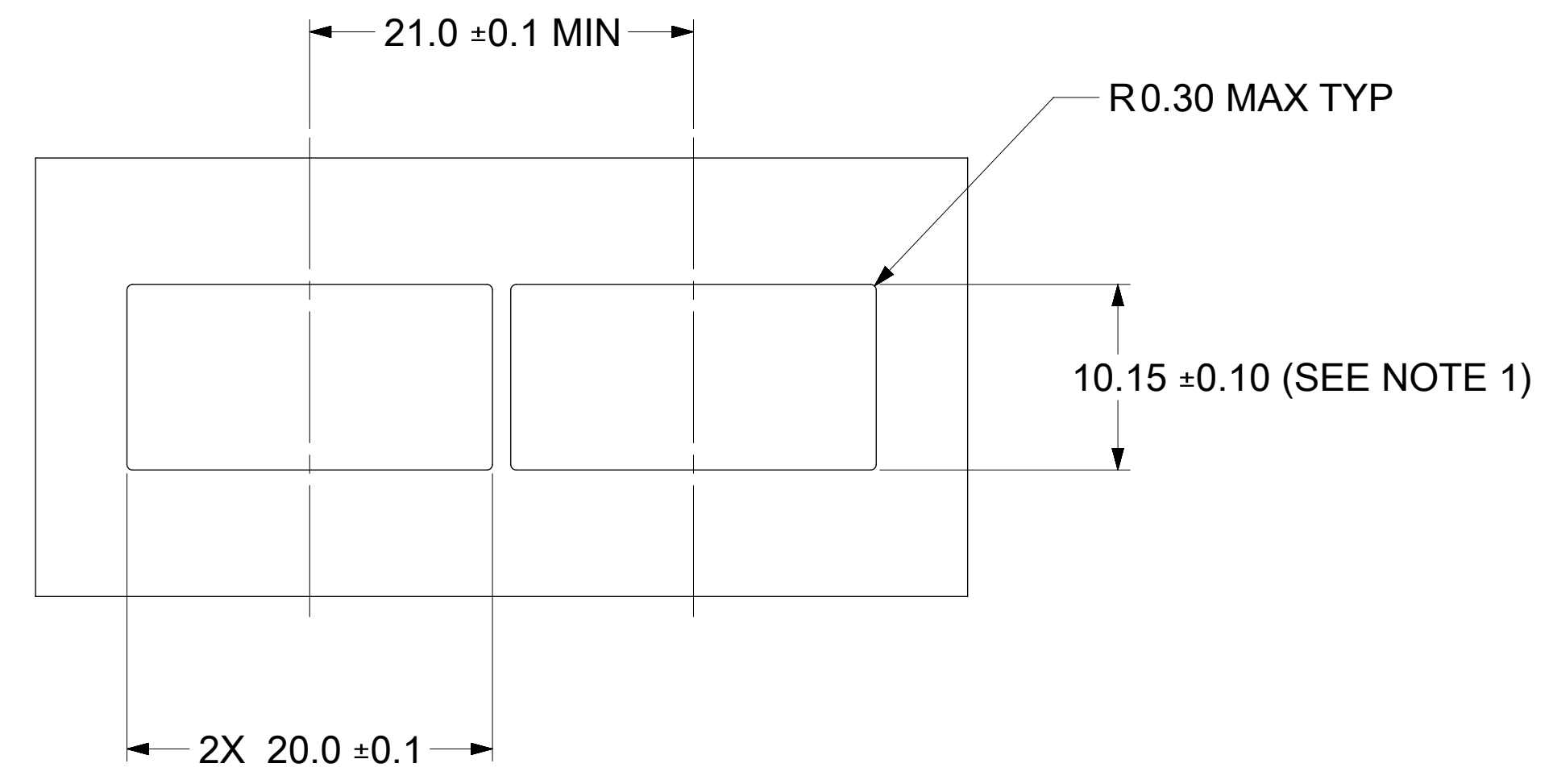
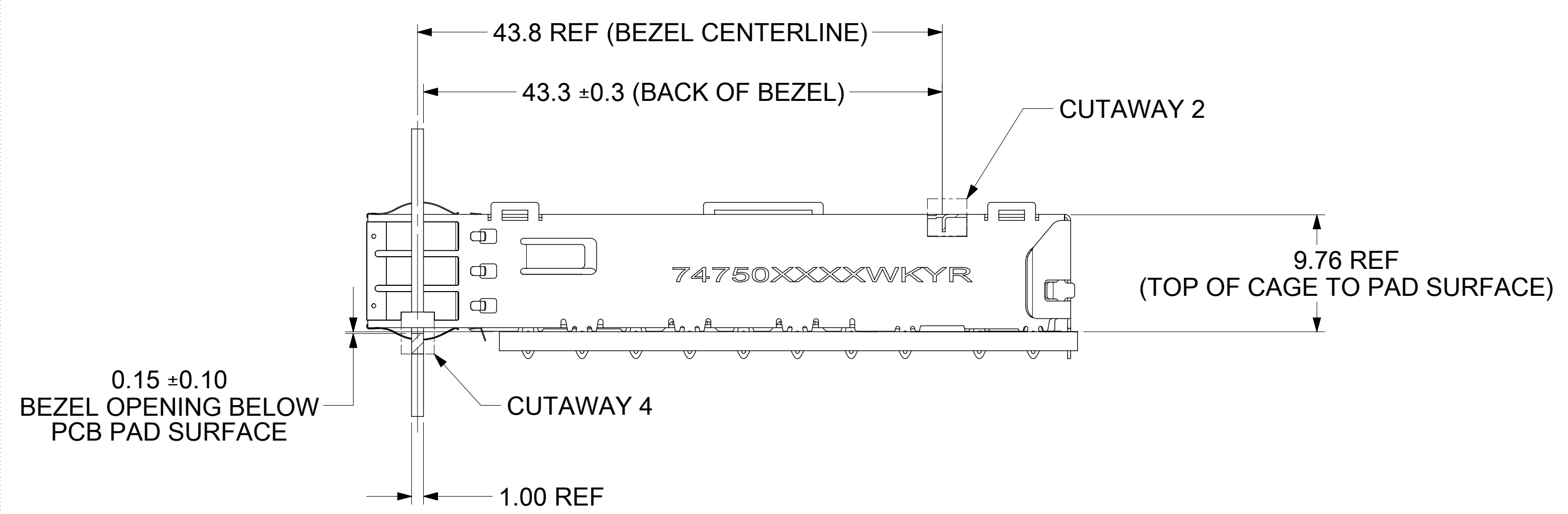
FUNCTIONAL SYMBOLS	THIS DRAWING CONTAINS INFORMATION THAT IS PROPRIETARY TO MOLEX ELECTRONIC TECHNOLOGIES, LLC AND SHOULD NOT BE USED WITHOUT WRITTEN PERMISSION		CURRENT REV DESC: SEE REV TABLE.		molex
	FA = 0	mm	SCALE	6:1	
DIVISIONAL SYMBOLS	GENERAL TOLERANCES (UNLESS SPECIFIED)		EC NO: 723392		DOCUMENT NUMBER
	FC = 0	ANGULAR TOL ± 1.0°	DRWN: VISHNM2	2022/09/27	
DIVISIONAL SYMBOLS	4 PLACES ±	INITIAL REVISION:	CHK'D: DKUMARG	2022/10/03	DOC PART
	3 PLACES ±		APPR: SCHIEN	2022/10/12	REVISION
DIVISIONAL SYMBOLS	2 PLACES ± 0.13	DRWN: CHETHH2	2022/02/17	747503021	PSD ASY B
	1 PLACE ± 0.25	APPR: JCHIANG	2022/03/28		
DIVISIONAL SYMBOLS	0 PLACES ±	DRAFT WHERE APPLICABLE MUST REMAIN WITHIN DIMENSIONS		MATERIAL NUMBER	CUSTOMER
	THIRD ANGLE PROJECTION	DRAWING	SERIES	SEE P/N TABLE	GENERAL MARKET
		THIRD ANGLE PROJECTION	D-SIZE	74750	SHEET NUMBER
				8 OF 11	

BOARD POSITION AND BEZEL DIMENSIONS FOR BELLY TO BELLY MOUNTING



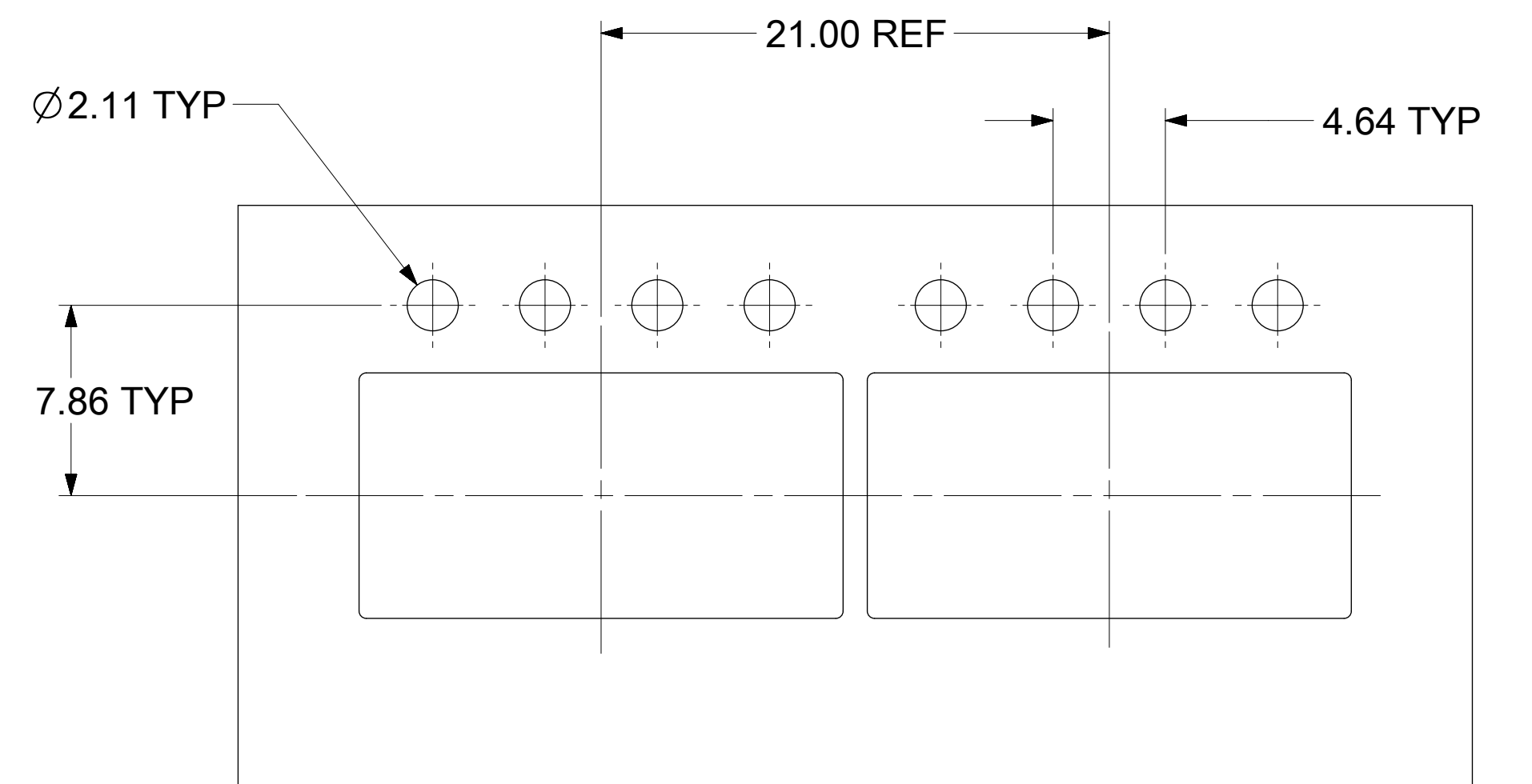
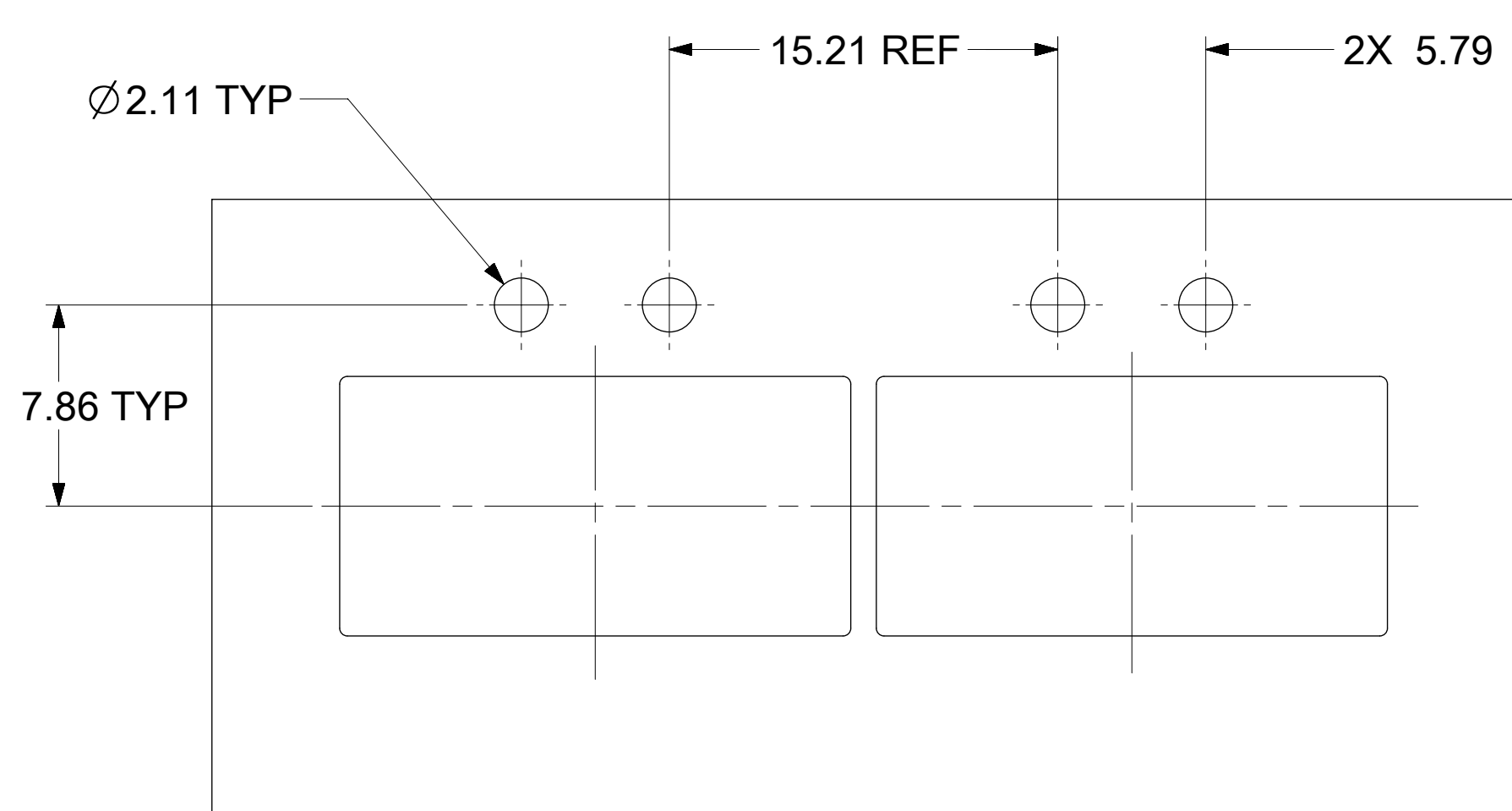
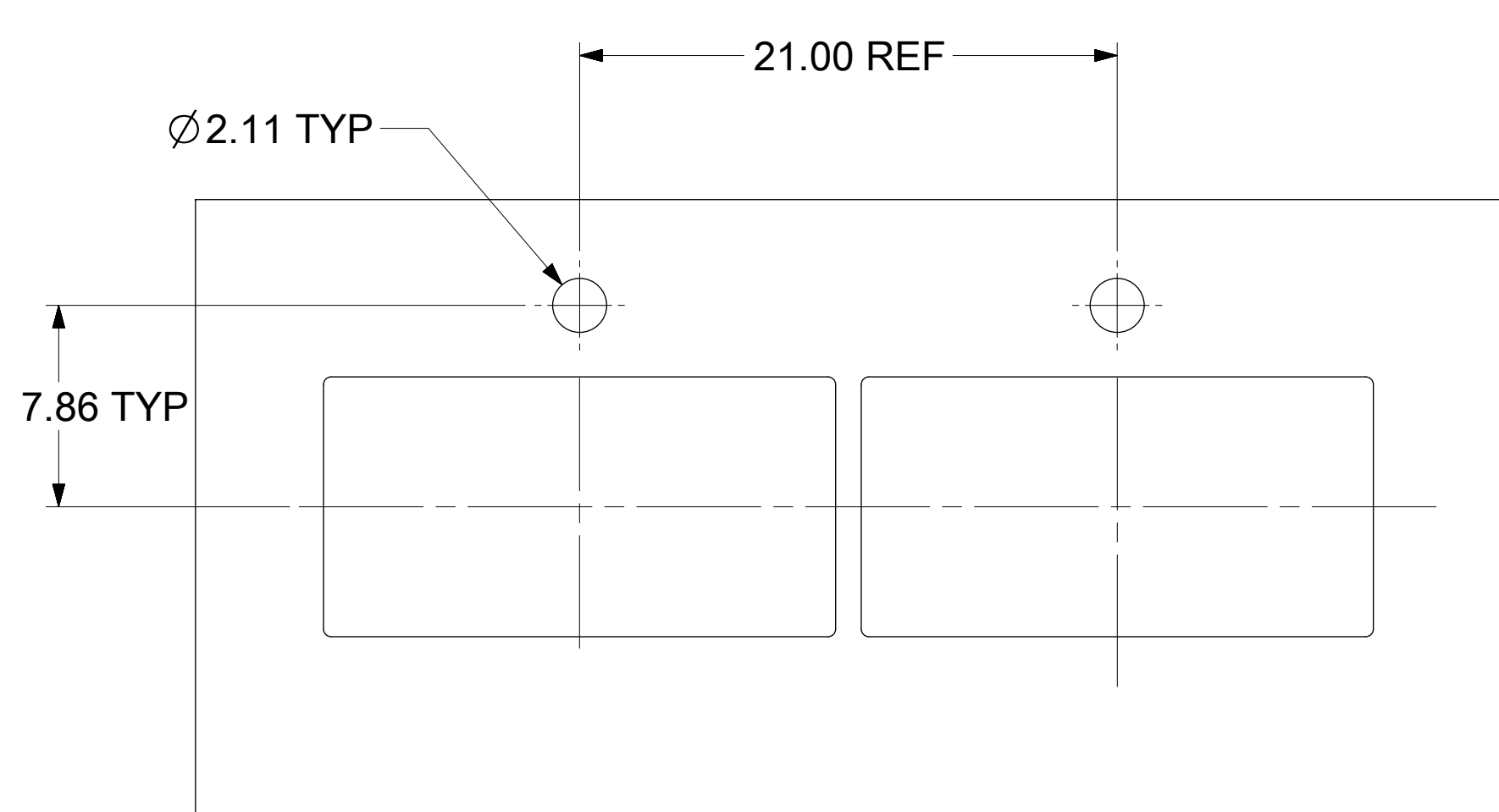
NOTE:
 1. PCB THICKNESS VARIATION MUST BE CONSIDERED WHEN DETERMINING BEZEL OPENING, SIZE, AND LOCATION.
 2. SEE QSFP MSA SPECIFICATION FOR BEZEL LOCATION TOLERANCE.

BOARD POSITION AND BEZEL DIMENSIONS FOR SINGLE SIDE MOUNTING



FUNCTIONAL SYMBOLS $F_A = 0$ $F_C = 0$ $F_P = 0$	THIS DRAWING CONTAINS INFORMATION THAT IS PROPRIETARY TO MOLEX ELECTRONIC TECHNOLOGIES, LLC AND SHOULD NOT BE USED WITHOUT WRITTEN PERMISSION		CURRENT REV DESC: SEE REV TABLE.					
	DIMENSION UNITS	SCALE	EC NO: 723392					
	mm	3:1	DRWN: VISHNM2	2022/09/27				
	GENERAL TOLERANCES (UNLESS SPECIFIED)		CHK'D: DKUMARG	2022/10/03				
ANGULAR TOL ± 1.0°		APPR: SCHIEN	2022/10/12	PRODUCT CUSTOMER DRAWING				
DIVISIONAL SYMBOLS	4 PLACES	±	INITIAL REVISION:	DOCUMENT NUMBER	DOC TYPE	DOC PART	REVISION	
	3 PLACES	±	DRWN: CHETHH2	2022/02/17	747503021	PSD	ASY	B
	2 PLACES	± 0.13	APPR: JCHIANG	2022/03/28				
	1 PLACE	± 0.25	DRAFT WHERE APPLICABLE MUST REMAIN WITHIN DIMENSIONS		MATERIAL NUMBER	CUSTOMER	SHEET NUMBER	
0 PLACES	±	THIRD ANGLE PROJECTION	DRAWING	SERIES	SEE P/N TABLE	GENERAL MARKET	9 OF 11	

LIGHT PIPE CUTOUT DIMENSIONS



FUNCTIONAL SYMBOLS	THIS DRAWING CONTAINS INFORMATION THAT IS PROPRIETARY TO MOLEX ELECTRONIC TECHNOLOGIES, LLC AND SHOULD NOT BE USED WITHOUT WRITTEN PERMISSION		
	DIMENSION UNITS	SCALE	CURRENT REV DESC: SEE REV TABLE.
$\nabla_A = 0$	mm	4:1	EC NO: 723392 DRWN: VISHNM2 2022/09/27 CHK'D: DKUMARG 2022/10/03 APPR: SCHIEN 2022/10/12 INITIAL REVISION: DRWN: CHETHH2 2022/02/17 APPR: JCHIANG 2022/03/28
$\nabla_C = 0$	GENERAL TOLERANCES (UNLESS SPECIFIED)		
$\nabla_D = 0$	ANGULAR TOL $\pm 1.0^\circ$		
DIVISIONAL SYMBOLS	4 PLACES	\pm	
	3 PLACES	\pm	
	2 PLACES	± 0.13	
	1 PLACE	± 0.25	
	0 PLACES	\pm	
DRAFT WHERE APPLICABLE MUST REMAIN WITHIN DIMENSIONS		THIRD ANGLE PROJECTION	DRAWING D-SIZE SERIES 74750 MATERIAL NUMBER SEE P/N TABLE CUSTOMER GENERAL MARKET SHEET NUMBER 10 OF 11

molex

QSFP+ 1X1 CAGE ASSEMBLY
WITH SUS TAB TYPE SPRING FINGER

PRODUCT CUSTOMER DRAWING

DOCUMENT NUMBER	DOC TYPE	DOC PART	REVISION
747503021	PSD	ASY	B

REV	DATE	DESCRIPTION
A	2022/02/17	1. INITIAL RELEASE
A1	2022/06/27	SHEET 02: C17: CORRECTED THE LEG OPTIONS DETAIL VIEW'S TO HIDE UNWANTED LEGS. SHEET 09: J06 : HIDE UNWANTED LEGS FROM THE VIEW.
B	2022/10/03	SHEET 06: J17 : ADDED P/N TABLE & ISO VIEW OF P/N 747503057. SHEET 09: H16 : CAGE ASSEMBLY ERROR CORRECTED.

FUNCTIONAL SYMBOLS	THIS DRAWING CONTAINS INFORMATION THAT IS PROPRIETARY TO MOLEX ELECTRONIC TECHNOLOGIES, LLC AND SHOULD NOT BE USED WITHOUT WRITTEN PERMISSION		
	DIMENSION UNITS	SCALE	CURRENT REV DESC: SEE REV TABLE.
$\nabla_A = 0$	mm	1:1	<p>EC NO: 723392 DRWN: VISHNM2 2022/09/27 CHK'D: DKUMARG 2022/10/03 APPR: SCHIEN 2022/10/12</p> <p>INITIAL REVISION: DRWN: CHETHH2 2022/02/17 APPR: JCHIANG 2022/03/28</p>
$\nabla_C = 0$	GENERAL TOLERANCES (UNLESS SPECIFIED)		
$\nabla_P = 0$	ANGULAR TOL ± 1.0°		
DIVISIONAL SYMBOLS	4 PLACES	±	
	3 PLACES	±	
	2 PLACES	± 0.13	
	1 PLACE	± 0.25	
	0 PLACES	±	
DRAFT WHERE APPLICABLE MUST REMAIN WITHIN DIMENSIONS		THIRD ANGLE PROJECTION	<p>DRAWING SERIES</p> <p>D-SIZE 74750</p>
DOCUMENT STATUS		P1	<p>DOCUMENT NUMBER</p> <p>747503021</p>
RELEASE DATE		2022/10/12 10:55:32	<p>DOC TYPE DOC PART REVISION</p> <p>PSD ASY B</p>
MATERIAL NUMBER		74750	<p>CUSTOMER</p> <p>GENERAL MARKET</p>
SHEET NUMBER		11 OF 11	