

MATERIALS AND FINISHES

BODY ZINC ALLOY
PLATED NICKEL 70 MICROINCHES MIN

CENTER CONTACT PHOSPHOR BRONZE
PLATED GOLD 8 MICROINCHES MIN

INSULATOR POLYPROPYLENE

HOUSING VALOX 420-SEO BLACK

SOLDER TAIL COPPER OVER STEEL WIRE
PLATED TIN 200 MICROINCHES MIN

BOARD LOCK CLIP PHOSPHOR BRONZE
PLATED TIN 150 MICROINCHES MIN

FRONT CLIP PHOSPHOR BRONZE
PLATED NICKEL 70 MICROINCHES MIN

CHIP CAPACITOR MULTILAYER CERAMIC

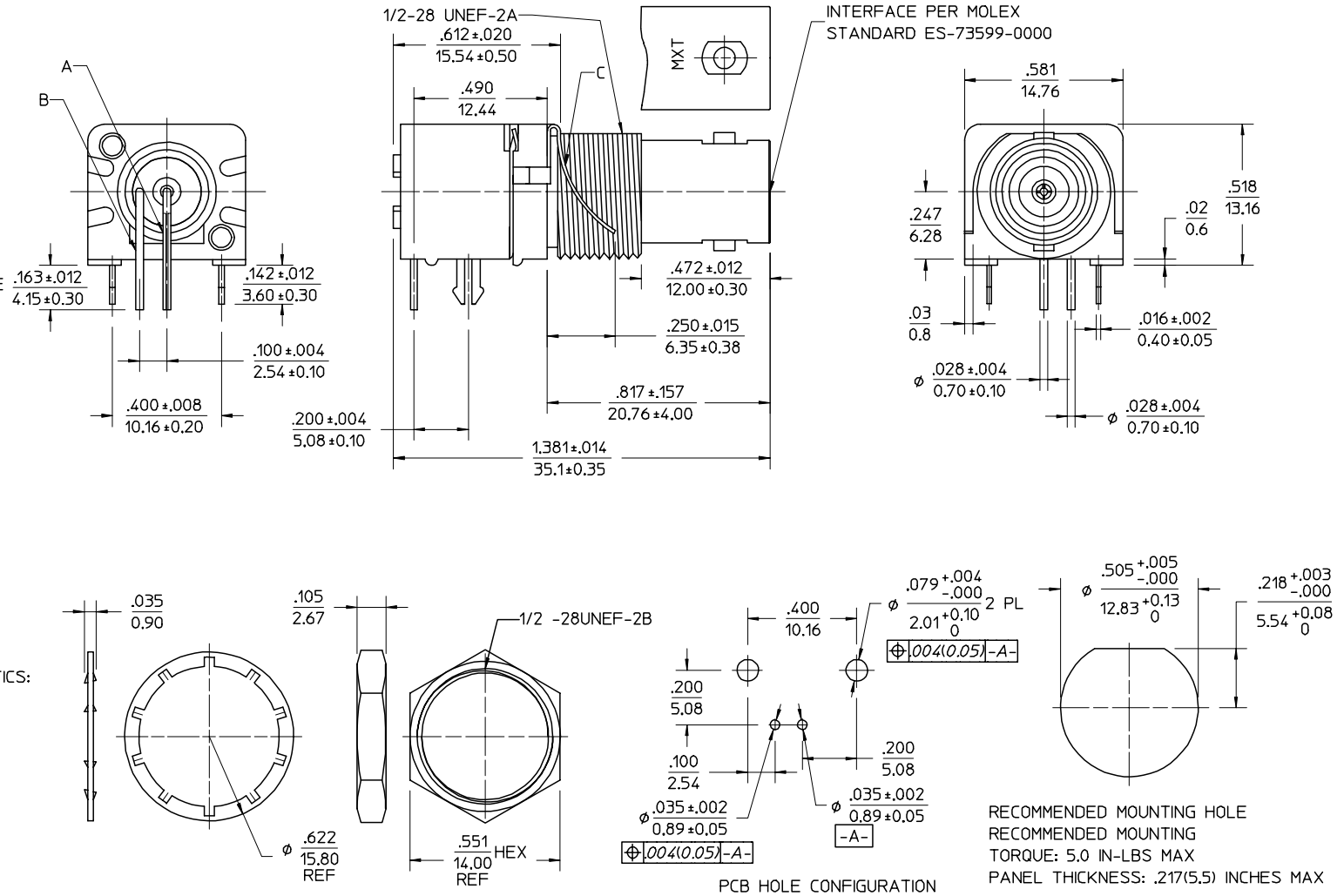
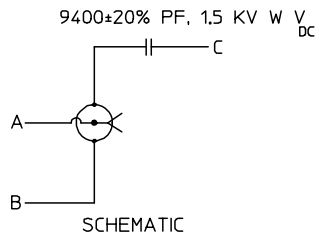
NUT BRASS
PLATED NICKEL 70 MICROINCHES MIN

WASHER PHOSPHOR BRONZE
PLATED NICKEL 70 MICROINCHES MIN

MECHANICAL & ELECTRICAL CHARACTERISTICS:
PER PS-73598-0010

PACKAGING:
TRAY PACKAGING

PART # 73100-0162



CHG: DIM 0.7±0.1WAS ±0.05	QUALITY SYMBOLS	GENERAL TOLERANCES (UNLESS SPECIFIED)	DIMENSION STYLE	SCALE	DESIGN UNITS	THIRD ANGLE PROJECTION																																																		
	<p>▽=0</p> <p>▽=0</p>	<table border="1"> <thead> <tr> <th></th> <th>mm</th> <th>INCH</th> </tr> </thead> <tbody> <tr> <td>4 PLACES</td> <td>± ---</td> <td>± ---</td> </tr> <tr> <td>3 PLACES</td> <td>± ---</td> <td>± ---</td> </tr> <tr> <td>2 PLACES</td> <td>± 0.25</td> <td>± ---</td> </tr> <tr> <td>1 PLACE</td> <td>± 0.25</td> <td>± ---</td> </tr> <tr> <td colspan="3">ANGULAR ± 3 °</td> </tr> </tbody> </table>		mm	INCH	4 PLACES	± ---	± ---	3 PLACES	± ---	± ---	2 PLACES	± 0.25	± ---	1 PLACE	± 0.25	± ---	ANGULAR ± 3 °			<table border="1"> <thead> <tr> <th>IN/MM</th> <th>DATE</th> <th>TITLE</th> </tr> </thead> <tbody> <tr> <td>DRAWN BY</td> <td>1994/10/13</td> <td rowspan="2">50 OHM FILTER BNC R/A PCB RECEPTACLE BNC-PCB/RA/BK</td> </tr> <tr> <td>DATE</td> <td></td> </tr> <tr> <td>CHECKED BY</td> <td>1994/10/18</td> <td rowspan="2">MOLEX INCORPORATED</td> </tr> <tr> <td>DATE</td> <td></td> </tr> <tr> <td>APPROVED BY</td> <td>1994/10/23</td> <td>DOCUMENT NO.</td> </tr> <tr> <td>DATE</td> <td></td> <td>73100-0162</td> </tr> <tr> <td>MATERIAL NO.</td> <td></td> <td>SHEET NO.</td> </tr> <tr> <td>73100-0162</td> <td></td> <td>1 OF 1</td> </tr> </tbody> </table>	IN/MM	DATE	TITLE	DRAWN BY	1994/10/13	50 OHM FILTER BNC R/A PCB RECEPTACLE BNC-PCB/RA/BK	DATE		CHECKED BY	1994/10/18	MOLEX INCORPORATED	DATE		APPROVED BY	1994/10/23	DOCUMENT NO.	DATE		73100-0162	MATERIAL NO.		SHEET NO.	73100-0162		1 OF 1	<table border="1"> <thead> <tr> <th>DATE</th> <th>DESCRIPTION</th> </tr> </thead> <tbody> <tr> <td>2004/10/04</td> <td>DRWN: CLLI</td> </tr> <tr> <td>2004/10/04</td> <td>CHKD: MIUANG</td> </tr> <tr> <td>2004/10/06</td> <td>APPR: MIUANG</td> </tr> </tbody> </table>	DATE	DESCRIPTION	2004/10/04	DRWN: CLLI	2004/10/04	CHKD: MIUANG	2004/10/06	APPR: MIUANG	<p>EC NO: URF2005-0059</p> <p>CHG: DIM 0.7±0.1WAS ±0.05</p> <p>DRWN: CLLI 2004/10/04</p> <p>CHKD: MIUANG 2004/10/04</p> <p>APPR: MIUANG 2004/10/06</p>
	mm	INCH																																																						
4 PLACES	± ---	± ---																																																						
3 PLACES	± ---	± ---																																																						
2 PLACES	± 0.25	± ---																																																						
1 PLACE	± 0.25	± ---																																																						
ANGULAR ± 3 °																																																								
IN/MM	DATE	TITLE																																																						
DRAWN BY	1994/10/13	50 OHM FILTER BNC R/A PCB RECEPTACLE BNC-PCB/RA/BK																																																						
DATE																																																								
CHECKED BY	1994/10/18	MOLEX INCORPORATED																																																						
DATE																																																								
APPROVED BY	1994/10/23	DOCUMENT NO.																																																						
DATE		73100-0162																																																						
MATERIAL NO.		SHEET NO.																																																						
73100-0162		1 OF 1																																																						
DATE	DESCRIPTION																																																							
2004/10/04	DRWN: CLLI																																																							
2004/10/04	CHKD: MIUANG																																																							
2004/10/06	APPR: MIUANG																																																							