

Change Notice

KP Series

Discontinuation of Red/Green LED & Replacement with Red/Green/Blue LED

Type of Change:


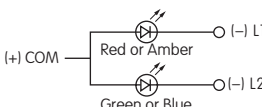
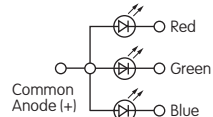
- Engineering Part Number
 Product Appearance

KP01 and KP02 Illuminated Pushbuttons with red/green bicolor LEDs will be undergoing a change. The LEDs will be discontinued, and the alternate product will be the red/green/blue LEDs. The revision applies to standard and custom products. Following are comparisons between specifications, dimensioned drawings for switches with the red/green bicolor and RGB LEDs, and a table of effected standard part numbers.



KP Series Red/Green Bicolor LEDs Will Be Replaced

LED Specifications Comparison

 The electrical specifications shown are determined at a basic temperature of 25°C unless stated otherwise. LEDs are an integral part of the switch and are not available separately.	Discontinued Product Bicolor Red/Green		Alternate Product Multicolor Red/Green/Blue			
	Colors	Red	Green	Red	Green	Blue
						
Minimum Luminous Intensity	I_V	230 mcd	220 mcd	—	—	—
Standard Luminous Intensity	I_V	290 mcd	270 mcd	—	—	—
Maximum Forward Current	I_{FM}	30 *(25)mA	25 *(22)mA	50mA	30mA	30mA
⁵ Forward Current with Alternating Legend	I_F	25mA	15mA	25mA	15mA	—
Typical Forward Current	I_F	15mA	5mA	15mA	16mA	10mA
Forward Voltage	V_F	2.0V	3.1V	¹ 2.0V	¹ 2.9V	¹ 2.9V
Power Peak Dissipation	P_D	72mW	88mW	100mW	80mW	80mW
Maximum Reverse Voltage	V_{RM}	5V	7V	—	—	—
Wavelength at Peak Emission	λ	620 ~ 630 nm	528 ~ 538 nm	¹ 620nm	¹ 525nm	¹ 467nm
Current Reduction Rate Above 25°C	ΔI_F	² 0.40 mA/°C	² 0.36 mA/°C	³ 0.75 mA/°C	³ 0.25 mA/°C	⁴ 0.22 mA/°C
Ambient Temperature Range		-25 ~ +50°C		-25 ~ +50°C		

* () Values for Amber, Achieved by Simultaneous Illumination of Red & Green.

¹ Forward Voltage & Wavelength Values are Typical Values at the Forward Current.

² Values for Temperatures Greater Than 25°C

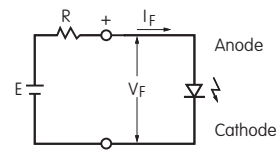
³ Values for Temperatures Greater Than 45°C

⁴ Value for Temperatures Greater Than 40°C

⁵ Forward Current May Need Adjustment Depending on Application Conditions

Notes

- The LED circuit is isolated and requires an external power source.
- If the source voltage exceeds the rated voltage, a ballast resistor is required. The resistor value can be calculated by using the formula shown here.
- Contact the factory if further details are needed.



$$R = \frac{E - V_F}{I_F}$$

Where: R = Resistor Value (Ohms)
 E = Source Voltage (V)
 V_F = Forward Voltage (V)
 I_F = Forward Current (A)

Effective Date

NKK Switches previously released a Discontinuation Notice on 2/22/17 for KP Series with red/green bicolor LEDs. The last buy date was 3/10/17. The release of CN-0335 clarifies LED specifications for the discontinued products and the alternate products.

NKK
SWITCHES

www.nkkswitches.com • 1.877.2BUYNKK (228.9655)

7850 East Gelding Drive • Scottsdale, AZ 85260 • Telephone 480.991.0942 • Fax 480.998.1435

Change Notice

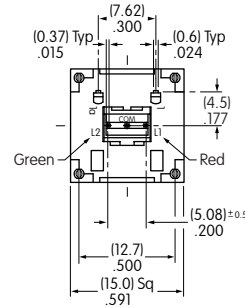
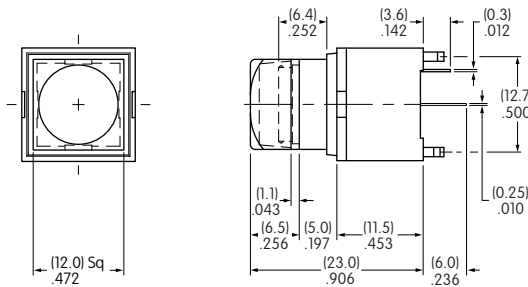
KP Series

Discontinuation of Red/Green LED & Replacement with Red/Green/Blue LED

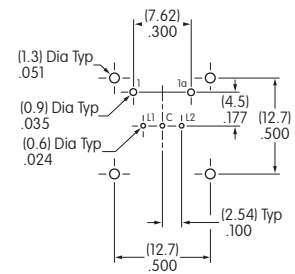
Typical Switch Dimensions for Discontinued Red/Green Bicolor LED

12.0mm Square Cap with Red/Green Bicolor LED

KP0115ANAKG036CF-1SJB

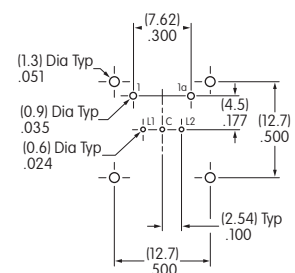
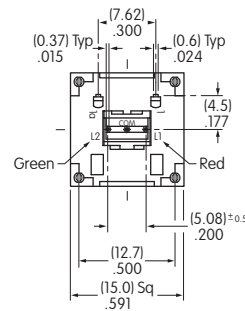
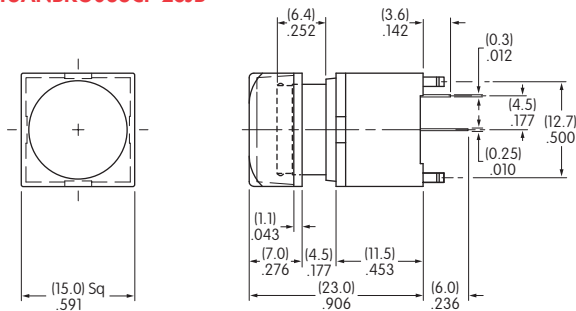


Footprint



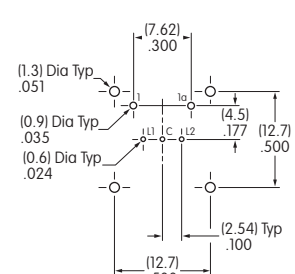
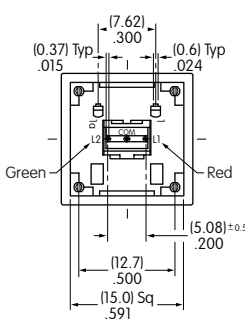
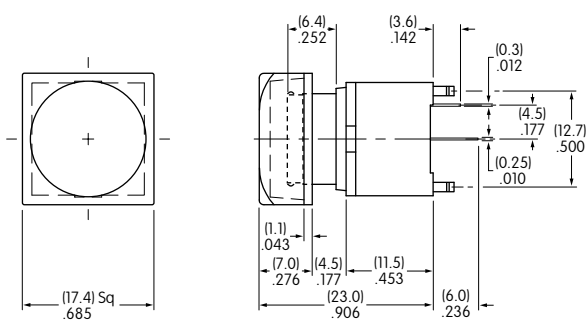
15.0mm Square Cap with Red/Green Bicolor LED

KP0115ANBKG036CF-2SJB



17.4mm Square Cap with Red/Green Bicolor LED

KP0115ANBKG036CF-3SJB



www.nkkswitches.com • 1.877.2BUYNKK (228.9655)

7850 East Gelding Drive • Scottsdale, AZ 85260 • Telephone 480.991.0942 • Fax 480.998.1435

Change Notice

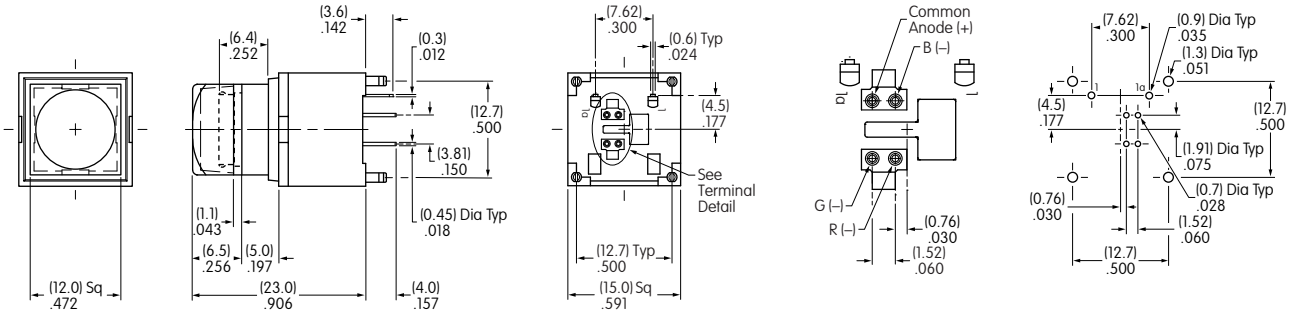
KP Series

Discontinuation of Red/Green LED & Replacement with Red/Green/Blue LED

Typical Switch Dimensions for Alternate RGB LED

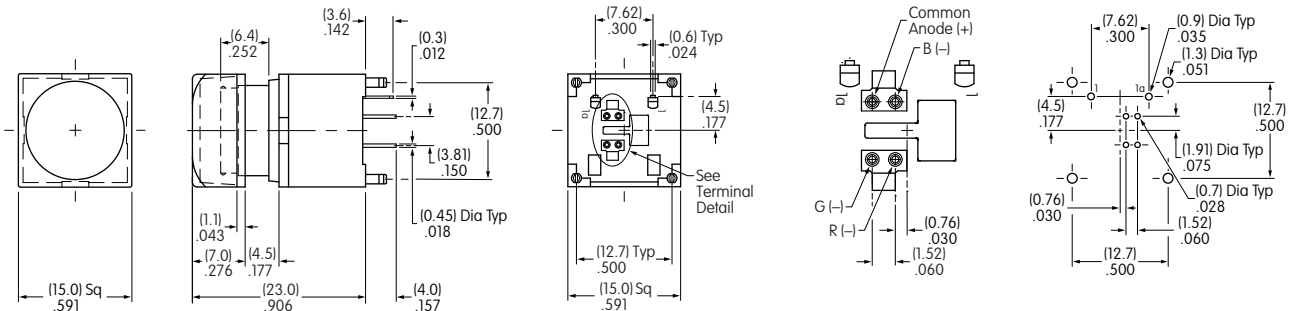
12.0mm Square Cap with RGB LED

KP0115ACAAG03RGBP-1SJB



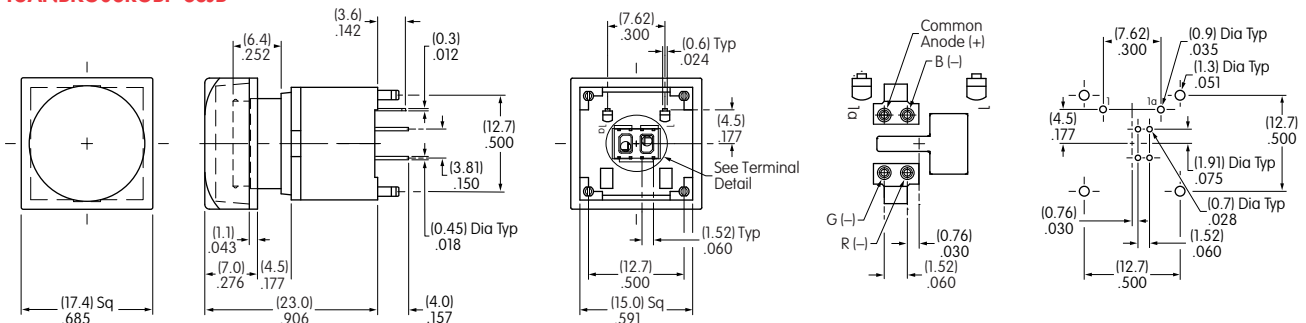
15.0mm Square Cap with RGB LED

KP0115ANBKG03RGBP-2SJB



17.4mm Square Cap with RGB LED

KP0115ANBKG03RGBP-3SJB



www.nkkswitches.com • 1.877.2BUYNKK (228.9655)

7850 East Gelding Drive • Scottsdale, AZ 85260 • Telephone 480.991.0942 • Fax 480.998.1435

Change Notice

KP Series

Discontinuation of Red/Green LED & Replacement with Red/Green/Blue LED

KP01 Standard Part Numbers		KP02 Standard Part Numbers	
KP01 Discontinued	KP01 Alternate	KP02 Discontinued	KP02 Alternate
KP0115ACAKG036CF	KP0115ACAKG03RGBP	KP0215ACAKG036CF	KP0215ACAKG03RGBP
KP0115ACAKG036CF-1FJB	KP0115ACAKG03RGBP-1FJB	KP0215ACAKG036CF-1FJB	KP0215ACAKG03RGBP-1FJB
KP0115ACAKG036CF-1SJB	KP0115ACAKG03RGBP-1SJB	KP0215ACAKG036CF-1SJB	KP0215ACAKG03RGBP-1SJB
KP0115ACAKG036CF-1TJB	KP0115ACAKG03RGBP-1TJB	KP0215ACAKG036CF-1TJB	KP0215ACAKG03RGBP-1TJB
KP0115ANAKG036CF	KP0115ANAKG03RGBP	KP0215ANAKG036CF	KP0215ANAKG03RGBP
KP0115ANAKG036CF-1FJB	KP0115ANAKG03RGBP-1FJB	KP0215ANAKG036CF-1FJB	KP0215ANAKG03RGBP-1FJB
KP0115ANAKG036CF-1SJB	KP0115ANAKG03RGBP-1SJB	KP0215ANAKG036CF-1SJB	KP0215ANAKG03RGBP-1SJB
KP0115ANAKG036CF-1TJB	KP0115ANAKG03RGBP-1TJB	KP0215ANAKG036CF-1TJB	KP0215ANAKG03RGBP-1TJB
KP0115ACBKG036CF	KP0115ACBKG03RGBP	KP0215ASAKG036CF	KP0215ASAKG03RGBP
KP0115ACBKG036CF-2FJB	KP0115ACBKG03RGBP-2FJB	KP0215ASAKG036CF-1FJB	KP0215ASAKG03RGBP-1FJB
KP0115ACBKG036CF-2SJB	KP0115ACBKG03RGBP-2SJB	KP0215ASAKG036CF-1SJB	KP0215ASAKG03RGBP-1SJB
KP0115ACBKG036CF-2TJB	KP0115ACBKG03RGBP-2TJB	KP0215ASAKG036CF-1TJB	KP0215ASAKG03RGBP-1TJB
KP0115ACBKG036CF-3FJB	KP0115ACBKG03RGBP-3FJB	KP0215ACBKG036CF	KP0215ACBKG03RGBP
KP0115ACBKG036CF-3SJB	KP0115ACBKG03RGBP-3SJB	KP0215ACBKG036CF-2FJB	KP0215ACBKG03RGBP-2FJB
KP0115ACBKG036CF-3TJB	KP0115ACBKG03RGBP-3TJB	KP0215ACBKG036CF-2SJB	KP0215ACBKG03RGBP-2SJB
KP0115ANBKG036CF	KP0115ANBKG03RGBP	KP0215ACBKG036CF-2TJB	KP0215ACBKG03RGBP-2TJB
KP0115ANBKG036CF-2FJB	KP0115ANBKG03RGBP-2FJB	KP0215ACBKG036CF-3FJB	KP0215ACBKG03RGBP-3FJB
KP0115ANBKG036CF-2SJB	KP0115ANBKG03RGBP-2SJB	KP0215ACBKG036CF-3SJB	KP0215ACBKG03RGBP-3SJB
KP0115ANBKG036CF-2TJB	KP0115ANBKG03RGBP-2TJB	KP0215ACBKG036CF-3TJB	KP0215ACBKG03RGBP-3TJB
KP0115ANBKG036CF-3FJB	KP0115ANBKG03RGBP-3FJB	KP0215ANBKG036CF	KP0215ANBKG03RGBP
KP0115ANBKG036CF-3SJB	KP0115ANBKG03RGBP-3SJB	KP0215ANBKG036CF-2FJB	KP0215ANBKG03RGBP-2FJB
KP0115ANBKG036CF-3TJB	KP0115ANBKG03RGBP-3TJB	KP0215ANBKG036CF-2SJB	KP0215ANBKG03RGBP-2SJB
		KP0215ANBKG036CF-2TJB	KP0215ANBKG03RGBP-2TJB
		KP0215ANBKG036CF-3FJB	KP0215ANBKG03RGBP-3FJB
		KP0215ANBKG036CF-3SJB	KP0215ANBKG03RGBP-3SJB
		KP0215ANBKG036CF-3TJB	KP0215ANBKG03RGBP-3TJB
		KP0215ASBKG036CF	KP0215ASBKG03RGBP
		KP0215ASBKG036CF-2FJB	KP0215ASBKG03RGBP-2FJB
		KP0215ASBKG036CF-2SJB	KP0215ASBKG03RGBP-2SJB
		KP0215ASBKG036CF-2TJB	KP0215ASBKG03RGBP-2TJB
		KP0215ASBKG036CF-3FJB	KP0215ASBKG03RGBP-3FJB
		KP0215ASBKG036CF-3SJB	KP0215ASBKG03RGBP-3SJB
		KP0215ASBKG036CF-3TJB	KP0215ASBKG03RGBP-3TJB

Amber/Blue bicolor is not included in the change.



www.nkkswitches.com • 1.877.2BUYNKK (228.9655)

7850 East Gelding Drive • Scottsdale, AZ 85260 • Telephone 480.991.0942 • Fax 480.998.1435