



PRODUCT DATASHEET

Lenina series

last update 31/10/2016

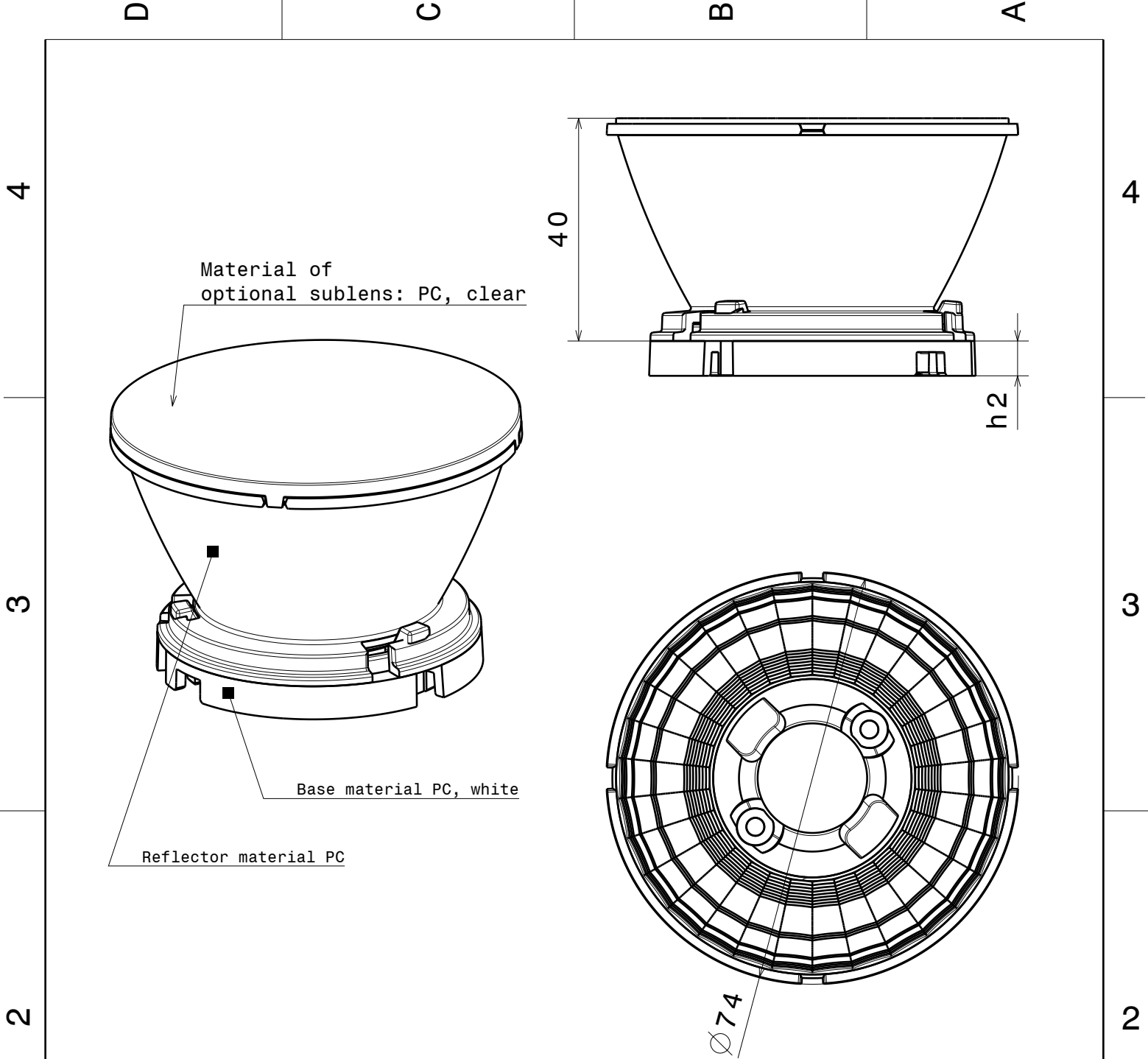
DETAILS

| | |
|------------------------|---------------------|
| Product Number | CN12655_LENINA-W-DL |
| Family | Lenina |
| Type | RefPack |
| Color | metal |
| Diameter | 74 mm |
| Height | 48,1 mm |
| Style | round |
| Optic Material | PC |
| Holder Material | |
| Fastening | screw |
| Status | production ready |
| ROHS Compliant | Yes |
| Date Updated | 31/10/2016 |

OPTICAL PROPERTIES

| LED | Viewing Angle | Light Beam | Efficiency | cd/lm | Connector |
|---------|---------------|------------|------------|------------|-----------|
| CL-L340 | 50 deg | Wide | 78 % | sim: 0.000 | - |






NOTE:

Using optional sublens, add 2.1mm to the system height

Dimension 'h2' varies from 4.5mm to 7mm depending on the LED specific base part

| | | | | |
|---|------------|---|----------------|---------------|
| This drawing is our property. It can't be reproduced or communicated without our written agreement. | |  Ledil Oy Salorankatu 10 FIN-24240 SALO Finland | | |
| | | | | DRAWING TITLE |
| DRAWN BY | DATE | Datasheet Lenina series | | |
| ks | 23.04.2014 | | | |
| CHECKED BY | DATE | SIZE | DRAWING NUMBER | REV |
| | | A4 | -- | 1 |
| DESIGNED BY | DATE | SCALE | WEIGHT (g) | SHEET |
| p1 | 08.03.2012 | 1:1 | | 1/1 |

NOTE: The typical divergence will be changed by different color, chip size and chip position tolerance. The typical total divergence is the full angle measured where the luminous intensity is half of the peak value.