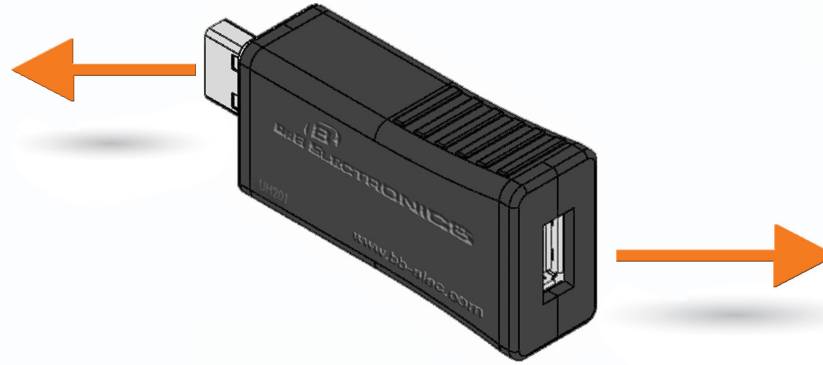
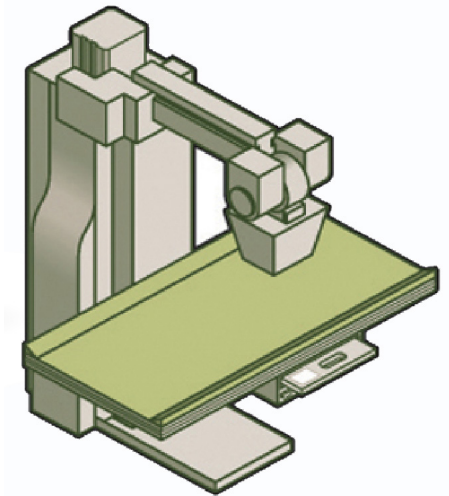




**PC  
(Upstream)**



**USB  
Port Guardian**



**USB Device  
(Downstream)**

### + Configuration Not Required

The USB isolator is transparent to the operating system. It does not require configuration.

### + Downstream Power

The USB isolator can provide up to 400 mA of current to the attached downstream device. But it can only do this if the USB host port is actually providing the specified 500 mA (Full Power) to the isolator.

Additional USB isolation products from B+B SmartWorx.

### + Range and Cable

You may use USB cable up to the standard 5 meter range.

	USB Speed	Isolation
<b>UH401</b>	Full (12 Mbps)	4 kV
<b>UH401-SL</b>	Low (1.5 Mbps)	4 kV
<b>UH401-2KV</b>	Full (12 Mbps)	2 kV
<b>UH401SL-2KV</b>	Low (1.5 Mbps)	2 kV

## Troubleshooting

### USB Power

Manufacturers don't always adhere to the USB specifications. You may discover that your computer/host is not providing the full 500 mA at the upstream USB port. If your downstream device relies upon USB power it may not function correctly.

Here are two ways to resolve the problem:

A powered USB isolator like B+B SmartWorx's UHR401 & UHR402 will restore the full 500 mA power and provide it to connected USB devices while simultaneously protecting them from electrical transients.

A powered USB hub like B+B SmartWorx's UHR304 will also provide 500 mA to connected devices, while giving you additional USB ports at the same time.

### USB Range

USB has a range limitation of five meters. You can extend the range up to 30 meters using USB hubs. For longer ranges you can use USB extenders.

### Recommended Accessories

**UE204**  
USB to Ethernet Hub



**UHR304**  
4 Port Powered USB Hub



## QUICK START GUIDE



### UH201

Compact USB "key" Isolator

Before you begin, be sure you have the following:

+ USB to USB Isolator

**B+B SMARTWORX**

Powered by

**ADVANTECH**

1-888-948-2248 | Europe: +353 91 792444

[advantech-bb.com](http://advantech-bb.com)

707 Dayton Road | PO Box 1040 | Ottawa, IL 61350

Phone: 815-433-5100 | Fax: 815-433-5109

[www.advantech-bb.com](http://www.advantech-bb.com) | E-mail: [support@advantech-bb.com](mailto:support@advantech-bb.com)

**B+B SMARTWORX**

Powered by

**ADVANTECH**

Fast and easy on the web: [www.advantech-bb.com](http://www.advantech-bb.com)