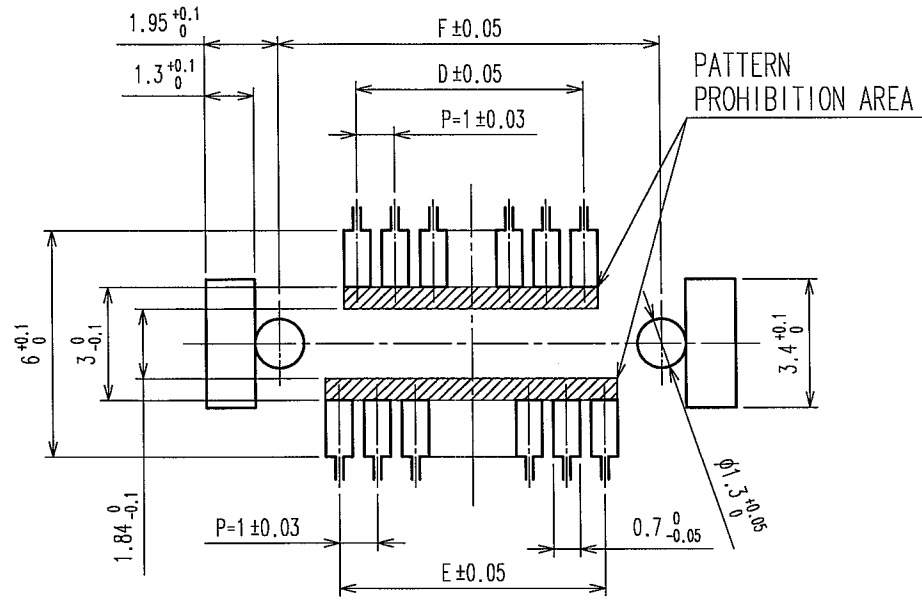


Apr.1.2017 Copyright 2017 HIROSE ELECTRIC CO., LTD. All Rights Reserved.

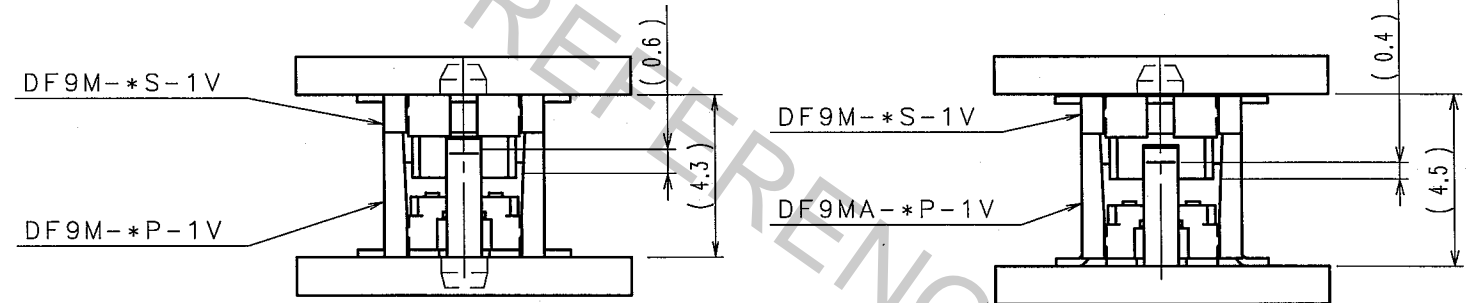
COUNT	DESCRIPTION OF REVISIONS	BY	CHKD	DATE	COUNT	DESCRIPTION OF REVISIONS	BY	CHKD	DATE

RECOMMENDED PATTERN

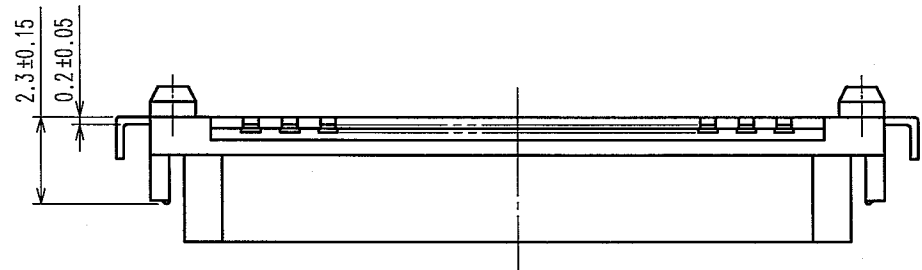
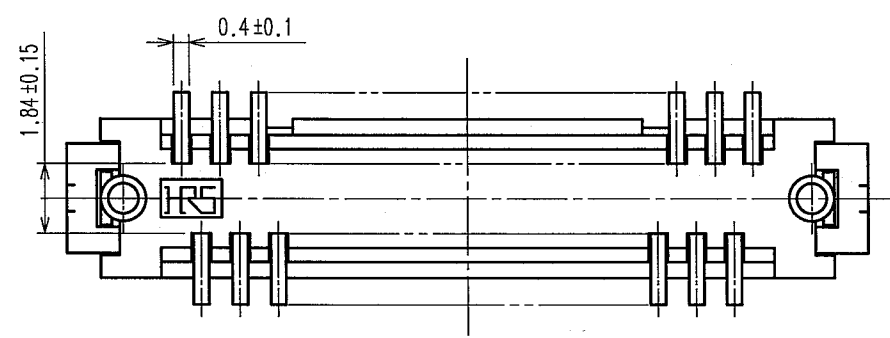
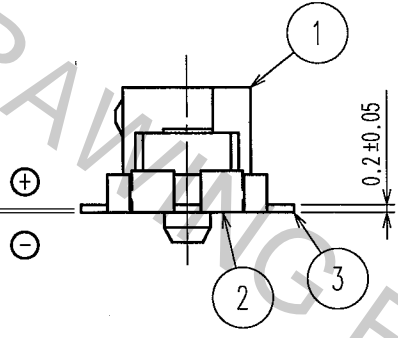
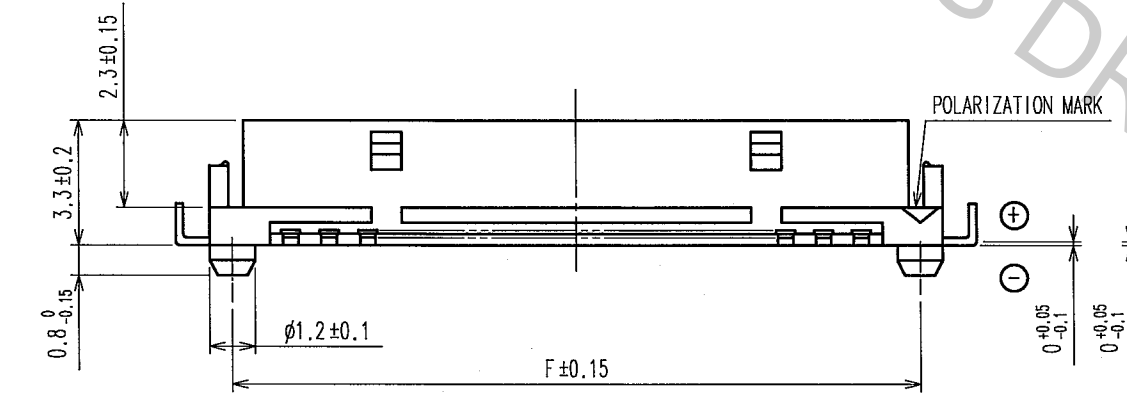
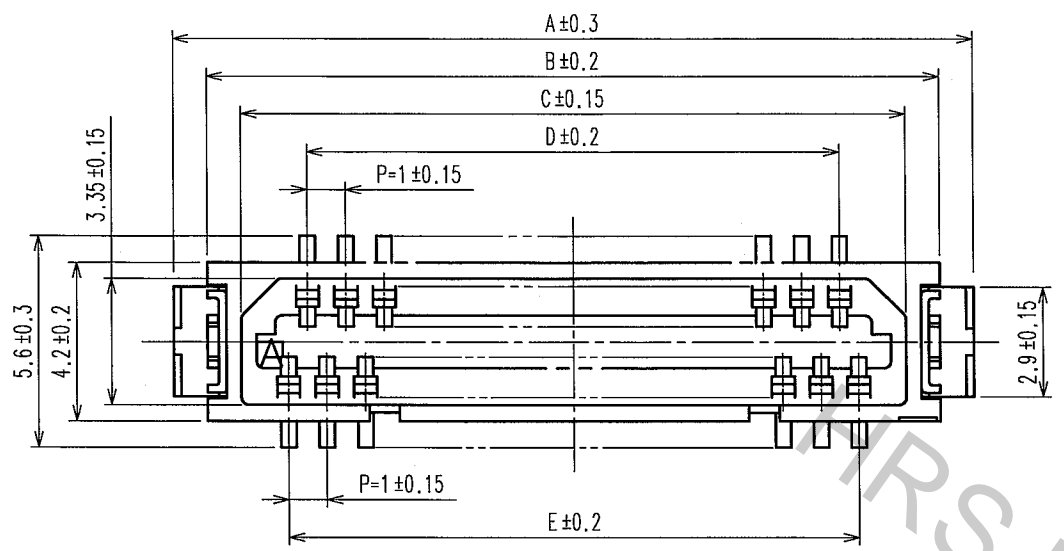


PART NO.	CODE NO.	NUMBER OF CONTACTS	A	B	C	D	E	F
DF9M-31S-1V(32)	540-0219-8-32	31	21.1	19.3	17.5	14	15	18.1
DF9M-41S-1V(32)	540-0228-9-32	41	26.1	24.3	22.5	19	20	23.1

MATED CONNECTORS



NOTE1 : LEAD CO-PLANARITY INCLUDE REINFORCED METAL FITTINGS SHALL BE 0.1 MAX.



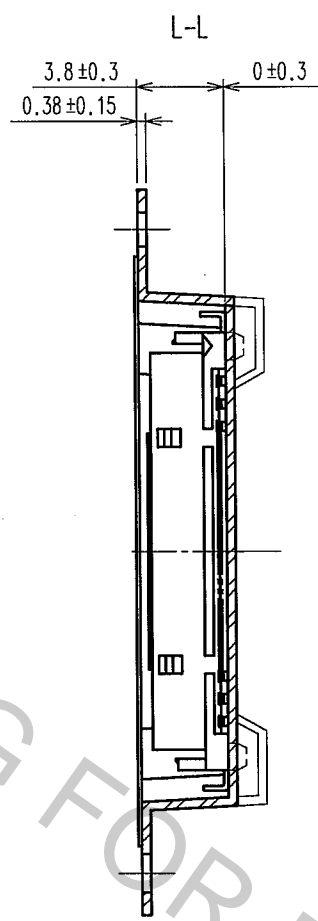
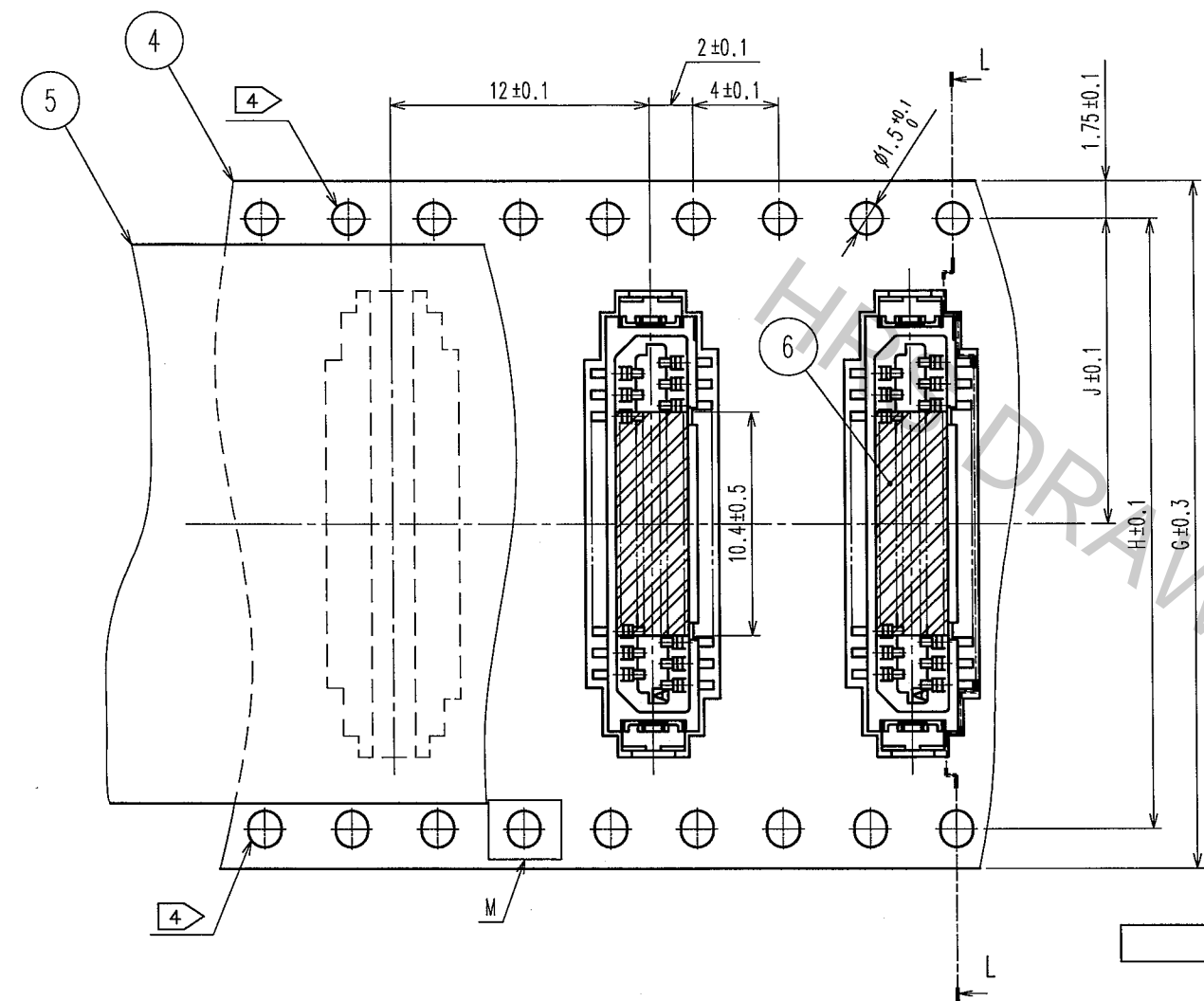
3	PHOSPHOR BRONZE	TIN PLATED(HOT DIP) 1μ m min	7	PS	BLACK(PLASTIC REEL)
2	PHOSPHOR BRONZE	TIN PLATED(REFLOW FINISHED) 1μ m min	6	POLYIMIDE	BROWN(HEAT-RESISTANCE TAPE)
1	POLYAMIDE	BEIGE,UL94V-0	5	POLYESTER	CLEAR(COVER TAPE)
NO.	MATERIAL	FINISH, REMARKS	NO.	MATERIAL	FINISH, REMARKS

CODE NO. (OLD) CL	DRAWN H. Marukami	DESIGNED J. Oai	CHECKED T. Miyajima	APPROVED M. Takamura	RELEASED
DATE 05.10.03	DATE 05.10.03	DATE 05.10.04	DATE 05.10.04	DATE	DATE
DRAWING NO. EDC3-310760-01		PART NO. DF9M-*S-1V(32)			
SCALE 5 : 1		CODE NO. CL540		1/2	
UNITS mm		HRS HIROSE ELECTRIC CO., LTD			

TO

Apr.1.2017 Copyright 2017 HIROSE ELECTRIC CO., LTD. All Rights Reserved.

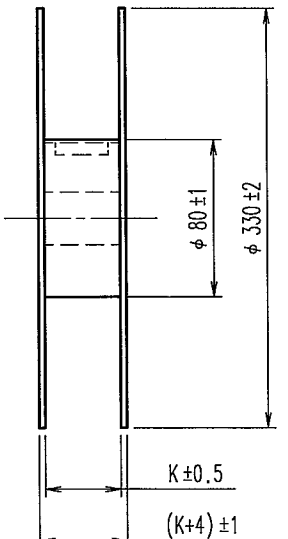
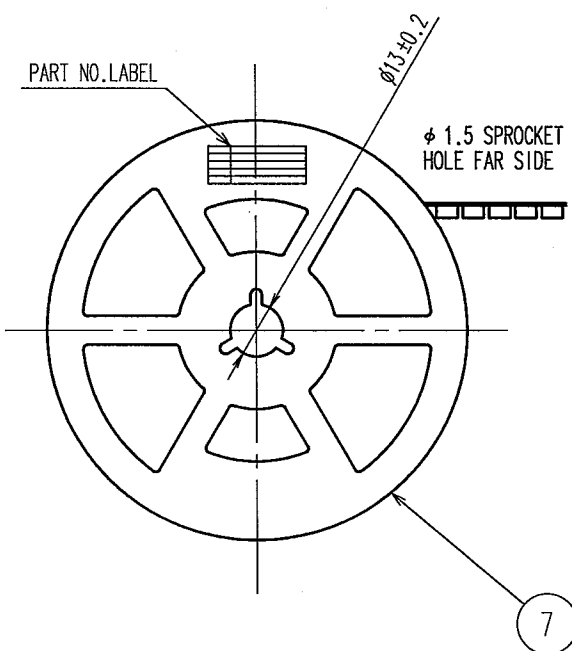
COUNT	DESCRIPTION OF REVISIONS	BY	CHKD	DATE	COUNT	DESCRIPTION OF REVISIONS	BY	CHKD	DATE
△				..	△				..
△				..	△				..
△				..	△				..



CODE NO.	NUMBER OF CONTACTS	G	H	J	K
CL540-0219-8-32	31	32	28.4	14.2	33.5
CL540-0228-9-32	41	44	40.4	20.2	45.5

DIRECTION OF UNREEFING

STYLE AND DIMENSION OF REEL (FREE)

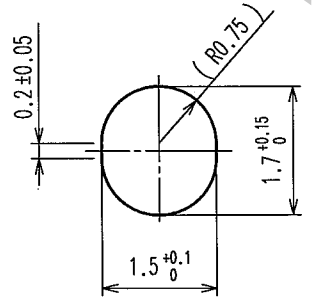


DETAIL OF PART NO. LABEL

SUPPLIER
QUANTITY
PART NO.
CODE NO.
DATE OF MANUFACTURED

生産月日	年 月 日
図番	CL540-****-**-32
品名	DF9M-*S-1V(32)
納入数量	1000K ϕ
納入者	ヒロセ電機(株)

- NOTES 2 : 1 REEL 1000 CONNECTORS.
 3 : AT THE BEIGINNING OF THE REEL, 30 COMPONENTS SHALL BE EMPTY. AT THE END OF THE REEL, 20 COMPONENTS SHALL BE EMPTY.
 4 : LET THE SENDING HOLE OF 31 OR MORE CONTACTS IS ESTABLISHED IN BOTH SIDES, AS SHOWN IN A FIGURE.
 5 : PEEL FORCE REFERS TO JIS C 0806.



CODE NO. (OLD) CL	DRAWN H. Marakami	DESIGNED T. Ooi	CHECKED T. Nijayaki	APPROVED M. Yokamura	RELEASED
SCALE FREE	DRAWING NO. EDC3-310760-01		PART NO. DF9M-*S-1V(32)		
UNITS mm	HRS HIROSE ELECTRIC CO., LTD		CODE NO. CL540		2/2

TO