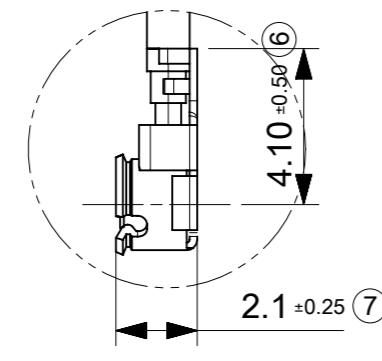
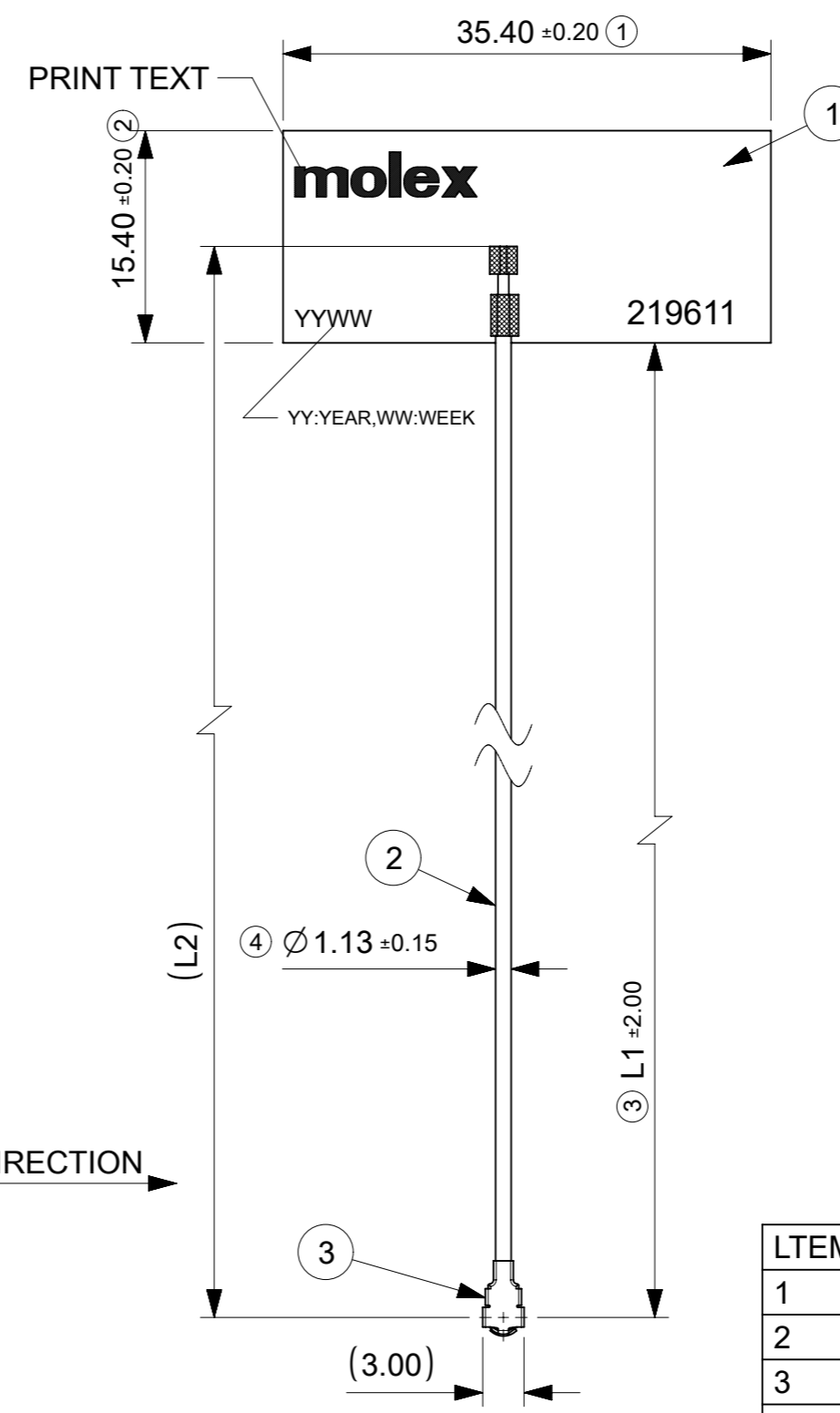
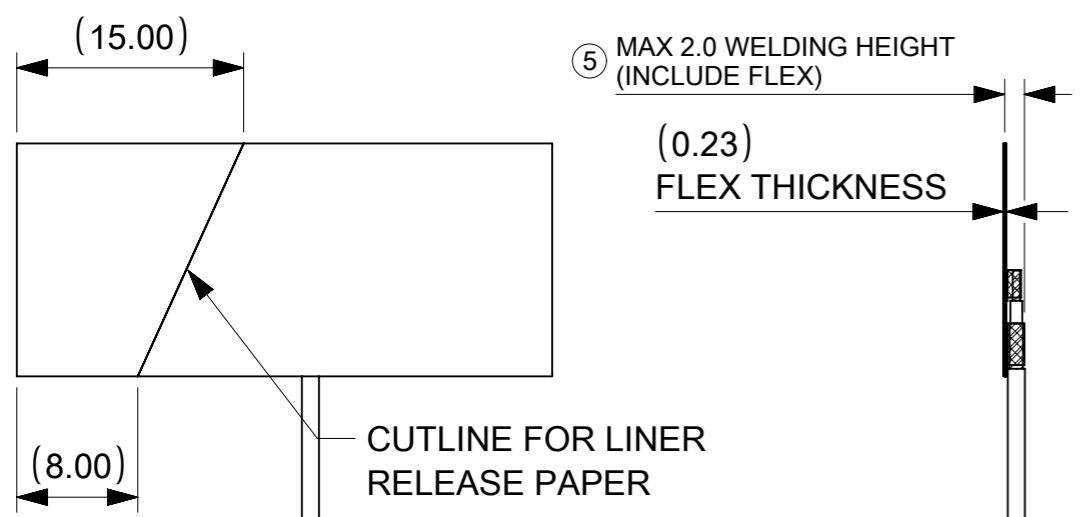


REV	DATE	DESCRIPTION
A	2021/12/15	FIRST RELEASE
A1	2022/08/02	UPDATE NOTES



LTEM	DESCRIPTION
1	FPC
2	CABLE
3	CONNECTOR

LTEM	MATERIAL P/N	"L1"LENGTH	"L2"LENGTH
1	2196110050	43	50
2	2196110100	93	100
3	2196110150	143	150
4	2196110200	193	200
5	2196110250	243	250
6	2196110300	293	300

- NOTES:
- MATERIAL:  
CONNECTOR:RF 2.5H MHF-1 CONNECTOR(GOLD PLATED).  
FLEX SOLDER MASK:BLACK.  
CABLE COLOR:BLACK.  
ADHESIVE:3M9077(T:50UM)
  - FOR PULL TEST, CAN NOT LIFT UP IN THE VERTICAL DIRECTION.
  - THE CONNECTOR WILL BE PROTECTED WITH A CAP.

THIS DRAWING CONTAINS INFORMATION THAT IS PROPRIETARY TO MOLEX ELECTRONIC TECHNOLOGIES, LLC AND SHOULD NOT BE USED WITHOUT WRITTEN PERMISSION

DIMENSION UNITS	SCALE	CURRENT REV DESC:		<b>molex</b>		
mm	1:1					
GENERAL TOLERANCES (UNLESS SPECIFIED)		EC NO: 716377		WIFI6E LOW GAIN FLEX ANTENNA		
ANGULAR TOL ± 2.0°		DRWN: KCHENG06 2022/08/02				
4 PLACES ±		CHK'D: HORACM1 2022/08/03		PRODUCT CUSTOMER DRAWING		
3 PLACES ± 0.2		APPR: HORACM1 2022/08/03				
2 PLACES ± 0.25		INITIAL REVISION:		DOCUMENT NUMBER		
1 PLACE ± 0.3		DRWN: KCHENG06 2021/12/15		2196110100		
0 PLACES ± 0.5		APPR: HORACM1 2021/12/27		PSD 000 A1		
DRAFT WHERE APPLICABLE MUST REMAIN WITHIN DIMENSIONS		THIRD ANGLE PROJECTION	DRAWING	SERIES	MATERIAL NUMBER	CUSTOMER
			A3-SIZE	219611	SEE TABLE	GENERAL MARKET
						SHEET NUMBER
						1 OF 1