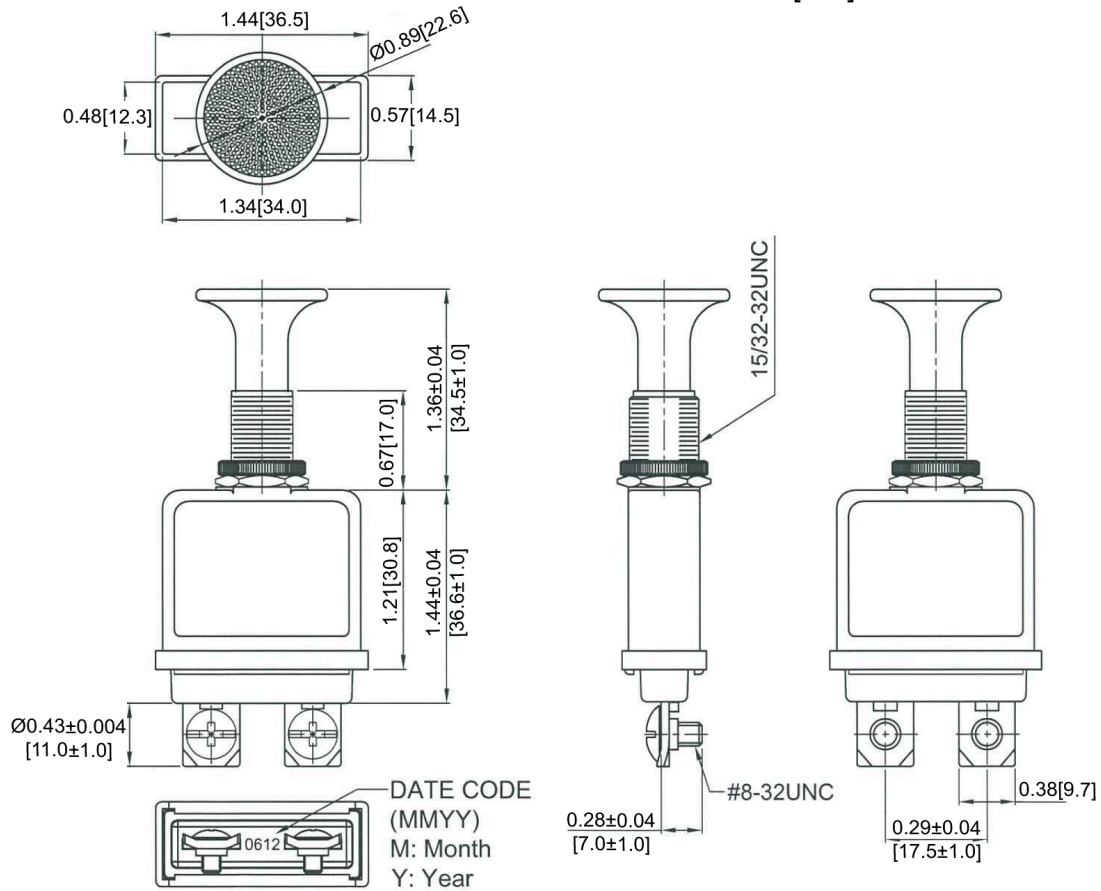
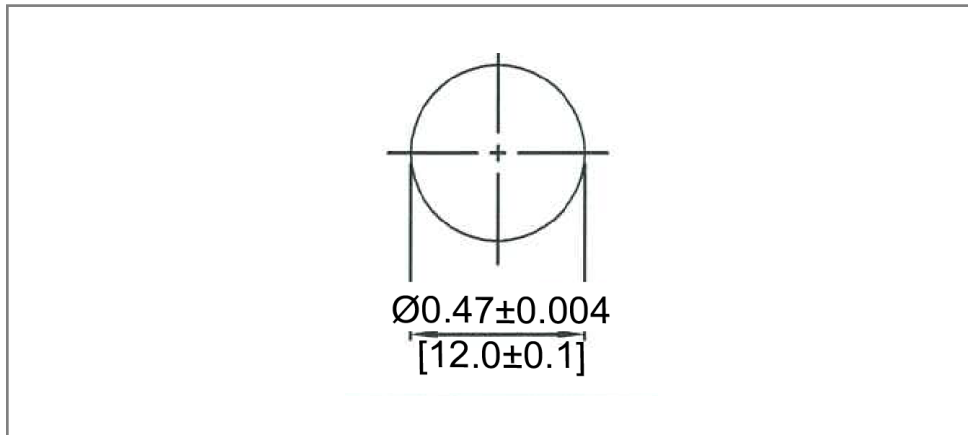


Mechanical Dimensions: Inches [mm]

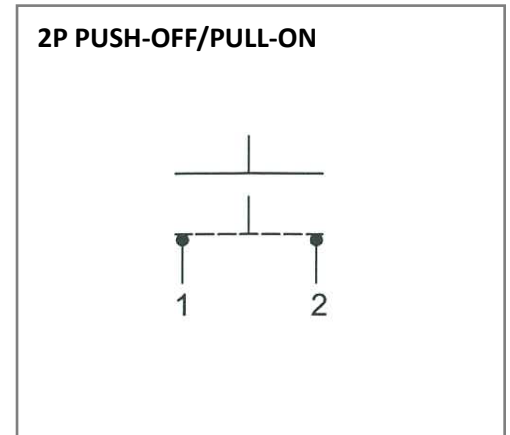
Tolerances ± 0.012 [0.3] Unless Otherwise Specified



Mounting Hole



Circuit Diagram



Electrical Specifications

Rating	75A, 6-28V DC
Contact Resistance	50m ohm Max.
Insulation Resistance	DC 500V 100M ohm Min
Dielectric Strength	AC 500V 1 minute
Operation Temperature	-25°C ~ 85°C

Material Specifications

Frame	Nickel Plated, Zn Alloy
Actuator	Black Plated, Zn Alloy
Terminals	Copper Alloy. #8-32UNC

Push-Pull Switch

PP-1A-DC-7-B



Rev **Date of issue** **Revision Notes**

Designed **Approved**

A	05-18-2021	Initial Drawing	RC	OF
---	------------	-----------------	----	----