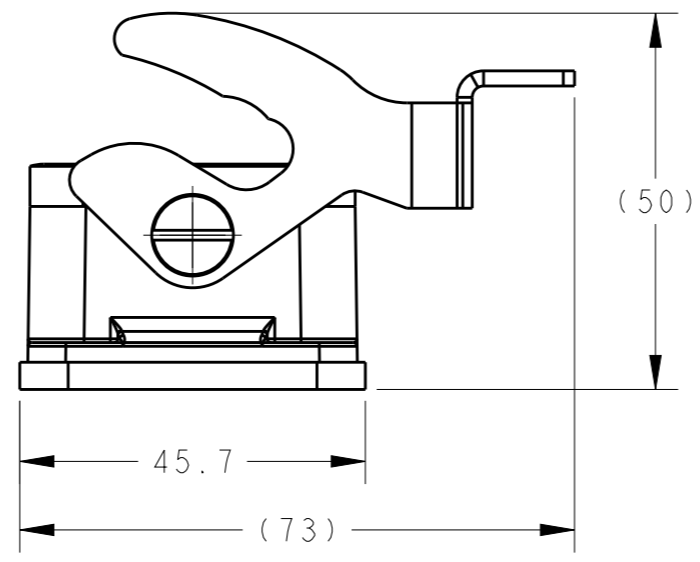
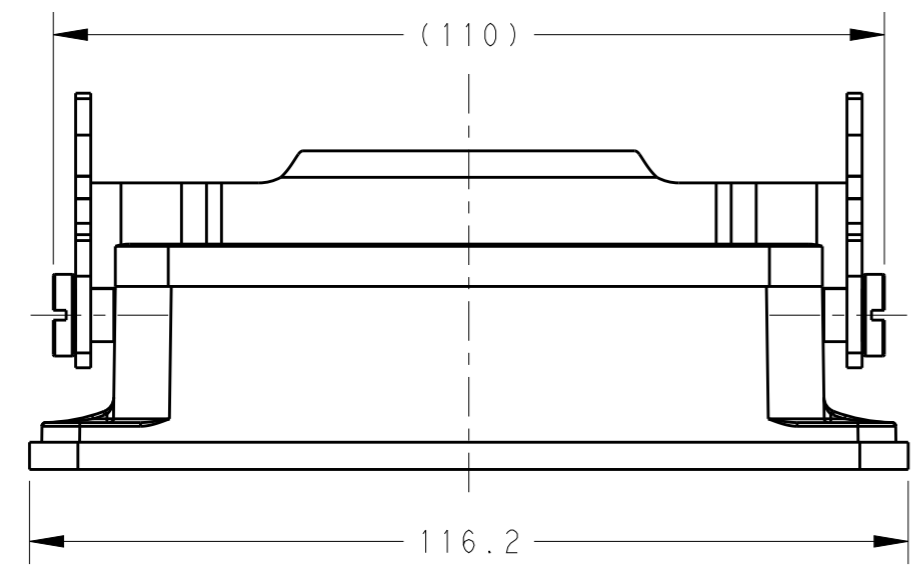


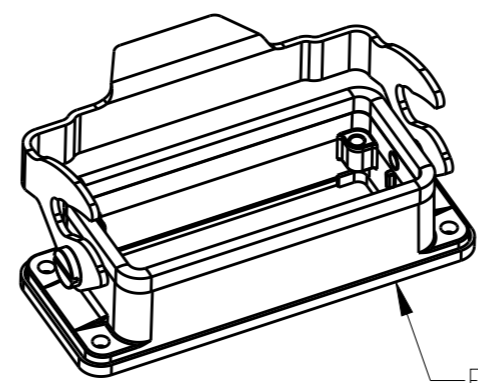
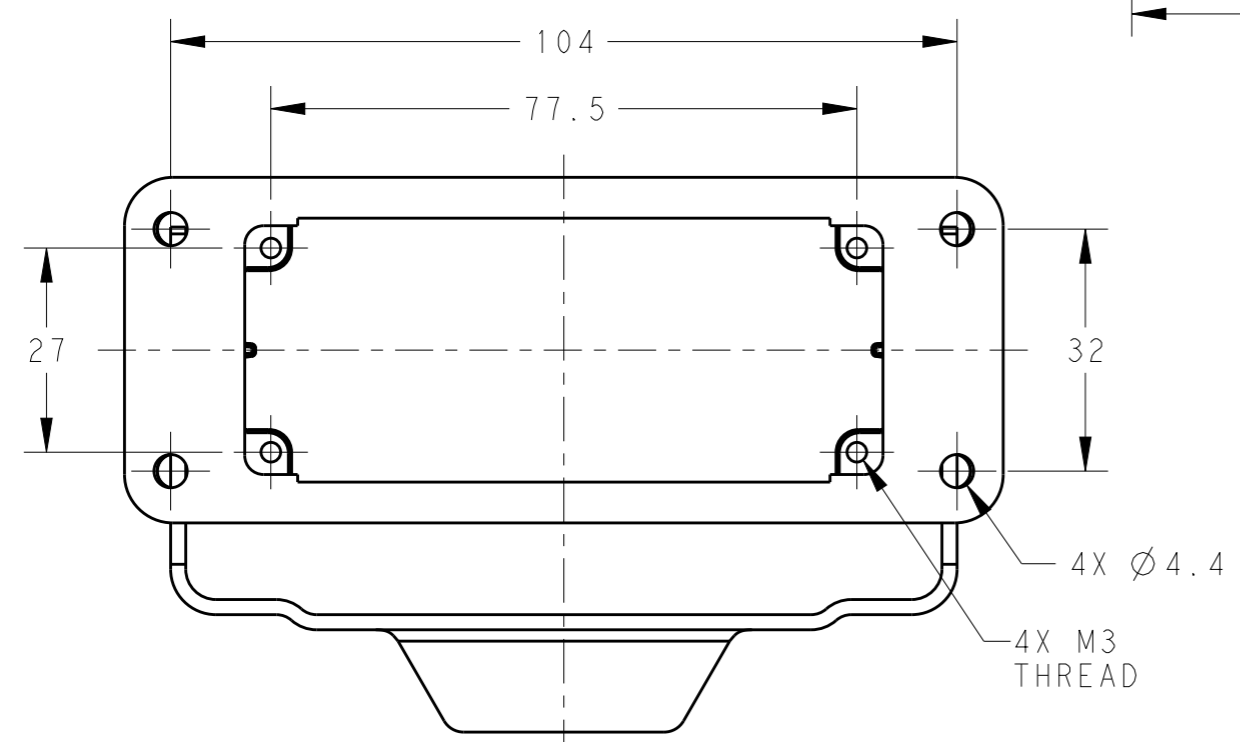
THIS DRAWING IS UNPUBLISHED. RELEASED FOR PUBLICATION 20
 © COPYRIGHT 20 BY - ALL RIGHTS RESERVED.

REVISIONS					
P	LTR	DESCRIPTION	DATE	DWN	APVD
	A	INITIAL	10JUN2015	DW	CW



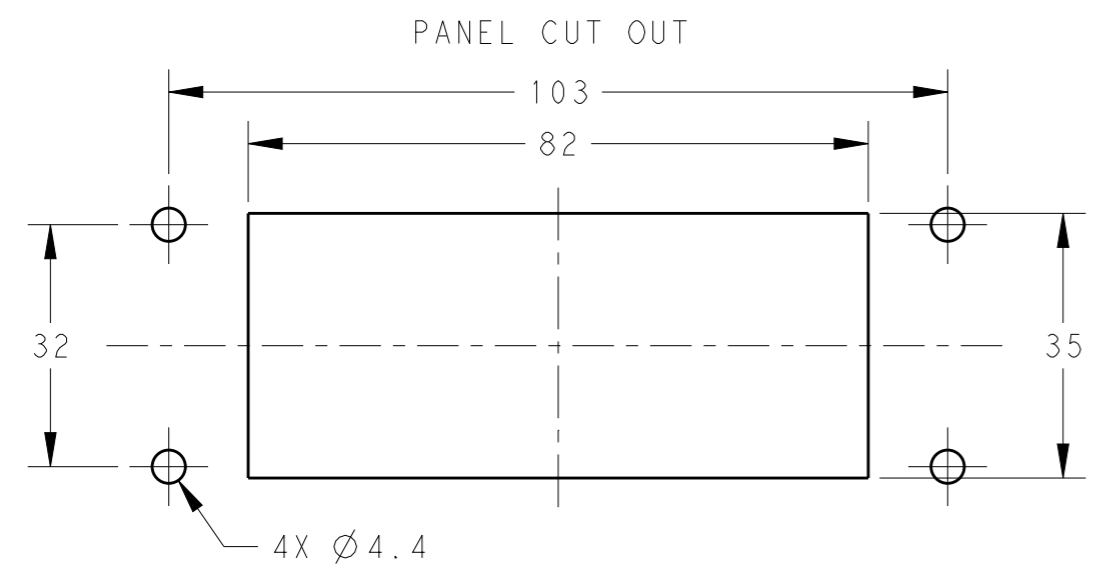
NOTES:
 1. TECHNICAL CHARACTERISTICS:
 HOUSING MATERIAL: DIE CAST ALUMINIUM ALLOY
 SURFACE: POWDER COATED, GREY
 OPERATION TEMPERATURE: -40-+125°C
 DEGREE OF PROTECTION: IP65 (MATED)

注释:
 1. 技术参数:
 下壳材料: 铝合金
 表面处理: 粉末涂层, 灰色
 工作温度: -40-+125°C
 防护等级: IP65(配合)



SCALE 1:2

T1500163000-000	H16B-AG-LB	GREY
T1500163000-100	H16B-AG-LB	GREY FLANGE SEALING FIXED BY GLUE WITH HOUSING
PART NUMBER	DESCRIPTION	HOUSING COLOR



THIS DRAWING IS A CONTROLLED DOCUMENT.		DWN 25JUN2015 David Wang	TE Connectivity	
DIMENSIONS: mm		CHK 25JUN2015 Chris Wang		
TOLERANCES UNLESS OTHERWISE SPECIFIED:		APVD 25JUN2015 Xiang Xu	NAME H16B-AG-LB	
0 PLC ±-		PRODUCT SPEC 108-137013	SIZE A3	
1 PLC ±-		APPLICATION SPEC 114-137013	CAGE CODE 00779	DRAWING NO T1500163000X00
2 PLC ±-		WEIGHT -	RESTRICTED TO -	
3 PLC ±-		MATERIAL -	SCALE 1:1	
4 PLC ±-		FINISH -	SHEET 1 OF 1	
ANGLES ±-		Customer Drawing		
		REV A		