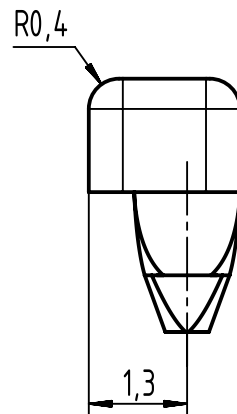
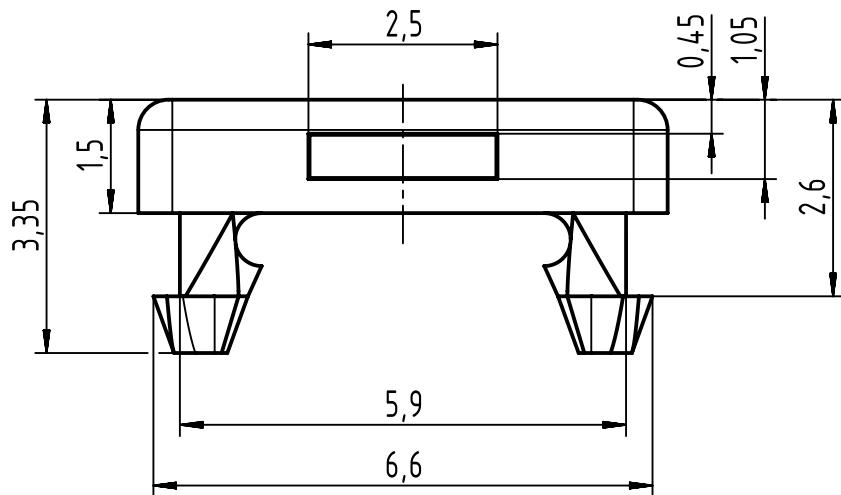


RFID Chip  
possible option



09458500011	colour-clip black
09458500010	colour-clip brown RAL 8004
09458500009	colour-clip green
09458500008	colour-clip blue
09458500007	colour-clip red
09458500006	colour-clip orange
09458500005	colour-clip magenta RAL 4003
09458500004	colour-clip pink RAL 3015
09458500003	colour-clip yellow
09458500002	colour-clip grey
09458500001	colour-clip white RAL 1013
HARTING part-no.	Description



All Dimensions in mm  
Original Size DIN A4

Scale  
10:1

Free size tol.

Ref.

Sub.



All rights reserved

Department EC PD - RO

Created by  
TAMAS

Inspected by  
AVRAM

Standardisation  
HOFFMANN

Date  
2016-03-07

State  
Final Release

Title  
Colour-Clip for RJ Industrial

Doc-Key / ECM-Nr.  
100181900/UGD/001/B  
500000101270

HARTING Electronics GmbH  
D-32339 Espelkamp

Type  
TB

Number  
094585000XX

Rev.  
B

Page  
1/1