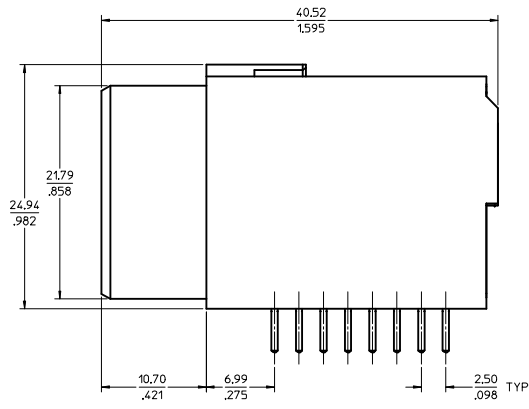
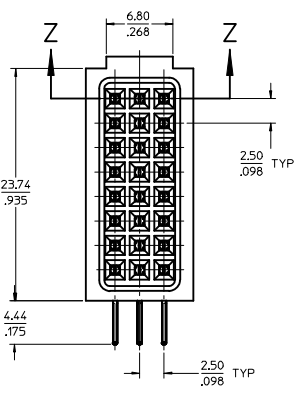
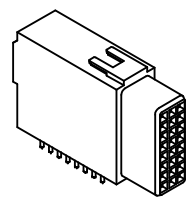
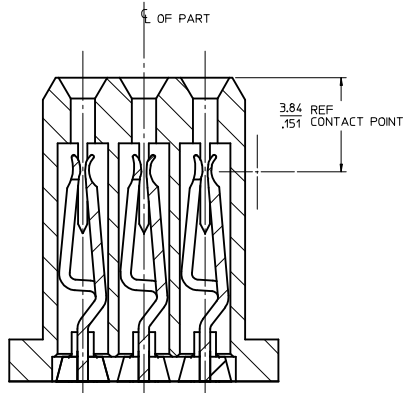
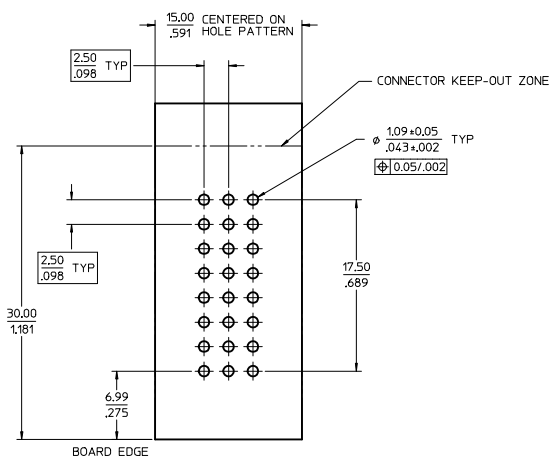
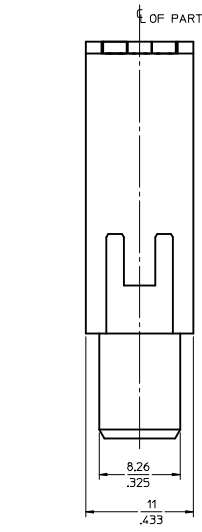


ASSEMBLY MATERIAL NUMBER	NUMBER OF CIRCUITS	DESCRIPTION
46225-5024	24	RIGHT ANGLE SIGNAL MODULE

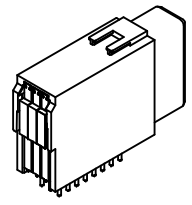
(A1)

NOTES:

- MATERIALS:
  - HOUSING: 90% GLASS FILLED, LCP 94V-0, COLOR: BLACK
  - TERMINALS: COPPER ALLOY
- PLATING: PER ES-88-228.
  - 0.75/30 μ INCH MIN. SELECT HARD GOLD IN CONTACT AREA WITH 2.50/100 μ INCH MIN. SELECT TIN IN TAIL AREA OVER 1.25/50 μ INCH MIN. NICKEL OVERALL
- LUBRICATION: EB1 IN CONTACT AREA
- SEE CHART FOR REFERENCE DOCUMENTS
- MODULE IS DESIGNED FOR SOLDERING TO THE PCB
- MODULE ASSEMBLY IS RoHS COMPLIANT
- MODULES TO BE UL & CSA LISTED PER UL-1977
- FINAL ASSEMBLY TO BE PACKAGED AND LABELED PER PACKAGING KIT DRAWING NUMBER PK-45841-500



SECTION Z-Z SCALE 10:1



<b>REV CHRT &amp; ADD NOTE</b> IEC NO: UCF2008-0639 DRAWN: JUILLES 2007/09/27 CHKD: 2007/09/27 APPR: APATEL 2007/10/03	QUALITY SYMBOLS	GENERAL TOLERANCES (UNLESS SPECIFIED)	DIMENSION STYLE	SCALE	DESIGN UNITS	THIRD ANGLE PROJECTION
	▽=0	mm INCH	MM/IN	4:1	METRIC	☉
	▽=0	4 PLACES ± .005 3 PLACES ± .010 2 PLACES ± 0.13 1 PLACE ± 0.25	DATE	DATE	DATE	DATE
	▽=0	ANGULAR ±1/2°	APATEL 2006/10/16	DMCGOWAN 2006/10/13	APATEL 2006/10/16	JUILLES 2006/10/12
DRAFT WHERE APPLICABLE MUST REMAIN WITHIN DIMENSIONS		RATERIAL NO.	DOCUMENT NO.		SHEET NO.	
		SEE CHART	SD-46225-100		1 OF 1	
THIS DRAWING CONTAINS INFORMATION THAT IS PROPRIETARY TO MOLEX INCORPORATED AND SHOULD NOT BE USED WITHOUT WRITTEN PERMISSION						