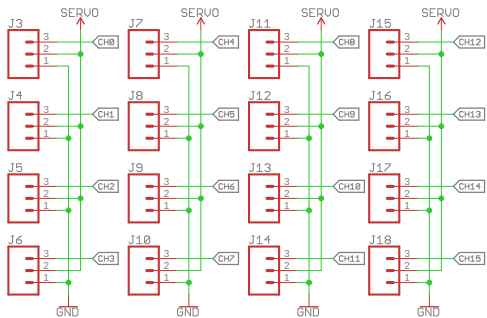
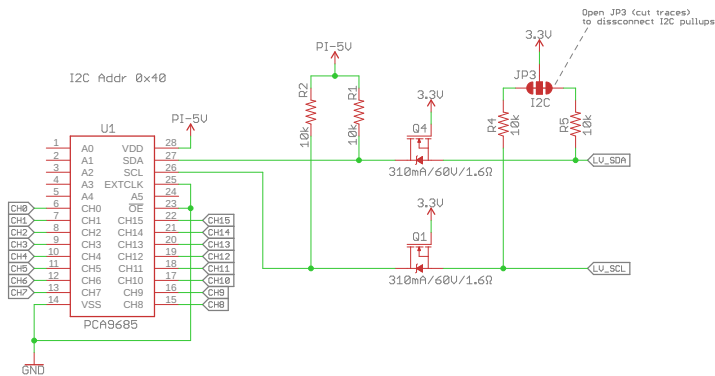


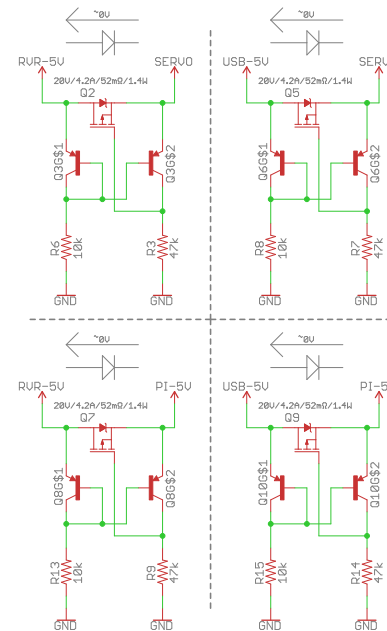
Servo Connections



PWM Control

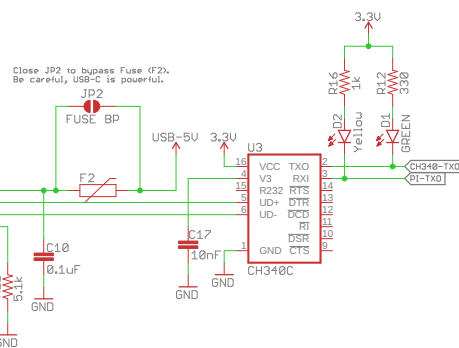


Reverse Current Protection

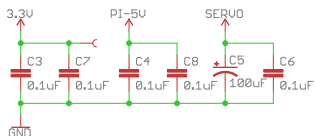


USB-to-Serial Converter

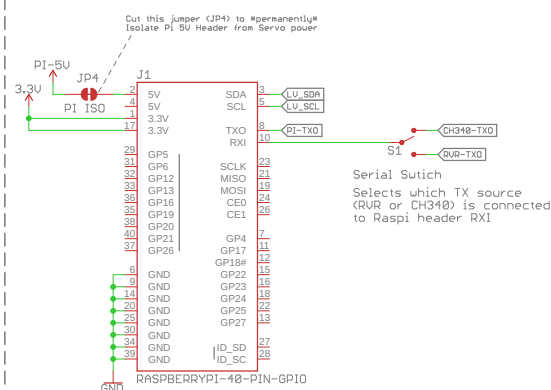
UCC RANGE: 5V only (via USB or J21)



Close JP2 to bypass Fuse (F2). Be careful, USB-C is powerful!

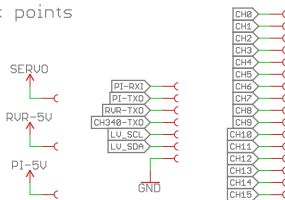


Raspberry Pi Header

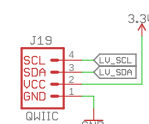


Serial Switch
Selects which TX source (RVR or CH340) is connected to Raspi header RX1

Test points

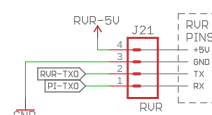


QWIIIC



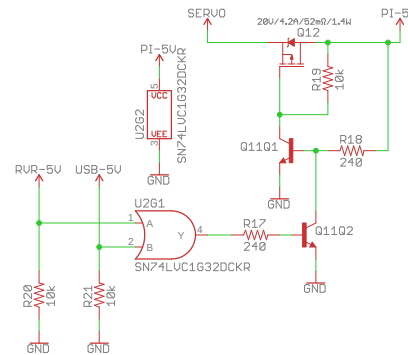
Serial UART 4-pin Header

(Mates with Sphero RVR)



Servo Power Auto-Select

(Isolates Pi 5V header from Servo power when USB OR RVR is connected)



Released under the Creative Commons Attribution Share-Alike 4.0 License
<https://creativecommons.org/licenses/by-sa/4.0/>



TITLE: Pi_Servo_pHAT

Design by: M. Hord
Revised by: Pete Lewis

REV: v21

Date: 6/28/2019 5:00 PM

Sheet: 1/1

