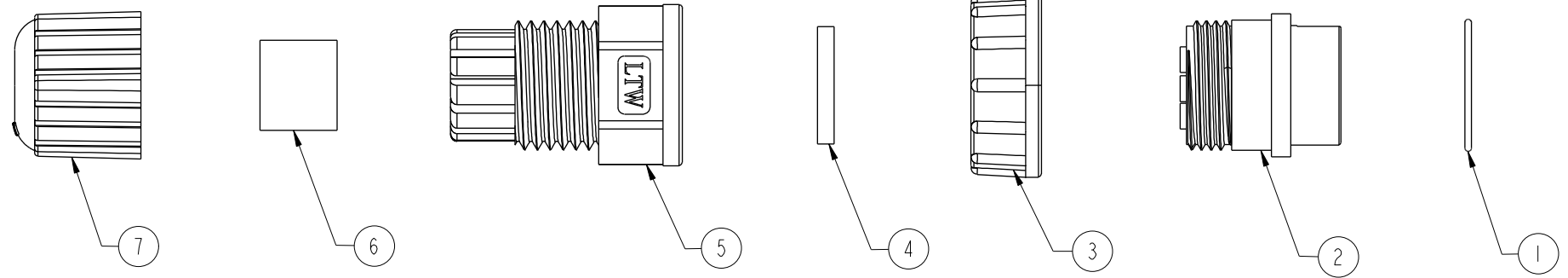
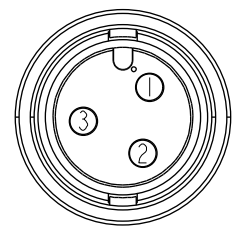


REV.	ECN NO.	DATE	SIGN	DESCRIPTION
B	LEN-870146	2008/07/25	Yuri	Update Drawing

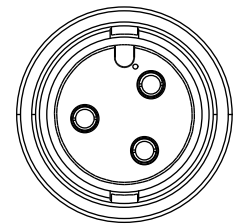
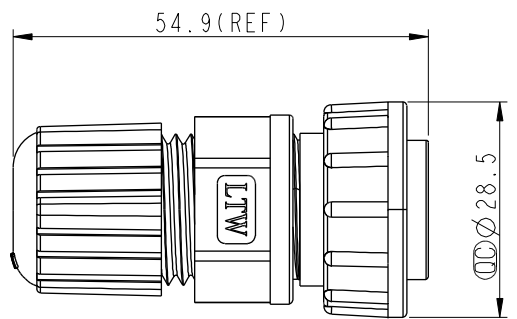
ALTW  
DCC. DEPT.  
CONFIDENTIAL  
2012-06-13  
ISSUED



ALTW  
CONFIDENTIAL  
2012-05-04  
R&D DEPT.



Pin Assignments  
Front View



Conn.

Notes:

- \*  $\varnothing$  Important Dimension To Check.
- \* Waterproof Rate: IP67
- \* Housing: Black, Nylon+GF
- \* Pin: Copper Alloy, Gold Plated
- \* Nut: Black, Nylon+GF
- \*  $\triangle B$  Gasket: Black, Silicone
- \* Ring: Black, EPDM
- \* Clamp Ring: Black, Nylon
- \*  $\triangle B$  Seals: Black, EPDM
- \* Sealing Nut: Black, Nylon
- \* Seal For Cable OD:  $\varnothing$  5.5mm~10.8mm
- \* One Set Unassembled In One PE Bag

A	UNIT:mm			TITLE Large Assy Lock 3Pin F Conn F Pin			ITEM NO DC-03BFFA-LL7001	DRAWN BY SamChang	DATE 2012-05-04
	TOLERANCE .X ±0.25 .XX ±0.1 .XXX ±0.05 ANGLES ±1°	SCALE 1:1	SIZE A4	SHEET 1	OF 1	DWG NO DC-03BFFA-LL7001	CHECKED BY Jeffrey	DATE 2012-06-13	
	REV. B	WC-REV. A.3	$\varnothing$ : Inspection item			CUSTOMER ALTW	APPROVED BY Lion	DATE 2012-06-13	
	Amphenol LTW 安費諾亮泰企業股份有限公司						8 FWW10702-01-02A1		

THIS DOCUMENT IS SUBJECT TO CHANGE WITHOUT NOTICE. IT IS CONFIDENTIAL AND A PROPERTY OF Amphenol LTW. DISCLOSURE TO THIRD PARTY HAS TO BE AUTHORIZED BY Amphenol LTW.