



SPECIFICATION FOR PIEZO Speaker

TOTAL PAGE 07

www.bestargroups.com

RoHS

Preliminary Specification For The Acoustic Characteristics of Piezo Speaker

Customer		Model Name	BPS1319H1.3
Customer P/N		Product No.	250151
Date	07 Jun. 16	Issue No.	BS/TEPS01.009A
Page	01 of 07	Issue Date	2016/06/07

Approval:

1. Technical Terms
2. Drawing
3. Reliability Test
4. Packing
5. History Change Record

Drawn by	Checked by	Approved by	Customer approved
魏春欢	赵 峰	徐金国	

BESTAR HOLDING CO.,LTD

No.199 HuangHe West Road,New district,ChangZhou,JiangSu Province,P.R.China

Tel: +86 519 88222567

Fax: +86 519 88222551

E-mail:wu@be-star.com

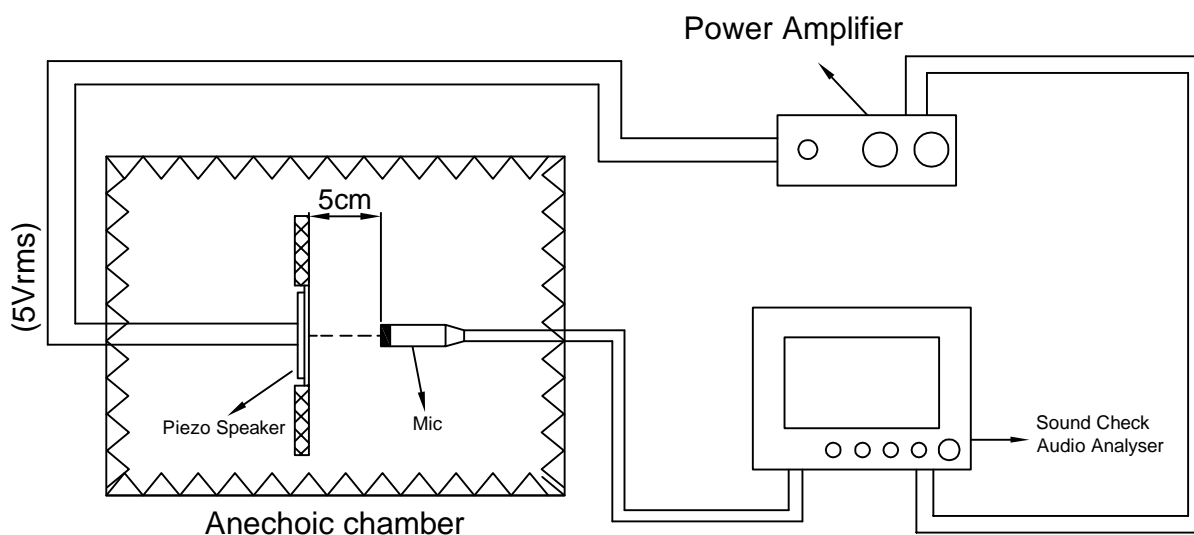
<http://www.bestargroups.com>

BPS1319H1.3

1. Technical Terms

No.	Item	Specifications
1.	Size	13x19X1.3mm
2.	Resonance frequency	15 00±300Hz
3.	Rated input voltage	7Vrms
4.	Maximum input voltage	9Vrms
5.	S.P.L(5Vrms 5cm)	88±3 dB(Avg1.2, 1.5, 1.8, 2.0, 3, 3.5, 4 KHz)
6.	Operating temperature	- 20...+70°C
7.	Storage temperature	-30...+85°C
8.	Weight	0.7g ±15%

1.2 Test Method

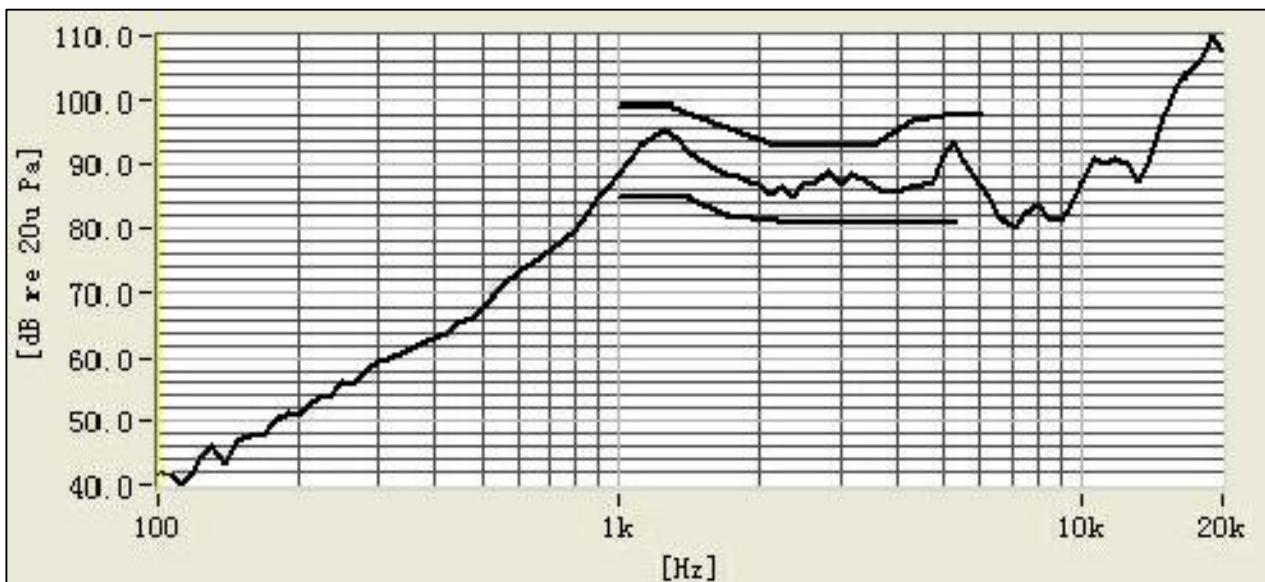


This print and information there in are proprietary to BeStar Holding Co., Ltd. and shall not be used in whole or in part without its written consent

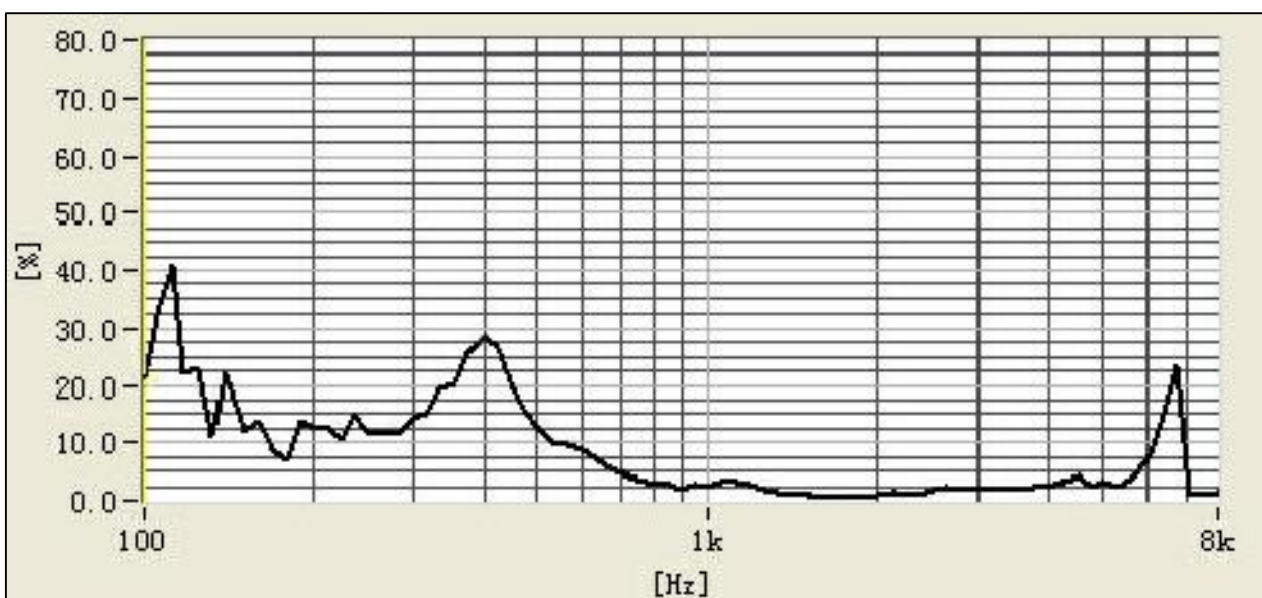
				Date:	2016/06/07	BPS1319H1.3
				Drawn by:	魏春欢	
				Checked by:	赵 崢	
Rev.	Date	Drawn	Note	Approved by:	徐金国	Pizeo Speaker
BESTAR HOLDING CO.,LTD						DRG NO:BS/TEPS01.009B Page:02 of 07
www.bestargroups.com wu@be-star.com						

BPS1319H1.3

1.3 Frequency Response Curve (only for reference)



1.4 Total Harmonic Distortion Curve (only for reference)

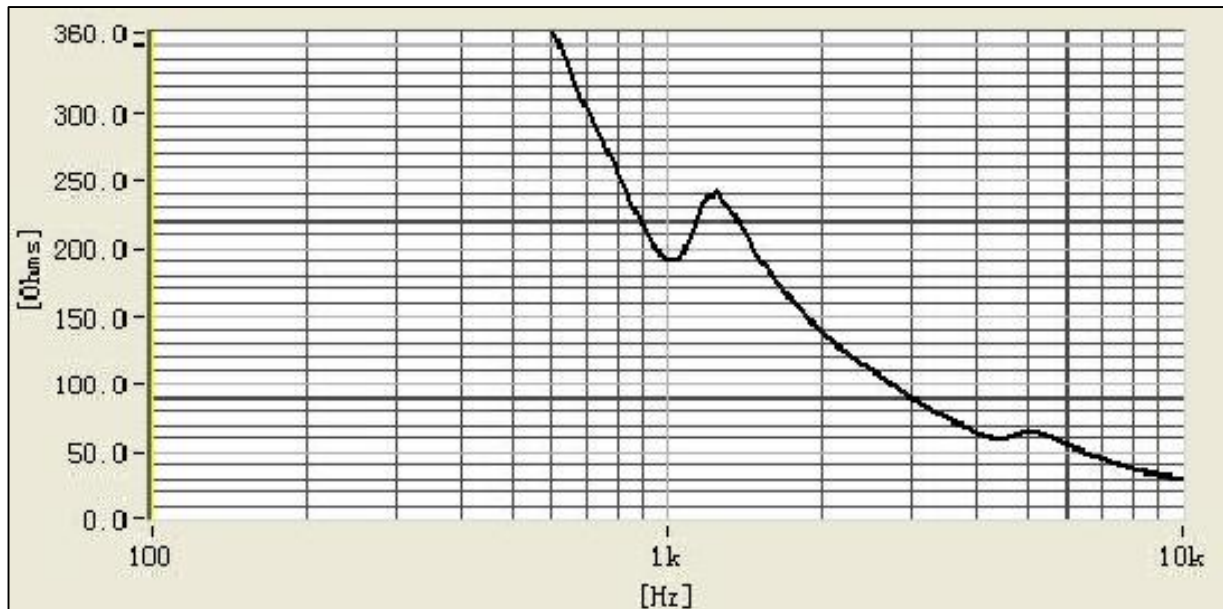


This print and information there in are proprietary to BeStar Holding Co., Ltd. and shall not be used in whole or in part without its written consent

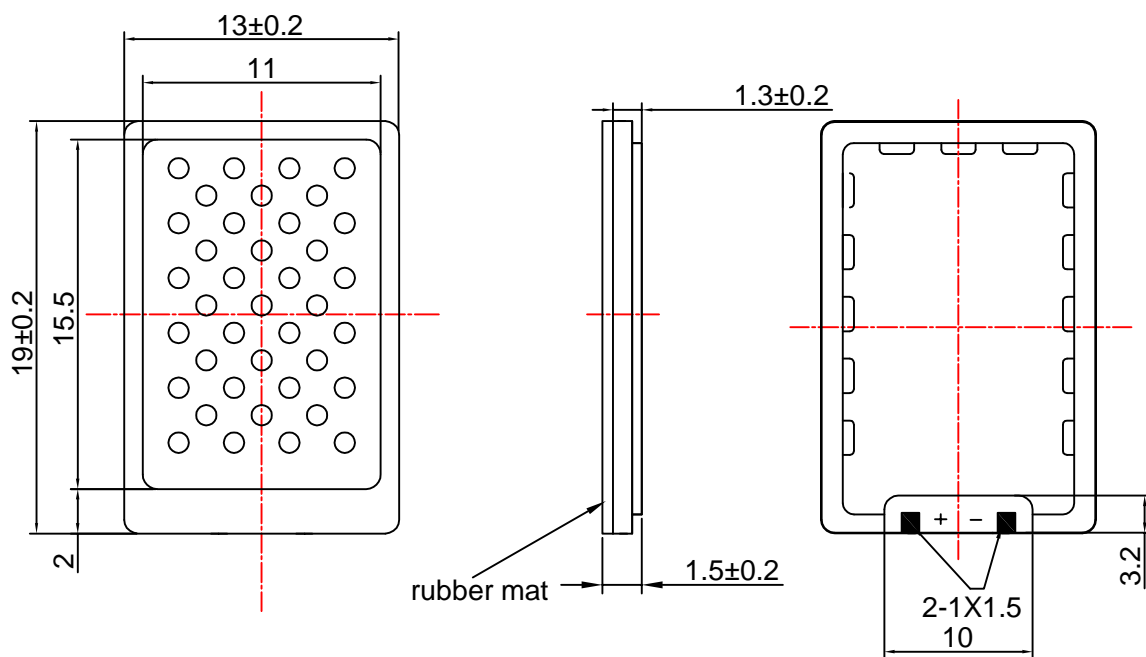
				Date:	2016/06/07	BPS1319H1.3
				Drawn by:	魏春欢	
				Checked by:	赵 峥	Piezo Speaker
Rev.	Date	Drawn	Note	Approved by:	徐金国	
BESTAR HOLDING CO.,LTD						DRG NO:BS/TEPS01.009B
www.bestargroups.com wu@be-star.com						Page:03 of 07

BPS1319H1.3

1.5 Impedance Response Curve (only for reference)



2.Drawing

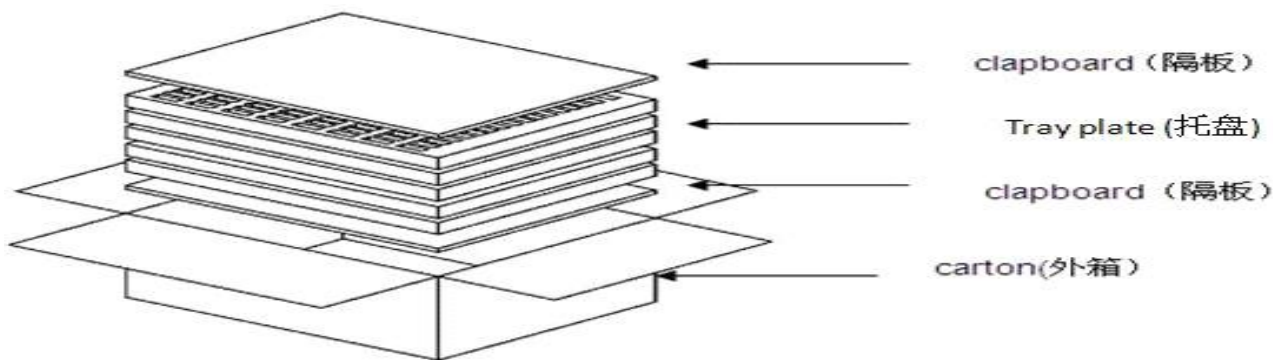
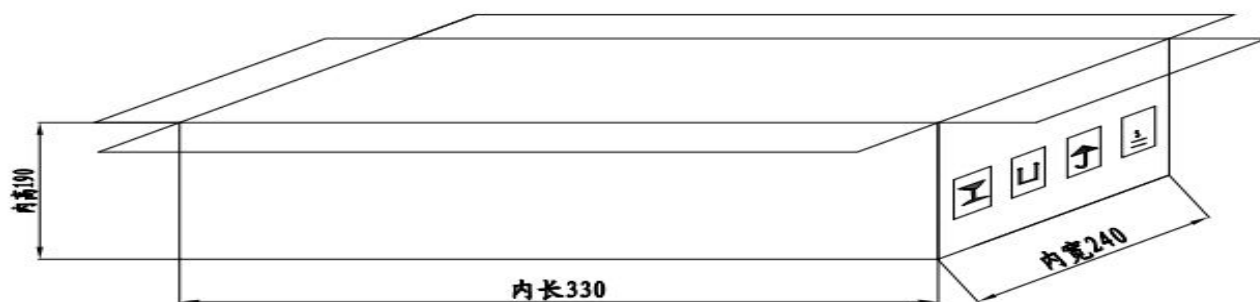
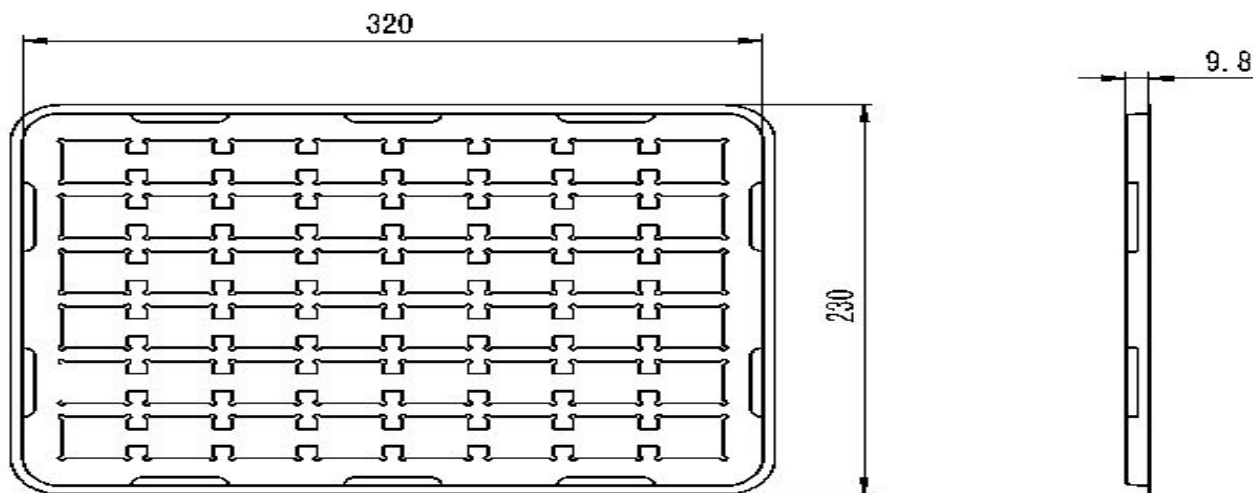


This print and information there in are propriety to BeStar Holding Co., Ltd. and shall not be used in whole or in part without its written content.

				Date:	2016/06/07	BPS1319H1.3
				Drawn by:	魏春欢	
				Checked by:	赵 峥	
Rev.	Date	Drawn	Note	Approved by:	徐金国	Piezo Speaker
BESTAR HOLDING CO.,LTD						DRG NO:BS/TEPS01.009B
www.bestargroups.com wu@be-star.com						Page:04 of 07

BPS1319H1.3

4. Packing



45pcs Tray Plate per carton,
 2pcs cardboard per carton,
 2160pcs per carton,
 Net Weight:4.5KG
 Gross Weight:5KG

				Date:	2016/06/07	BPS1319H1.3	
				Drawn by:	魏春欢		
				Checked by:	赵 峥	Piezo Speaker	
Rev.	Date	Drawn	Note	Approved by:	徐金国		
BESTAR HOLDING CO.,LTD						DRG NO:BS/TEPS01.009B	Page:06 of 07
www.bestargroups.com wu@be-star.com							

This print and information there in are proprietary to BeStar Holding Co., Ltd. and shall not be used in whole or in part without its written content.

