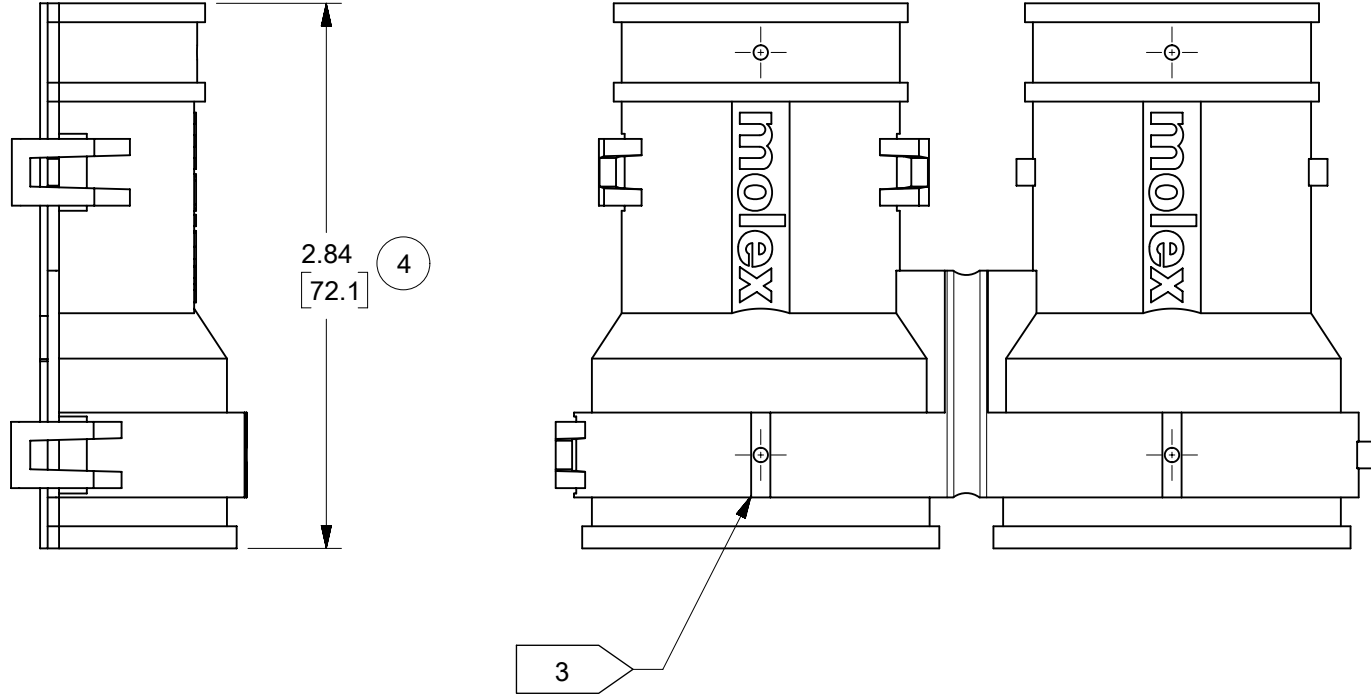
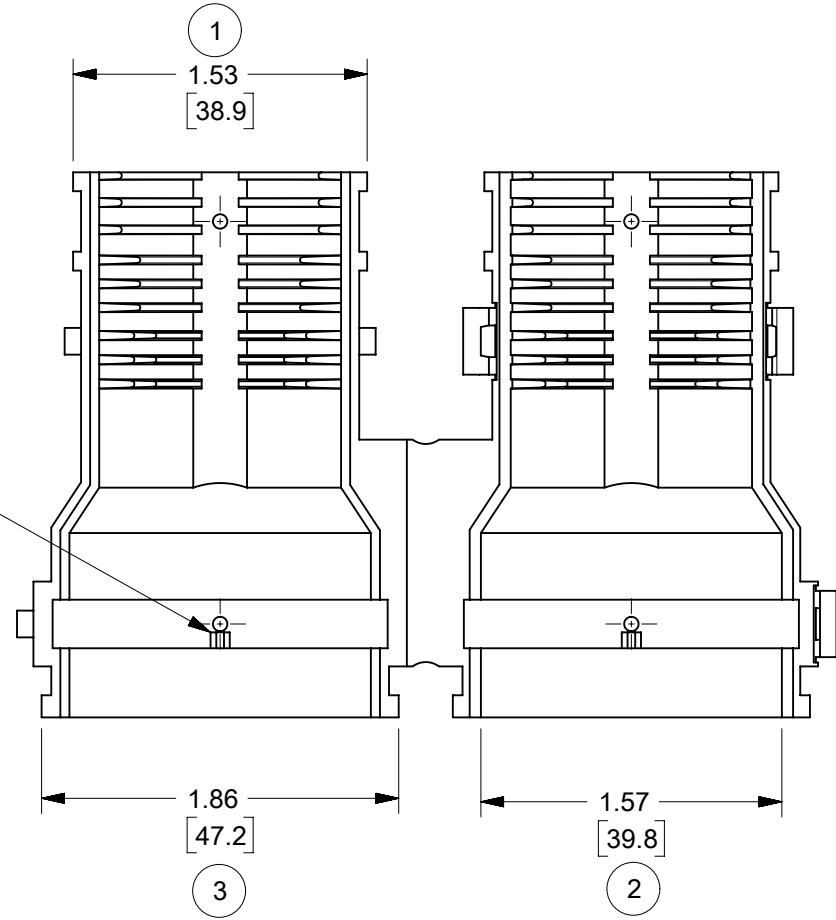


SCALE 3:4



- NOTES:
1. MATERIAL: NYLON (PA6/6), BLACK, UL94 V-2.
 2. MATES WITH PART NUMBERS: 845050003, 845060003, 845100005, 845110005.
 3. CRENELLATION TABS MUST ALIGN WITH MATING PART NOTCHES.
 4. RoHS COMPLIANT.
 5. BACKSHELL ACCEPTS CORRUGATED TUBING ID SIZES 17, 19 AND 26MM.

LAST INSPECTION NO.: 4

THIS DRAWING CONTAINS INFORMATION THAT IS PROPRIETARY TO MOLEX ELECTRONIC TECHNOLOGIES, LLC AND SHOULD NOT BE USED WITHOUT WRITTEN PERMISSION									
QUALITY SYMBOLS	CAD MIGRATION	GENERAL TOLERANCES (UNLESS SPECIFIED)		DIMENSION UNITS	SCALE				
		MM	INCH	IN[MM]	1:1				
▽ = 0	EC NO: 122085 DRWN: CRAODOREMS CHK'D: SMCGREEVY APPR: JDWALLACE	4 PLACES ±	±	DRWN BY	DATE	LONG BACKSHELL, STRAIGHT 24 SHELL SIZE XRC			
▽ = 0		3 PLACES ±	±	TMOELLER	2008/08/14				
▽ = 0		2 PLACES ±	± 0.02	CHK'D BY	DATE	PRODUCT CUSTOMER DRAWING			
▼ = 0		1 PLACES ±	0.51	TMOELLER	2008/08/14				
▽ = 0		0 PLACES ±	±	APPR BY	DATE	SERIES MATERIAL NUMBER CUSTOMER 84537 845370003 GENERAL MARKET			
⊠ = 0		ANGULAR TOL ± 0.5°		RDEROSS	2008/08/14				
■ = 0	DRAFT WHERE APPLICABLE MUST REMAIN WITHIN DIMENSIONS		DRAWING SIZE	THIRD ANGLE PROJECTION	DOCUMENT NUMBER DOC TYPE DOC PART SHEET NUMBER SD-84537-003 PSD 001 1 OF 1				
▽ = 0	C1	REV	B						