

Si871x LED EMULATOR INPUT ISOLATOR EVALUATION BOARD USER'S GUIDE

1. Introduction

The Si871x evaluation board allows designers to evaluate Silicon Lab's family of CMOS based LED Emulator Input isolators. The Si871x isolators are pin-compatible, single-channel, drop-in replacements for popular optocouplers with data rates up to 15 Mbps. These devices isolate high-speed signals and offer performance, reliability, and flexibility advantages not available with optocoupler solutions. The Si871x series is based on Silicon Labs' proprietary CMOS isolation technology for low-power and high-speed operation and are resistant to the wear-out effects found in optocouplers that degrade performance with increasing temperature, forward current, and device age. As a result, the Si871x series offer longer service life and dramatically higher reliability compared to optocouplers. Ordering options for the family include a push-pull output stage with or without an output enable pin to select a default output state (Hi-Z, logic-low, or logic-high). The evaluation kit consists of three separately orderable boards with each board featuring either the DIP8, SOIC8, or SDIP6 package. For more information on configuring the isolator itself, see the Si871x product data sheet and as well as application note "AN681: Using the Si87xx Family of Digital Isolators".

1.1. Kit Contents

The Si871x Evaluation Kit contains the following items:

- Si871x based evaluation board as shown in Figures 1 through 3.
- Si871x LED Emulator Input isolator (installed on the evaluation board)
 - Si8718 (DIP8, SOIC8)
 - Si8719 (SDIP6)



Figure 1. Si871x DIP8 Evaluation Board Overview



Figure 2. Si871x SOIC8 Evaluation Board Overview

Si871x-EVB



Figure 3. Si871x SDIP6 Evaluation Board Overview

2. Required Equipment

The following equipment is required to demonstrate the evaluation board:

- 1 digital multimeter
- 2 multimeter test leads (red and black)
- 1 oscilloscope (Tektronix TDS 2024B or equivalent)
- 1 BNC splitter
- 3 coaxial cables
- 1 dc power supply (HP6024A, 30 V dc, 0–100 mA or equivalent)
- 2 BNC to clip converters (red and black)
- 2 Banana to clip wires (red and black)
- 1 Clip to Clip wire (any color)
- 1 function generator (Agilent 33220A, 20 MHz or equivalent)
- Si871x Evaluation Board (board under test)
- Si871x LED Emulator Input Evaluation Board User's Guide (this document)

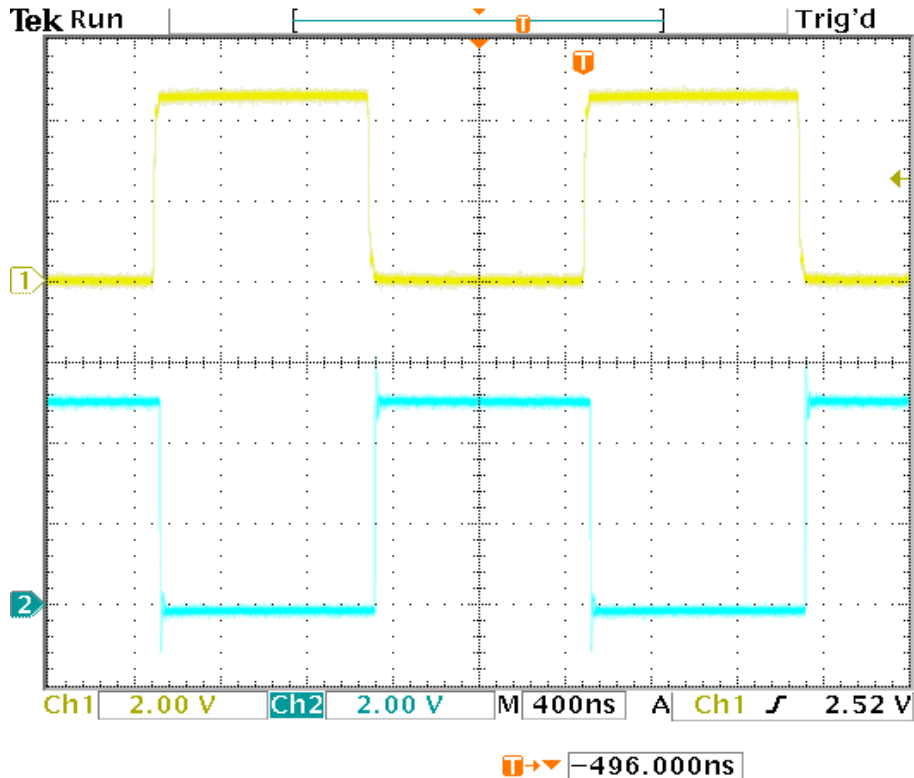
Si871x-EVB

3. Hardware Overview and Demo

Figure 4 illustrates the connection diagram to demonstrate the Si871x-DIP8 EVB. The other footprint boards demonstrate in a similar fashion. This demo transmits a 500 kHz (5 V peak, 50 percent duty cycle) square wave through the isolator to its output (Vo). In this example, VDD is powered by a 5 V supply. Figure 5 shows a scope shot of CH1 (input) and CH2 (output). Note that if a user wants to evaluate an LED Emulator Input isolator other than the ones prepopulated, this can be accomplished by removing the installed device and replacing it with the desired footprint-compatible isolator device.



Figure 4. Summary Diagram and Test Setup



13 Dec 2013
22:45:04

Figure 5. Oscilloscope Display of Input and Output

3.1. Board Jumper Settings

To run the demo, follow the instructions below. Review Figure 4 and Figures 9 through 11 if necessary.

1. If demonstrating the SOIC8 or DIP8 EVB featuring the Si8718, ensure that J2 is installed as shown in Figure 1 or 2.
2. If demonstrating the SDIP6 EVB featuring the Si8719, ensure that J2 is installed as shown in Figure 3.

3.2. DC Supply Configuration

1. Turn OFF the dc power supply and ensure that the output voltage is set to its lowest output voltage.
2. Connect the banana ends of the black and red banana to clip terminated wires to the outputs of the dc supply.
3. Then, connect the clip end of the red and black banana to clip wires to P2. The red wire goes to Pin1. The black wire goes to Pin4.
4. Turn ON the dc power supply.
5. Adjust the dc power supply to provide 5 V on its output.
6. Ensure that the current draw is less than 25 mA. If it is larger, this indicates that either the board or Si871x has been damaged or the supply is connected backwards.

3.3. Wave Form Generator

1. Turn ON the arbitrary waveform generator with the output disengaged.
2. Adjust its output to provide a 500 kHz, 0 to 5 V peak square wave (50 percent duty cycle) to its output.
3. Split the output of the generator with a BNC splitter.
4. From the BNC splitter, connect a coaxial cable to CH1 of the scope. This will be the input.
5. Connect a second coaxial cable to the BNC splitter, and connect a BNC-to-clip converter to the end of the coaxial cable.
6. From here, connect the clip end of the BNC-to-clip converter to P1, Pin1 (red wire here) and Pin3 (black wire here). The positive terminal is Pin1 on P1.
7. Connect one end of a third coaxial cable to a BNC-to-clip converter (note that a scope probe can be used here instead).
8. From here, connect the clip end of the BNC-to-clip converter to P2, Pin3 (red wire here) and Pin4 (black wire here). Vo is on P2 Pin3.
9. Connect the other end of the coaxial cable to CH2 of the oscilloscope. This will be the output.
10. Engage the output of the waveform generator.

3.4. Oscilloscope Setup

1. Turn ON the oscilloscope.
2. Set the scope to Trigger on CH1 and adjust the trigger level to 1 V minimum.
3. Set CH1 and CH2 to 2 V per division.
4. Adjust the seconds/division setting to 400 ns/division.
5. Adjust the level indicator for all channels to properly view each channel as shown in Figure 5.

A 500 kHz square wave should display on Channel 1 of the scope for the input and a 5 V delayed and inverted version of this square wave should display the output on Channel 2, as shown in Figure 5. This concludes the basic demo. For more advanced demos, see the following sections.

3.5. Adjusting Input Signal Frequency and VDD

Now is a good time to explore some additional functionality of the board. From here the user can do the following:

1. Slowly adjust VDD down to 3 V and up to 5.5 V. Then, take the VDD voltage below 2 V. Once below 2 V, it can be seen that the Si871x's UVLO turns on. In this condition, the output should turn off in which case the square wave disappears.
2. Next, adjust the supply back to 5 V.
3. Now, turn this frequency control dial on the signal generator from tens of Hz up to 15 MHz and observe the scope output.

3.6. Enable Test (DIP8 and SOIC8 Only)

The next test demonstrates the ENABLE function of the Si8718. To perform this test:

1. Remove the shunt on J4.
2. Connect a clip-to-clip wire from P2, Pin2 (VE/VL) to P2, Pin4 (GND2).
3. The output should be pulled to Hi-z and the square wave turned off.
4. To resume normal operation, remove the clip-to-clip wire on P2, and reinstall the shunt on J4 (position 1-2).

4. Hardware Overview and Setup

The power and jumper connections descriptions are summarized here:

- P1 External input signal connections to drive the LED Emulator.
- P2 External output signal connections.
- J1 Jumper when installed used to accommodate common-anode drive.
- J2 Jumper when installed used to accommodate common-cathode drive.
- J3, J5 Jumper used to connect external pull-up resistor R4 (Si87xx open-collector output only).
- J4 Jumper used to tie the enable pin to VDD and activate the output default state (Hi-z, logic-low, or logic-high).

4.1. Voltage and Current Sense Test Points

The Si871x evaluation board has several test points. These test points correspond to the respective pins on the Si871x integrated circuits as well as other useful inspection points. See Figures 6 through 8 for a silkscreen overview. See schematics in Figures 9 through 11 for more details.

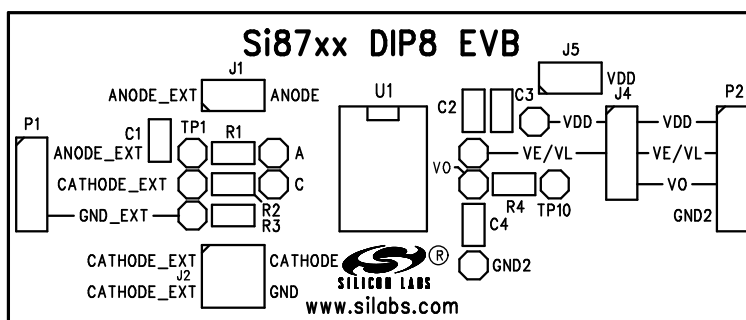


Figure 6. Si87xx DIP8 Evaluation Board Silkscreen

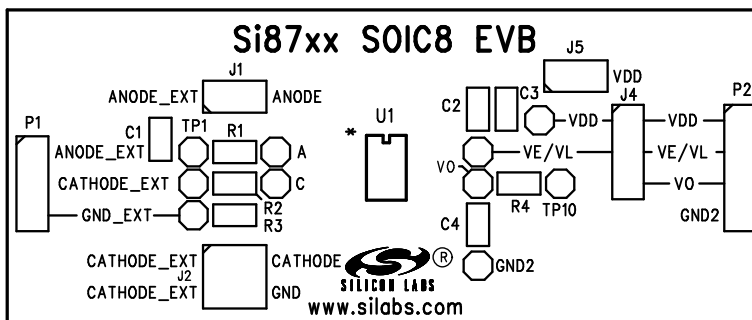


Figure 7. Si87xx SOIC8 Evaluation Board Silkscreen

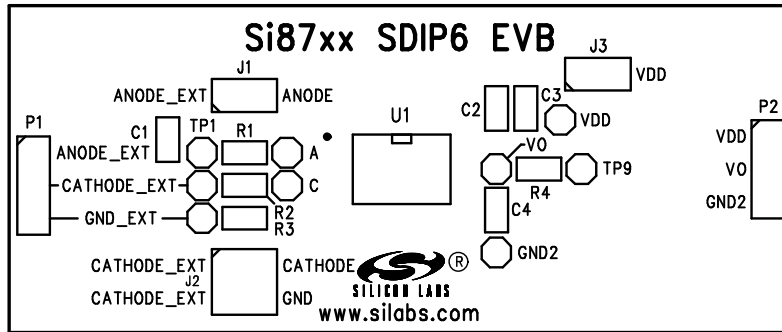


Figure 8. Si87xx SDIP6 Evaluation Board Silkscreen

5. Si871x Evaluation Board Schematics

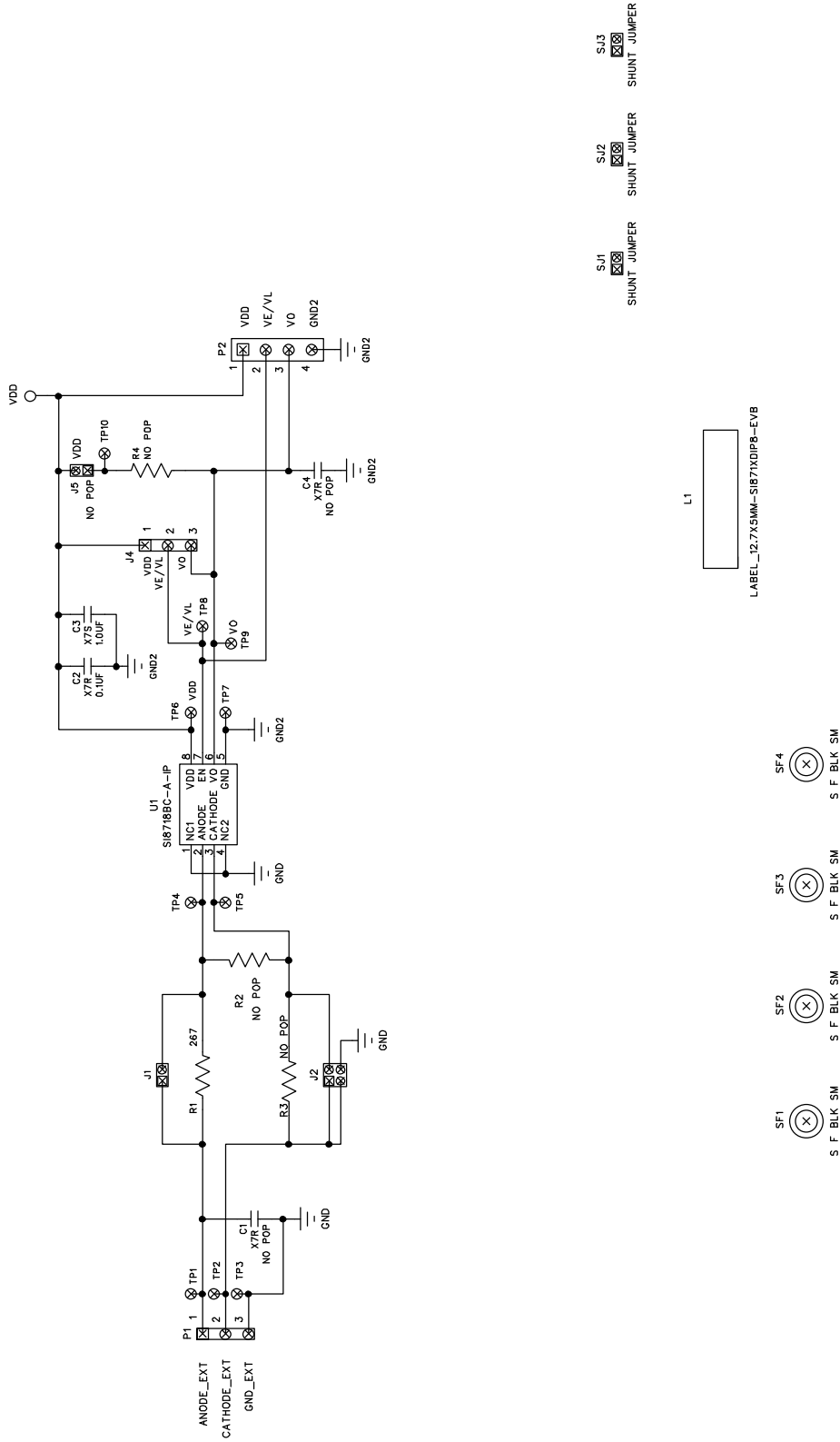


Figure 9. Si871x DIP8 Evaluation Board Schematic

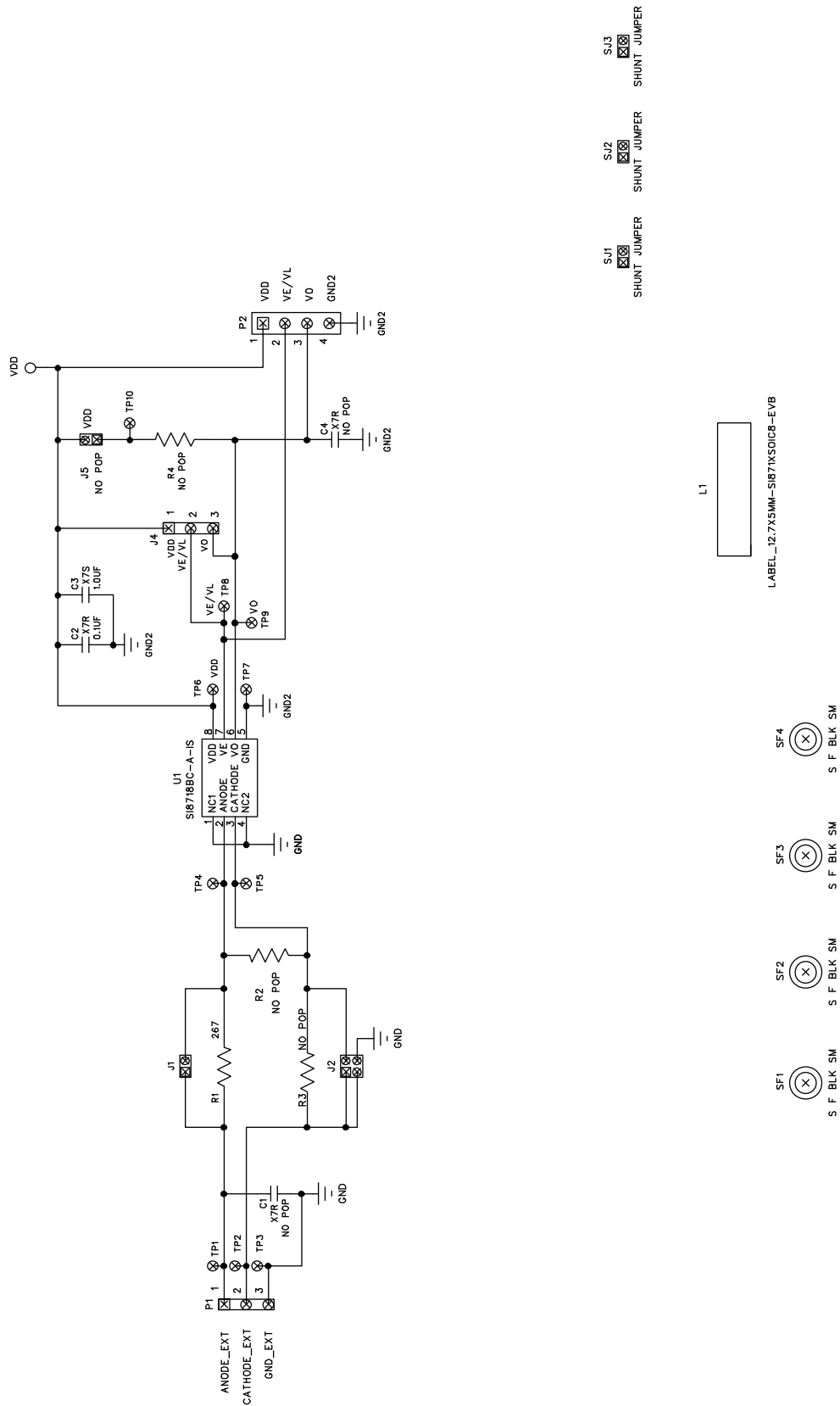
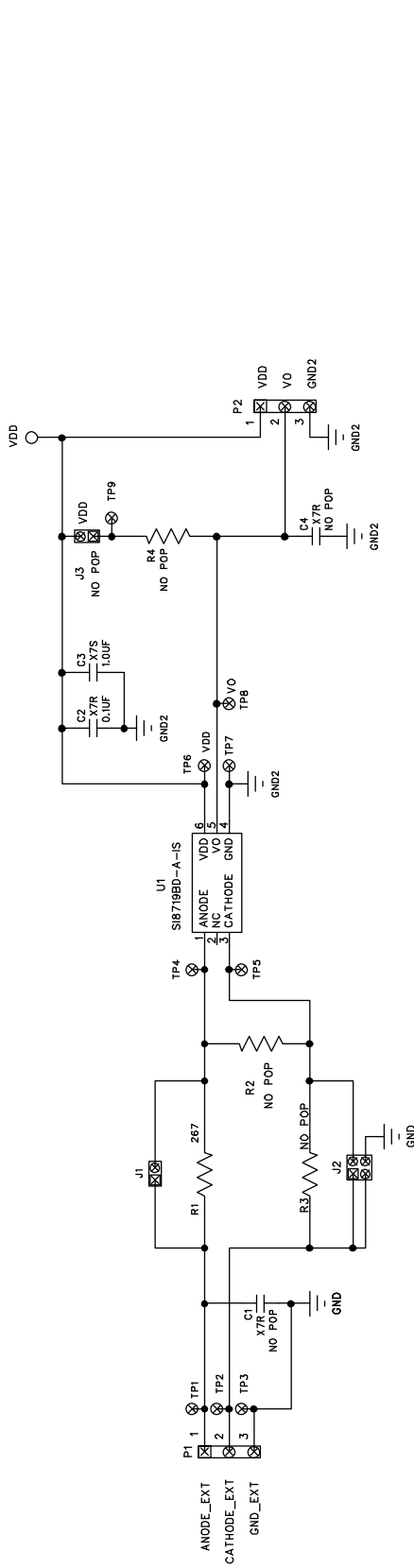


Figure 10. Si871x SOIC8 Evaluation Board Schematic



SJ1 SHUNT JUMPER
 SJ2 SHUNT JUMPER
 SJ3 SHUNT JUMPER

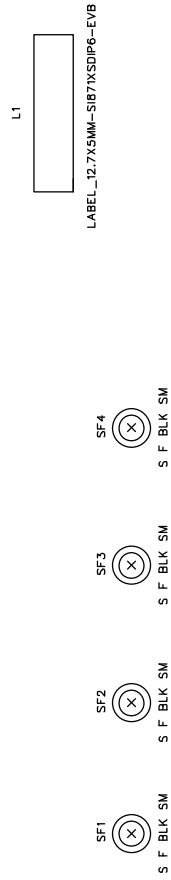


Figure 11. Si871x SDIP6 Evaluation Board Schematic

Si871x-EVB

6. Bill of Materials

Table 1. Si871x DIP8 Evaluation Board Bill of Materials

| Item | Qty | Ref | Part # | Supplier | Description | Value |
|------|-----|--------|----------------|--------------|---|----------------|
| 1 | 1 | C2 | 311-1140-2-ND | Digikey | Cap, 0.1 μ F, X7R, Ceramic, 50 V, 0805, \pm 10%, or equivalent RoHS | 0.1 μ F |
| 2 | 1 | C3 | 445-5205-1-ND | Digikey | Cap, 1.0 μ F, X7S, Ceramic, 805, 100 V, \pm 10%, RoHS | 1.0 μ F |
| 3 | 2 | C1, C4 | CAP 0805 | Digikey | Cap, No Pop, 0805, or equivalent, RoHS | No Pop |
| 4 | 1 | J1 | S1011E-02-ND | Digikey | Stake Header, 1x2, 0.1"CTR, Gold, or equivalent, RoHS | 1x2 Header |
| 5 | 1 | J5 | No Pop | Digikey | Stake Header, 1x2, 0.1"CTR, Gold, or eq, RoHS | No Pop |
| 6 | 2 | J4, P1 | S1011E-03-ND | Digikey | Stake Header, 1x3, 0.1"ctr, or equivalent, RoHS | HDR1x3 |
| 7 | 1 | P2 | S1011E-04-ND | Digikey | Stake Header, 1x4, 0.1"ctrs, or equivalent, RoHS | HDR1x4 |
| 8 | 1 | J2 | S2011E-02-ND | Digikey | Stake Header, 2X2, 0.1"ctr, Gold, or equivalent, RoHS | 2x2 Header |
| 9 | 1 | L1 | M71-5-423 | Brady | Label, Permanent Polyester, Thermal Transfer Print, Brady Material B423 or equivalent 12.70 x 5.08mm, Text 'SI871xDIP8-EVB' | SI871xDIP8-EVB |
| 10 | 1 | R1 | 311-267CRCT-ND | Digikey | Res, 267 Ω , SMT, 0805, 1/8 W, \pm 1%, or equivalent, RoHS | 267 |
| 11 | 3 | R2-4 | No Pop | Digikey | Res, No Pop, SMT, 0805, or equivalent, RoHS | No Pop |
| 12 | 3 | SJ1-3 | S9001-ND | Digikey | Conn, Jumper Shorting, Tin, or equivalent, RoHS. (insert after test) | Shunt Jumper |
| 13 | 1 | U1 | SI8718BC-A-IP | Silicon Labs | Isolator, 3.75 kV Emulator Input, DIP8-GW, RoHS | SI8718BC-A-IP |
| 14 | 4 | SF1-4 | SJ5744-0-ND | Digikey | Bumpon Protective, Bumper, Silicone, or equivalent, RoHS | S F BLK SM |
| 15 | 10 | TP1-10 | 5002K-ND | Digikey | Test Point, PC Compact, 0.63"D White, or equivalent, RoHS | 5002 |

Table 2. Si871x SOIC8 Evaluation Board Bill of Materials

| Item | Qty | Ref | Part # | Supplier | Description | Value |
|------|-----|--------|----------------|--------------|--|-----------------|
| 1 | 1 | C2 | 311-1140-2-ND | Digikey | Cap, 0.1 μ F, X7R, Ceramic, 50 V, 0805, \pm 10%, or equivalent, RoHS | 0.1 μ F |
| 2 | 1 | C3 | 445-5205-1-ND | Digikey | Cap, 1.0 μ F, X7S, Ceramic, 805, 100 V, \pm 10%, RoHS | 1.0 μ F |
| 3 | 2 | C1, C4 | CAP 0805 | Digikey | Cap, No Pop, 0805, or equivalent, RoHS | No Pop |
| 4 | 1 | J1 | S1011E-02-ND | Digikey | Stake Header, 1x2, 0.1" Ctr, Gold, or equivalent, RoHS | 1x2 Header |
| 5 | 2 | J4, P1 | S1011E-03-ND | Digikey | Stake Header, 1x3, 0.1" Ctr, or equivalent, RoHS | HDR1x3 |
| 6 | 1 | P2 | S1011E-04-ND | Digikey | Stake Header, 1x4, 0.1" Ctrs, or equivalent, RoHS | HDR1x4 |
| 7 | 1 | J5 | No Pop | Digikey | Stake Header, 1x2, 0.1" Ctr, Gold, or equivalent, RoHS | No Pop |
| 8 | 1 | J2 | S2011E-02-ND | Digikey | Stake Header, 2x2, 0.1" Ctr, Gold, or equivalent, RoHS | 2x2 Header |
| 9 | 1 | L1 | M71-5-423 | Brady | Label, Permanent Polyester, Thermal Transfer Print, Brady Material B423 or equivalent 12.70 x 5.08mm, Text 'SI871xSOIC8-EVB' | SI871xSOIC8-EVB |
| 10 | 1 | R1 | 311-267CRCT-ND | Digikey | Res, 267 Ω , SMT, 0805, 1/8 W, \pm 1%, or equivalent, RoHS | 267 |
| 11 | 3 | R2-4 | No Pop | Digikey | Res, No Pop, SMT, 0805, or equivalent, RoHS | No Pop |
| 12 | 3 | SJ1-3 | S9001-ND | Digikey | Conn, Jumper Shorting, Tin, or equivalent, RoHS. (insert after test) | Shunt Jumper |
| 13 | 1 | U1 | SI8718BC-A-IS | Silicon Labs | 3.75 kV LED Emulator Input, Isolator, SOIC-8, RoHS | SI8718BC-A-IS |
| 14 | 4 | SF1-4 | SJ5744-0-ND | Digikey | Bumpon Protective, Bumper, Silicone, or equivalent, RoHS | S F BLK SM |
| 15 | 10 | TP1-10 | 5002K-ND | Digikey | Test Point, PC Compact, 0.63"D white, or equivalent, RoHS | 5002 |

Si871x-EVB

Table 3. Si871x SDIP6 Evaluation Board Bill of Materials

| Item | Qty | Ref | Part # | Supplier | Description | Value |
|------|-----|--------|----------------|--------------|--|-----------------|
| 1 | 1 | C2 | 311-1140-2-ND | Digikey | Cap, 0.1 μ F, X7R, Ceramic, 50 V, 0805, \pm 10%, or equivalent, RoHS | 0.1 μ F |
| 2 | 1 | C3 | 445-5205-1-ND | Digikey | Cap, 1.0 μ F, X7S, Ceramic, 805, 100 V, \pm 10%, RoHS | 1.0 μ F |
| 3 | 2 | C1, C4 | CAP 0805 | Digikey | Cap, No Pop, 0805, or equivalent, RoHS | No Pop |
| 4 | 1 | J1 | S1011E-02-ND | Digikey | Stake Header, 1x2, 0.1" Ctr, Gold, or equivalent, RoHS | 1x2 Header |
| 5 | 2 | P1-2 | S1011E-03-ND | Digikey | Stake Header, 1X3, 0.1" CTR, OR EQ, RoHS | HDR1X3 |
| 6 | 1 | J3 | No Pop | Digikey | Stake Header, 1x2, 0.1" Ctr, Gold, or equivalent, RoHS | No Pop |
| 7 | 1 | J2 | S2011E-02-ND | Digikey | Stake Header, 2x2, 0.1" Ctr, Gold, or equivalent, RoHS | 2x2 Header |
| 8 | 1 | L1 | M71-5-423 | Brady | Label, Permanent Polyester, Thermal Transfer Print, Brady Material B423 or equivalent 12.70 x 5.08mm, Text 'SI871xSDIP6-EVB' | SI871xSDIP6-EVB |
| 9 | 1 | R1 | 311-267CRCT-ND | Digikey | Res, 267 Ω , SMT, 0805, 1/8 W, \pm 1%, or equivalent, RoHS | 267 |
| 10 | 3 | R2-4 | No Pop | Digikey | Res, No Pop, SMT, 0805, or equivalent, RoHS | No Pop |
| 11 | 3 | SJ1-3 | S9001-ND | Digikey | Conn, Jumper Shorting, Tin, or equivalent, RoHS. (insert after test) | Shunt Jumper |
| 12 | 1 | U1 | SI8719BD-A-IS | Silicon Labs | Isolator, 5 kV emulator Input, SDIP6, RoHS | SI8719BD-A-IS |
| 13 | 4 | SF1-4 | SJ5744-0-ND | Digikey | Bumpon Protective, Bumper, Silicone, or equivalent, RoHS | S F BLK SM |
| 14 | 9 | TP1-9 | 5002K-ND | Digikey | Test Point, PC Compact, 0.63"D White, or equivalent, RoHS | 5002 |

7. Ordering Guide

Table 4. Si871x Evaluation Board Ordering Guide

| Ordering Part Number (OPN) | Description |
|-----------------------------------|--|
| Si871xDIP8-KIT | Si871x Isolator Evaluation Board Kit featuring DIP8 Package |
| Si871xSOIC8-KIT | Si871x Isolator Evaluation Board Kit featuring SOIC8 Package |
| Si871xSDIP6-KIT | Si871x Isolator Evaluation Board Kit featuring SDIP6 Package |



Smart.
Connected.
Energy-Friendly



Products
www.silabs.com/products



Quality
www.silabs.com/quality



Support and Community
community.silabs.com

Disclaimer

Silicon Laboratories intends to provide customers with the latest, accurate, and in-depth documentation of all peripherals and modules available for system and software implementers using or intending to use the Silicon Laboratories products. Characterization data, available modules and peripherals, memory sizes and memory addresses refer to each specific device, and "Typical" parameters provided can and do vary in different applications. Application examples described herein are for illustrative purposes only. Silicon Laboratories reserves the right to make changes without further notice and limitation to product information, specifications, and descriptions herein, and does not give warranties as to the accuracy or completeness of the included information. Silicon Laboratories shall have no liability for the consequences of use of the information supplied herein. This document does not imply or express copyright licenses granted hereunder to design or fabricate any integrated circuits. The products must not be used within any Life Support System without the specific written consent of Silicon Laboratories. A "Life Support System" is any product or system intended to support or sustain life and/or health, which, if it fails, can be reasonably expected to result in significant personal injury or death. Silicon Laboratories products are generally not intended for military applications. Silicon Laboratories products shall under no circumstances be used in weapons of mass destruction including (but not limited to) nuclear, biological or chemical weapons, or missiles capable of delivering such weapons.

Trademark Information

Silicon Laboratories Inc., Silicon Laboratories, Silicon Labs, SiLabs and the Silicon Labs logo, CMEMS®, EFM, EFM32, EFR, Energy Micro, Energy Micro logo and combinations thereof, "the world's most energy friendly microcontrollers", Ember®, EZLink®, EZMac®, EZRadio®, EZRadioPRO®, DSPLL®, ISOmodem®, Precision32®, ProSLIC®, SiPHY®, USBXpress® and others are trademarks or registered trademarks of Silicon Laboratories Inc. ARM, CORTEX, Cortex-M3 and THUMB are trademarks or registered trademarks of ARM Holdings. Keil is a registered trademark of ARM Limited. All other products or brand names mentioned herein are trademarks of their respective holders.



Silicon Laboratories Inc.
400 West Cesar Chavez
Austin, TX 78701
USA

<http://www.silabs.com>