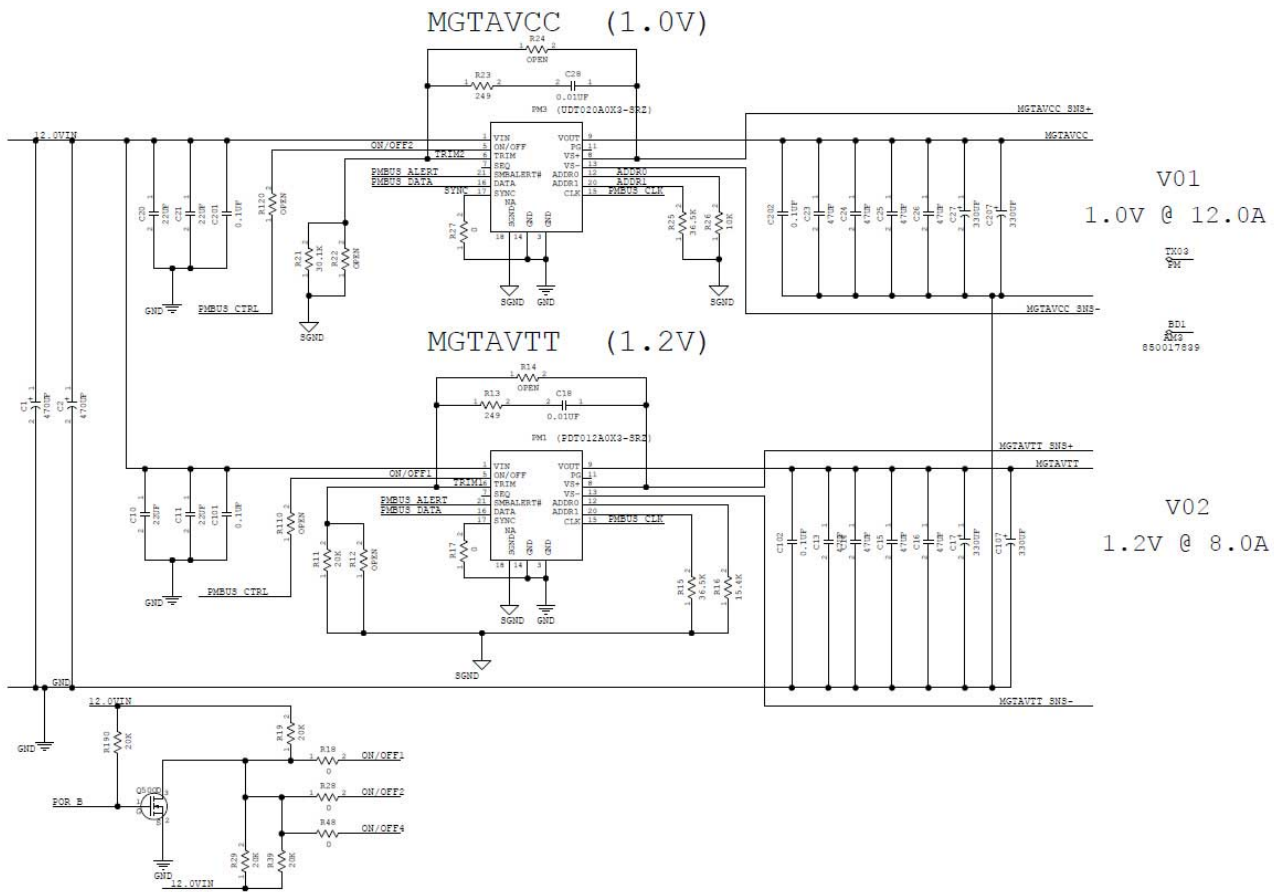


Xilinx Virtex7 MGT XCVR Power Module

Description: Designed to support the next generation Xilinx 7-Series FPGAs, the 'EVAL_XILINX_PDT012A0X3-SRZ' is a multi-output power supply module that provides all the necessary voltage rails for Virtex-7 Series GTX and GTH transceivers when mated to Xilinx multi-gigabit transceiver (MGT) characterization boards.

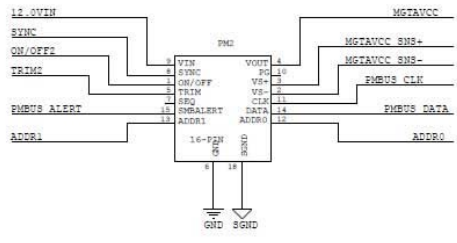
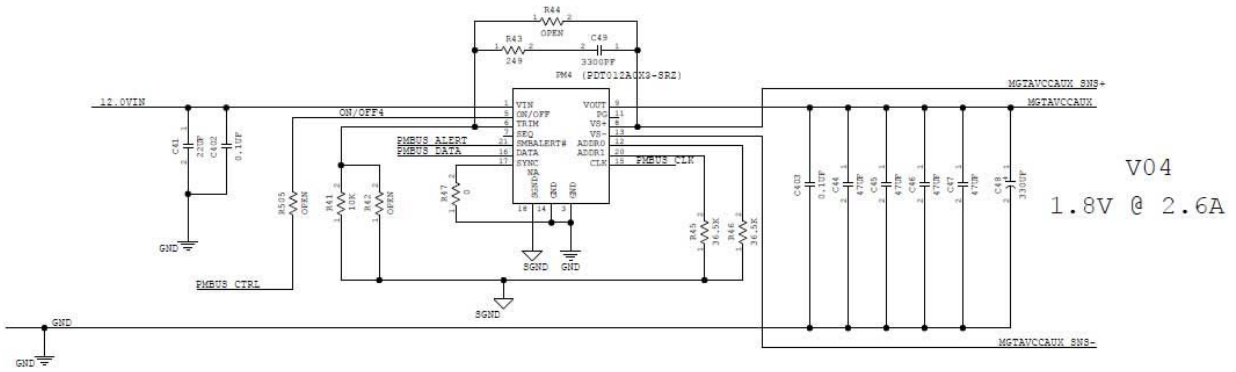
This power module incorporates GE Energy's latest generation of the Digital Dlynx™ family of non-isolated Point of Load (POL) DC-DC power converters. The power supply module provides an industry-standard PMBus™ digital interface as an option that supports a wide range of commands to both control and monitor the POLs residing within the power module assembly. The GE Energy's Digital Power Insight™ GUI can be employed to provide the communication link to configure, control and monitor the internal POLs.

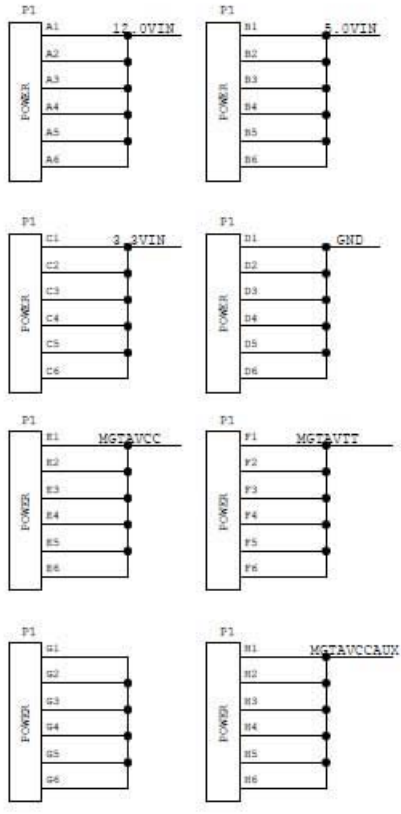
Part Name: EVAL_XILINX_PDT012A0X3-SRZ





MGTAVCCAUX (1.8V)





		J2	
ALT FMBUS ADDR	1	80	BYPASS
N/C	2	79	INSTALLED
N/C	3	78	ICC AI
N/C	4	77	FOR B
N/C	5	76	ICC AU
N/C	6	75	GND
N/C	7	74	GND
N/C	8	73	FMBUS ALERT
GND	9	72	GND
GND	10	71	FMBUS CTRL
GND	11	70	ICC SW
GND	12	69	FMBUS DATA
MGTAVCC CS+	13	68	ICC SW
MGTAVCC SNS+	14	67	FMBUS CLK
GND	15	66	GND
GND	16	65	GND
MGTAVCC CS-	17	64	GND
MGTAVCC SNS-	18	63	GND
GND	19	62	SPI CS
GND	20	61	IL0
MGTAVTT CS+	21	60	SPI D
MGTAVTT SNS+	22	59	TDI
GND	23	58	SPI W
GND	24	57	TRST
MGTAVTT CS-	25	56	SPI SCLK
MGTAVTT SNS-	26	55	TRF
GND	27	54	GND
GND	28	53	GND
N/C	29	52	GND
N/C	30	51	GND
GND	31	50	N/C
GND	32	49	N/C
N/C	33	48	N/C
N/C	34	47	N/C
GND	35	46	GND
GND	36	45	GND
MGTAVCCAUX CS+	37	44	GND
MGTAVCCAUX SNS+	38	43	GND
GND	39	42	MGTAVCCAUX SNS-
GND	40	41	MGTAVCCAUX CS-

