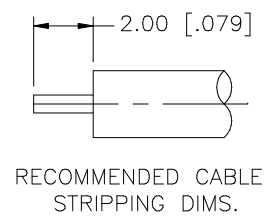
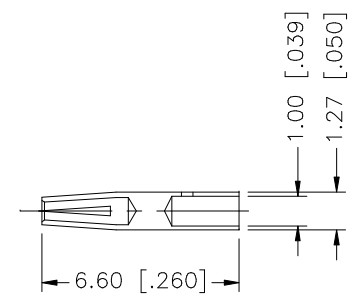
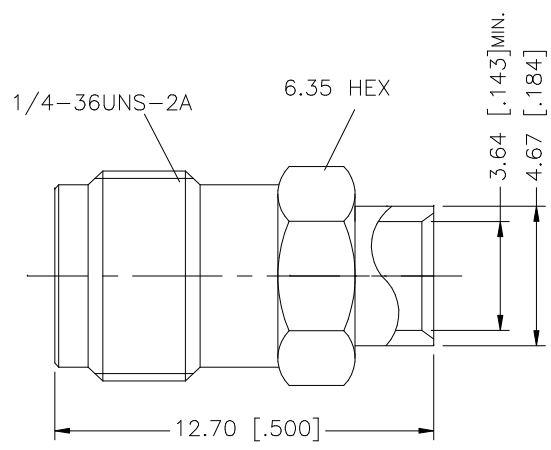


REV.	DATE	DESCRIPTION
NC	04/31/03	INITIAL RELEASE
A	10/27/05	MODIFY - INSULATOR NOW INTERNAL



8					<small>UNLESS OTHERWISE SPECIFIED DIMENSIONS ARE IN MILLIMETERS. DIMENSIONS IN [] ARE IN INCHES AND FOR CUSTOMER REFERENCE ONLY.</small> <small>UNLESS OTHERWISE SPECIFIED TOLERANCES FOR MILLIMETERS ARE: 0.5 - 8mm ± 0.20mm 8 - 30mm ± 0.40mm 30 - 120mm ± 0.50mm</small> <small>UNLESS OTHERWISE SPECIFIED TOLERANCES FOR INCHES ARE: .020 - .315 = ± 0.007" .315 - 1.180 = ± 0.015" 1.180 - 4.724 = ± 0.020"</small>	APPROVALS	DATE	<h1 style="color: blue;">Amphenol Connex</h1>							
7						DRAWN	G.R.S.					10/27/05			
6						CHECKED			PART DESCRIPTION SMA DIRECT SOLDER JACK (FOR .141" SEMI-RIGID CABLE)						
5						ISSUED									
4						SHEET	1 OF 1		PART NO. 132104						
3	CONTACT PIN	BER. COPPER	GOLD	1	CAD FILE	C:/132/132104.DWG		DWG. NO.					132104.DWG	REV.	A
2	INSULATOR	TEFLON	NATURAL	1											
1	BODY	BRASS	GOLD	1											
	DESCRIPTION	MATERIAL	FINISH	QTY	DO NOT SCALE DRAWING										