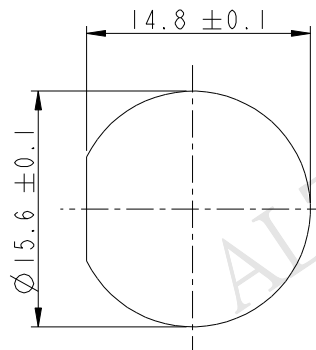


REV.	ECN NO.	DATE	SIGN	DESCRIPTION



Recommended Panel Cut-Out

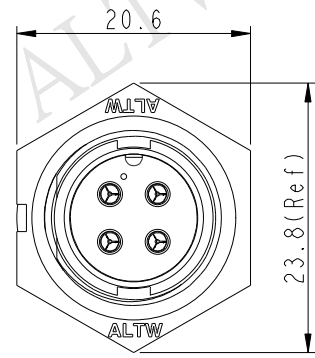
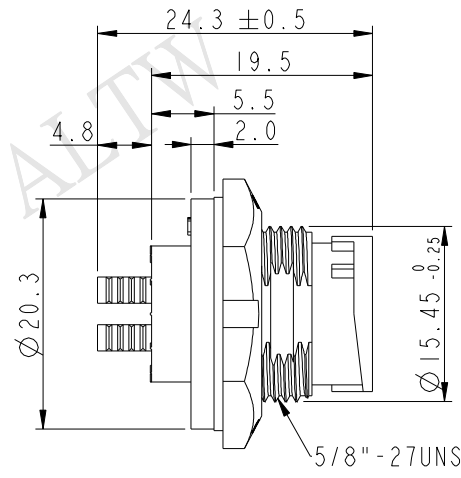
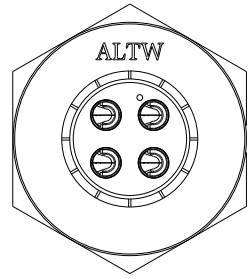
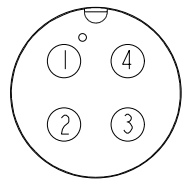
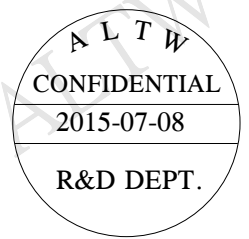
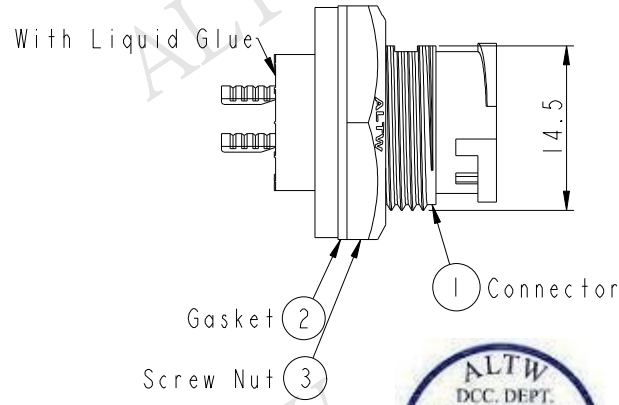
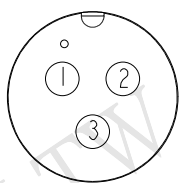


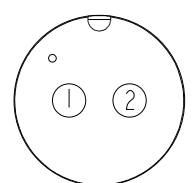
ABB-XXPMMS-LC7001
 02: 2Pin
 :
 04: 4Pin



4 Pin



3 Pin



2 Pin

Pin Assignments Front View

Note:
 * (QC) Important Dimension To Check.
 * Waterproof Rate: IP67
 * Housing: Nylon+GF, Black
 * Male Pin: Copper Alloy, Gold Plated.
 * Screw Nut: Nylon+GF, Black
 * Gasket: Silicone, Gray
 * Use with waterproof cap or dust cap
 Maximum Panel Thickness: 2.8mm
 * Use without waterproof cap or dust cap
 Maximum Panel Thickness: 4.0mm

UNIT: mm		TITLE STANDARD PANEL LOCK M CONN MPIN		
TOLERANCE .X ±0.25 .XX ±0.1 .XXX ±0.05 ANGLES ±1°	SCALE 3:2	SIZE A4	SHEET 1	OF 1
REV. A	WC-REV. A.1	QC: Inspection item		

Amphenol LTW
 安費諾亮泰企業股份有限公司

ITEM NO.	DRAWN BY Jinhai	DATE 2015-07-08
DWG NO. ABB-XXPMMS-LC7001	CHECKED BY Rensong	DATE 2015-07-08
CUSTOMER ALTW	APPROVED BY Jerry	DATE 2015-07-08

THIS DOCUMENT IS SUBJECT TO CHANGE WITHOUT NOTICE. IT IS CONFIDENTIAL AND A PROPERTY OF Amphenol LTW. DISCLOSURE TO THIRD PARTY HAS TO BE AUTHORIZED BY Amphenol LTW.