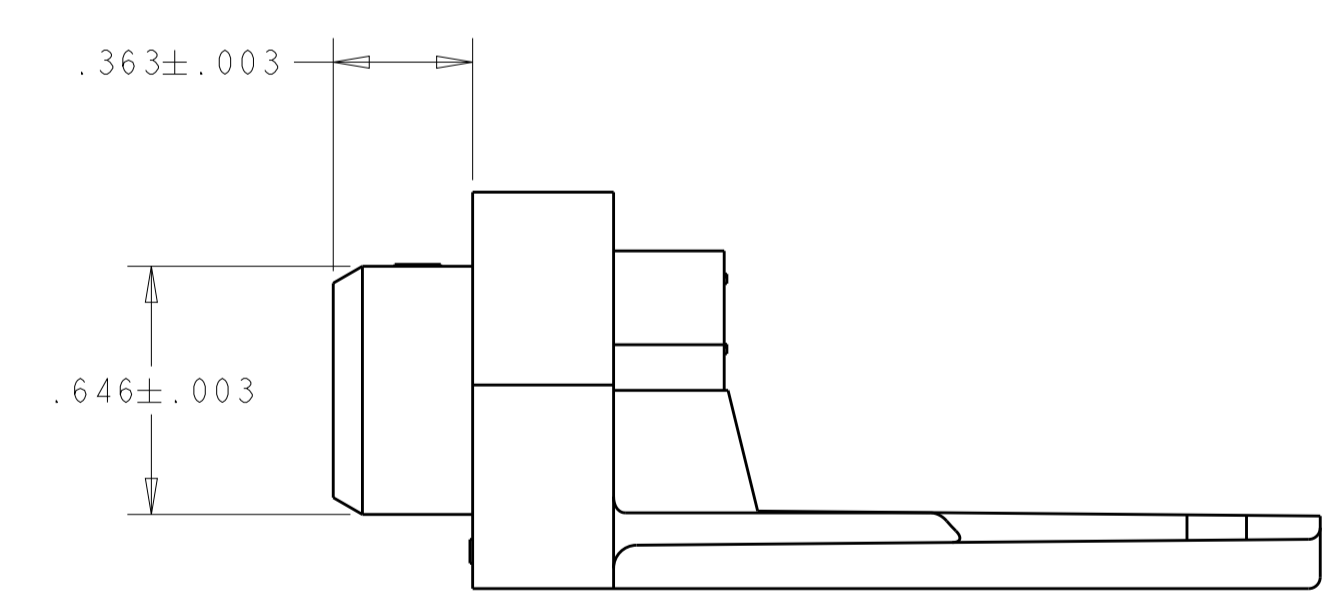
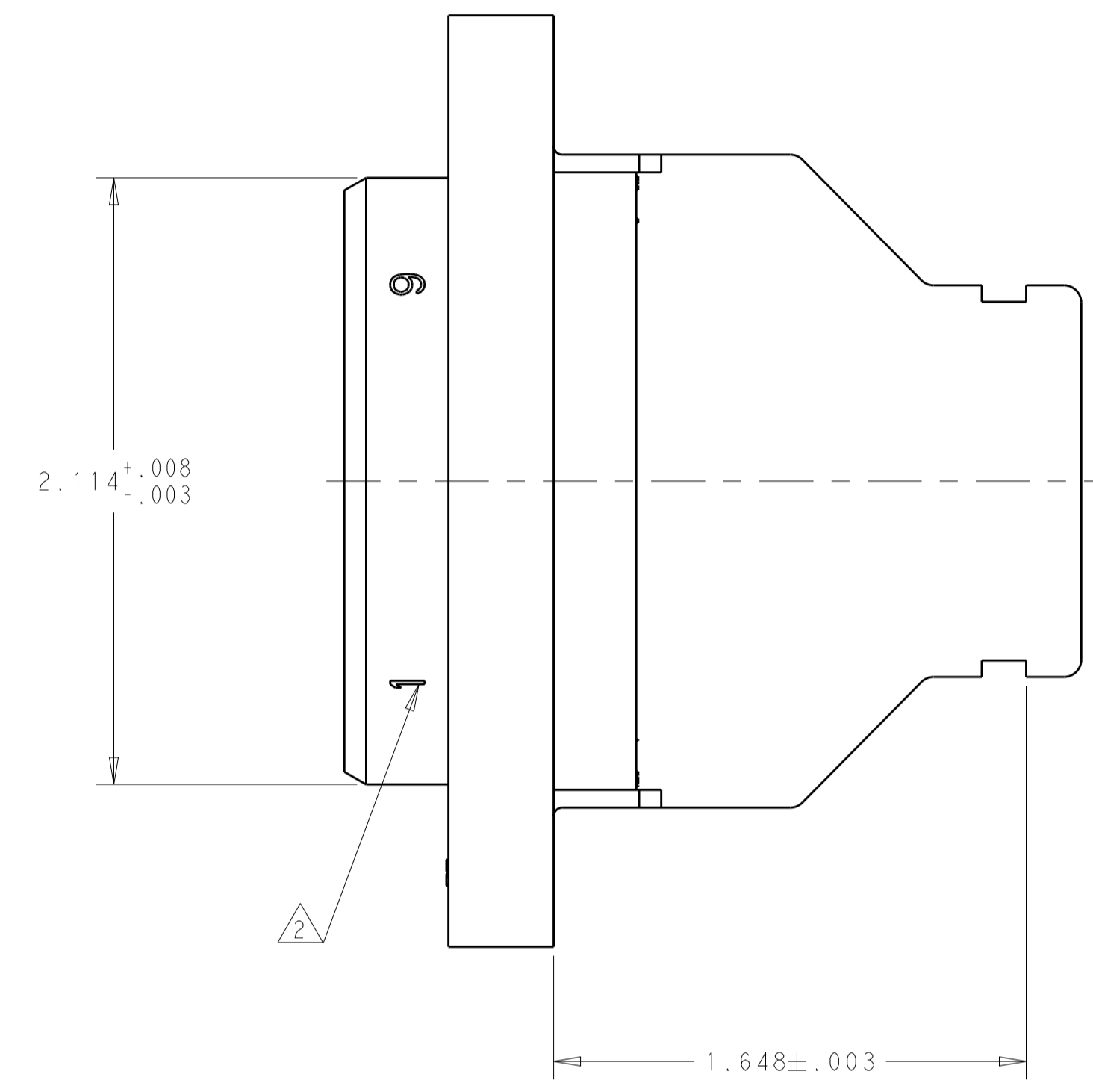
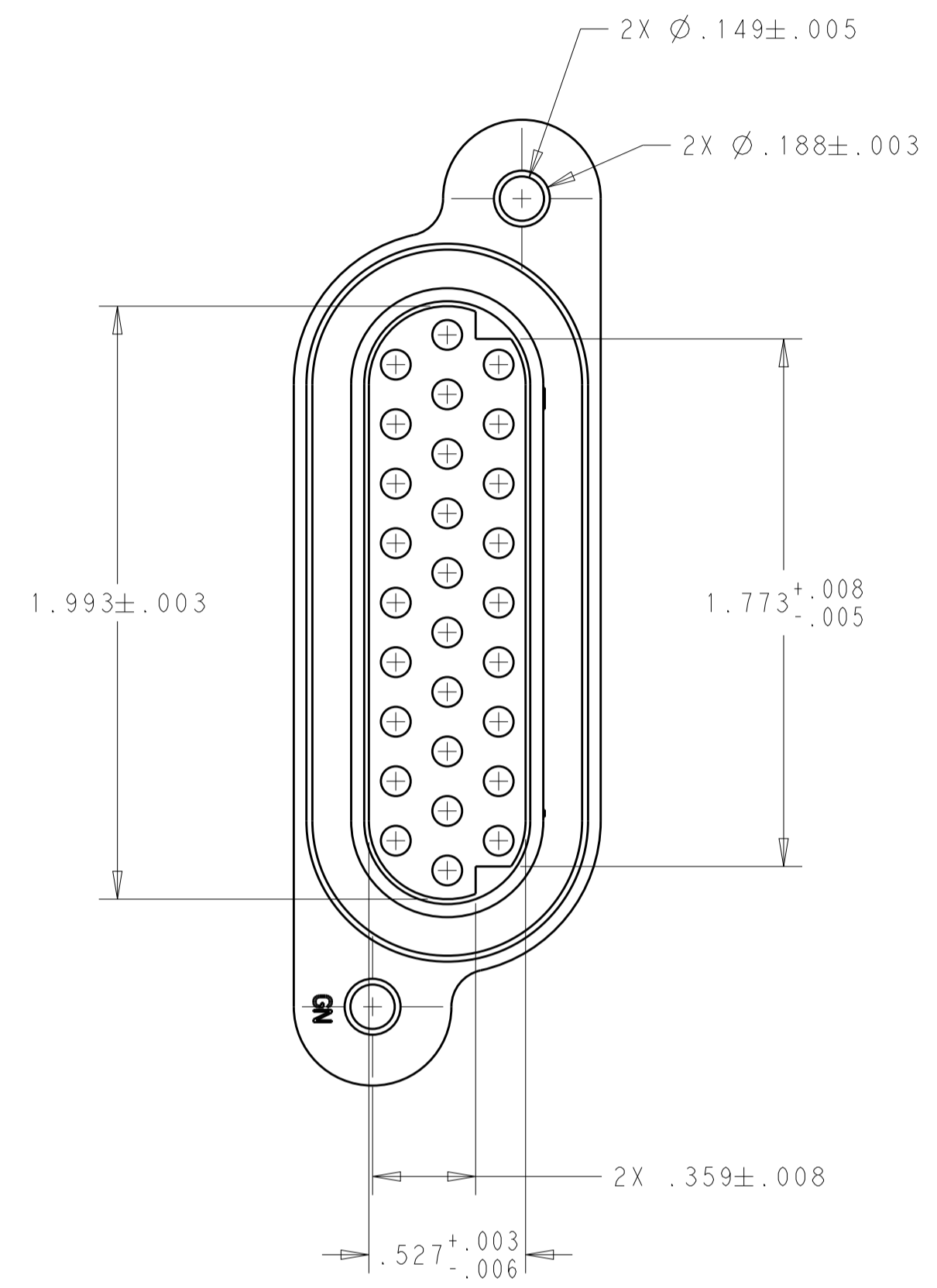
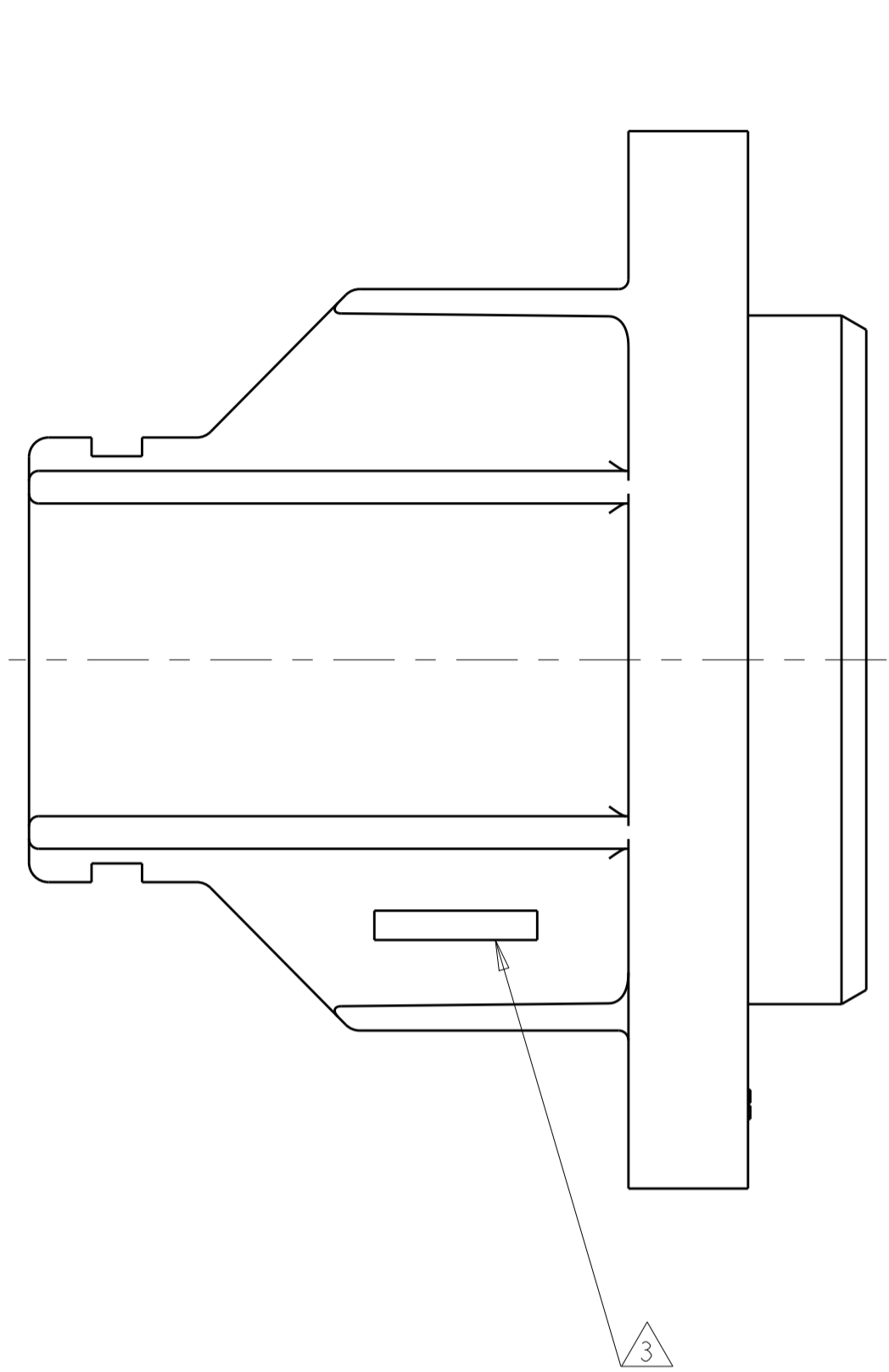


LOC		DIST		REVISIONS			
CM	00	P	LTN	DESCRIPTION	DATE	DWN	APVD
		A		REV PER ECO-12-015596	11OCT2012	RGV	DCS

1. CUMMINS ENGINES MUST BE INFORMED BY WAY OF A PRODUCT CHANGE IDENTIFICATION OF ALL TO THE TE CUSTOMER DRAWINGS.
2. BRAND CIRCUIT IDENTIFICATION NUMBERS 1 & 9 AS SHOWN (-2 ONLY).
3. 4-DIGIT CODE TO BE BRANDED ON THIS SURFACE PER 102-60 (FIRST 2 DIGITS = YEAR, SECOND 2 DIGITS = WEEK). CHARACTERS TO BE .090 HIGH AND READILY LEGIBLE (-2 ONLY).



△ 2	212983-2
-	212983-1
STAMPING	PART NUMBER

THIS DRAWING IS A CONTROLLED DOCUMENT.		DWN R. VESTAL 08AUG2012	NAME PLUG HOUSING, 28 POSITION, ECMSC
DIMENSIONS: INCHES		CHK D. STRAUSSER 08AUG2012	
TOLERANCES UNLESS OTHERWISE SPECIFIED:		APVD D. STRAUSSER 08AUG2012	RESTRICTED TO
0 PLC ±	1 PLC ±	PRODUCT SPEC	SIZE CAGE CODE DRAWING NO
2 PLC ±	3 PLC ±.005	APPLICATION SPEC	A100779C=212983
4 PLC ±	ANGLES 40°/30°	WEIGHT	SCALE 2:1 SHEET 1 OF 1 REV A
MATERIAL THERMOPLASTIC BLACK	FINISH	CUSTOMER DRAWING	