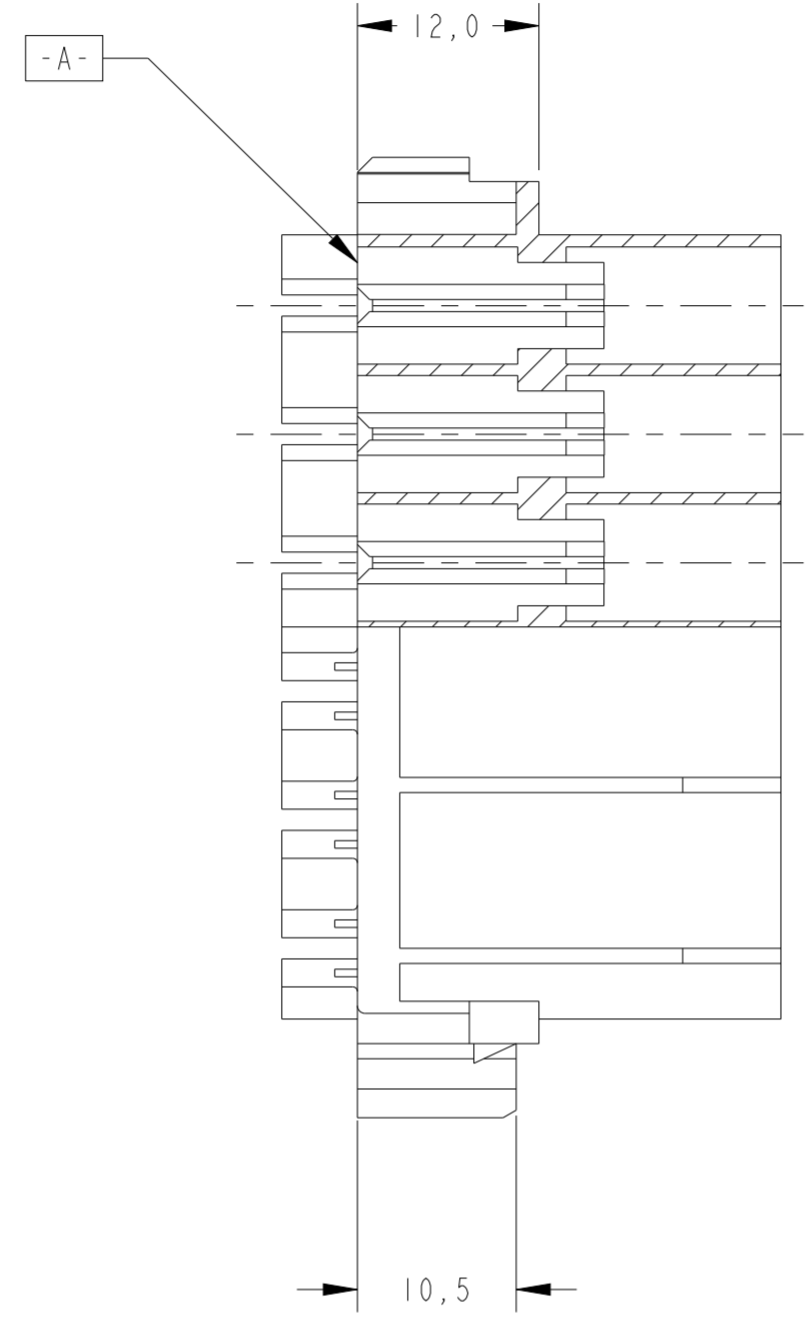
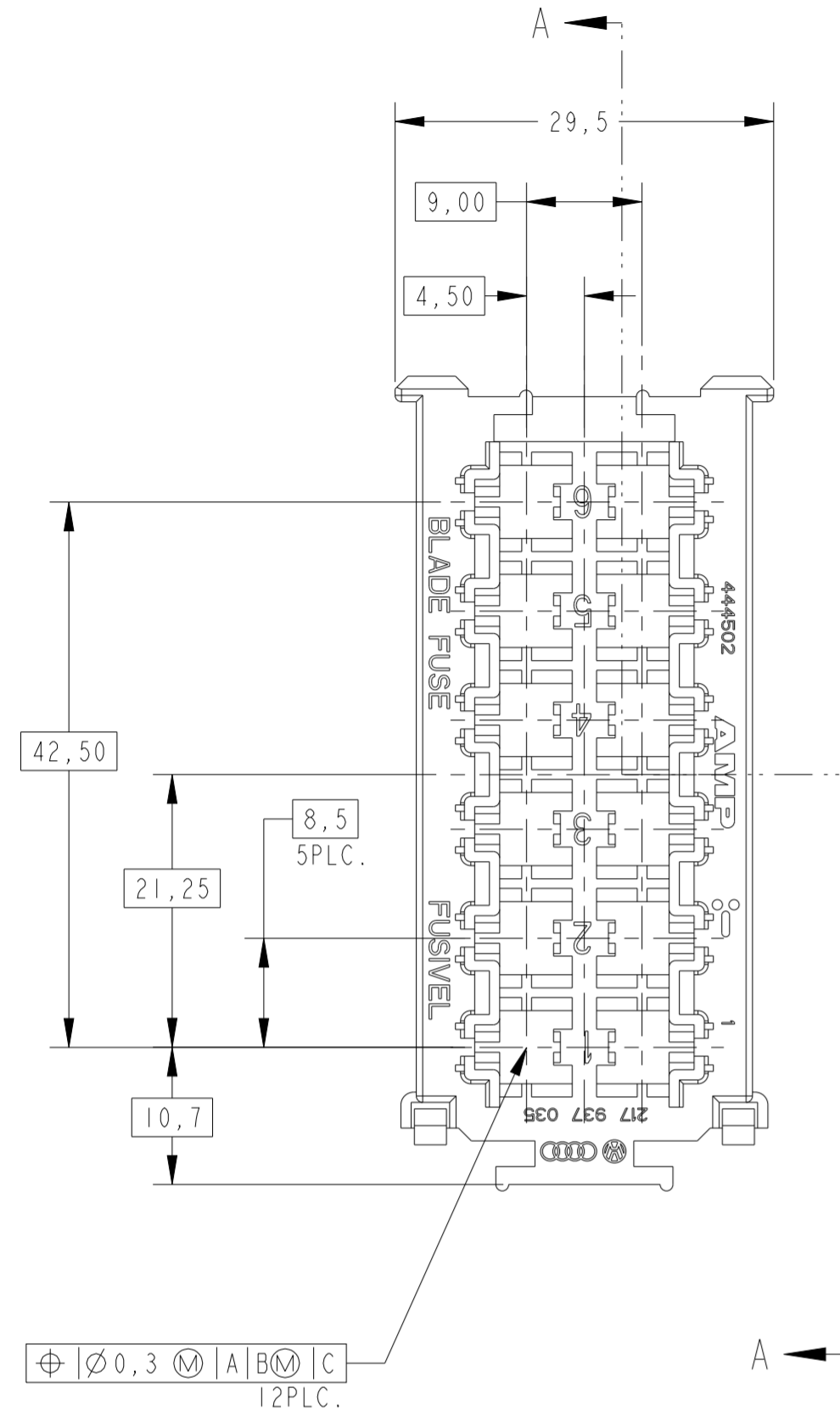
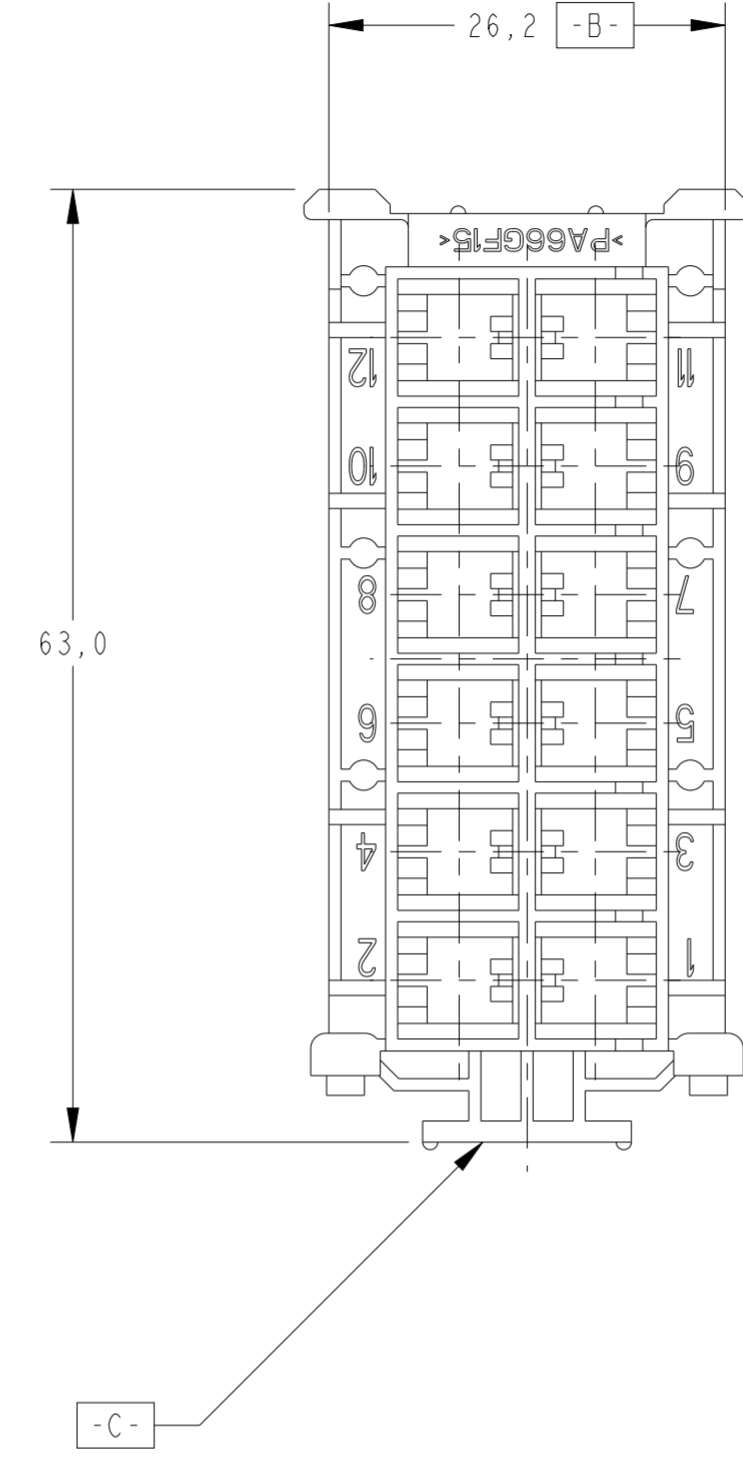


THIS DRAWING IS UNPUBLISHED. RELEASED FOR PUBLICATION 20  
 © COPYRIGHT 20 BY - ALL RIGHTS RESERVED.

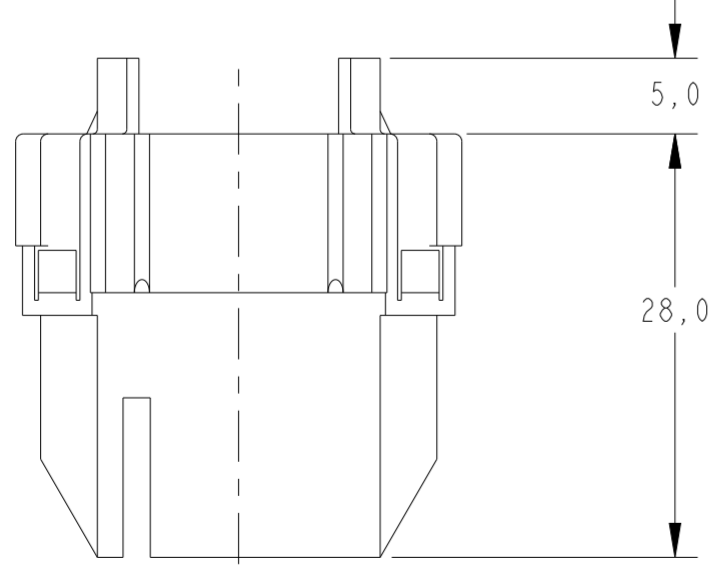
LOC		DIST		REVISIONS			
P	LTR	DESCRIPTION	DATE	DWN	APVD		
	D	REVISED DESIGN ECO-13-004522	01APR2013	NCL	BR		
	DI	REVISED PER ECN-22-144268	13JUN2022	AP	MT		



SECTION A-A



- 1 -GRAVACOES:  
 -MARCA REGISTRADA AMP  
 -MARCA REGISTRADA VOLKSWAGEN.  
 -CODIGO DO PAIS PRODUTOR.  
 -NUMERO DA PEÇA TE.  
 -NOMENCLATURA DO MATERIAL.  
 -NÚMERO DA PEÇA VOLKSWAGEN.
- 2 -CAVIDADES PARA TERMINAL "FUSE CONTACT":  
 880397; 880398; 880399 E "FUSE CONTACT  
 BUS-BAR" 880490 E 880492.
- 3 -CONECTOR PARA FUSIVEL TE 688670  
 CONFORME SAE-J1284.



FINISH	MATERIAL	PART NUMBER
CINZA / GRAY	PA 6.6+15% G.F.	444502 - 3-
AZUL / BLUE	PA 6.6+15% G.F.	444502 - 2
PRETO / BLACK	PA 6.6+15% G.F.	444502 - 1



THIS DRAWING IS A CONTROLLED DOCUMENT.		DWN M.R.Briz 13-Jun-22
DIMENSIONS: mm		CHK J.R.Goldschmidt 29-Aug-95
TOLERANCES UNLESS OTHERWISE SPECIFIED:		APVD A.Vicenza 28-Aug-95
0 PLC ±	1 PLC ±0.3	PRODUCT SPEC -
2 PLC ±	3 PLC ±	APPLICATION SPEC -
4 PLC ±	ANGLES ±°	WEIGHT -
FINISH	SEE TABLE	Customer Drawing

DWN M.R.Briz 13-Jun-22		APVD A.Vicenza 28-Aug-95		NAME -	
CHK J.R.Goldschmidt 29-Aug-95		PRODUCT SPEC -		APPLICATION SPEC -	
APVD A.Vicenza 28-Aug-95		WEIGHT -		RESTRICTED TO -	
SIZE A2	CAGE CODE 00779	DRAWING NO. C-444502	SCALE 2:1		
Customer Drawing		SHEET 1 OF 1		REV D1	



HSG., 12 POSN., FUSE CONTACT.