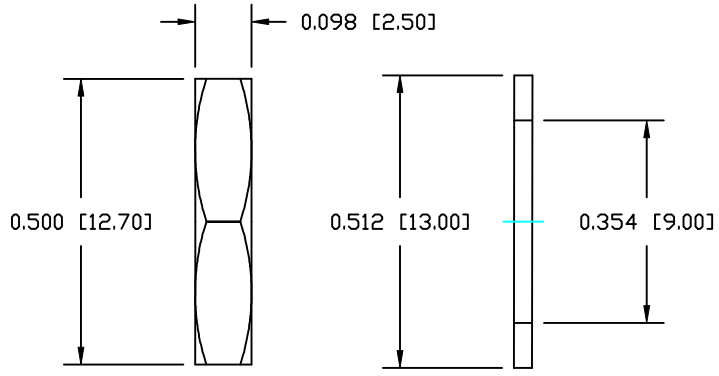
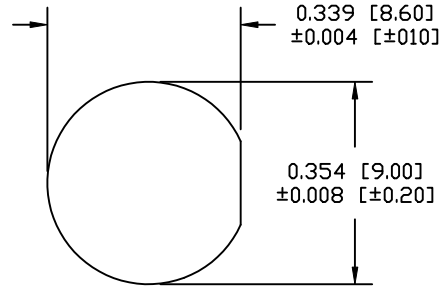


DESCRIPTION: M8 MALE - PANEL MOUNT (REAR) - SOLDER CUP - 4 POS.



NUT



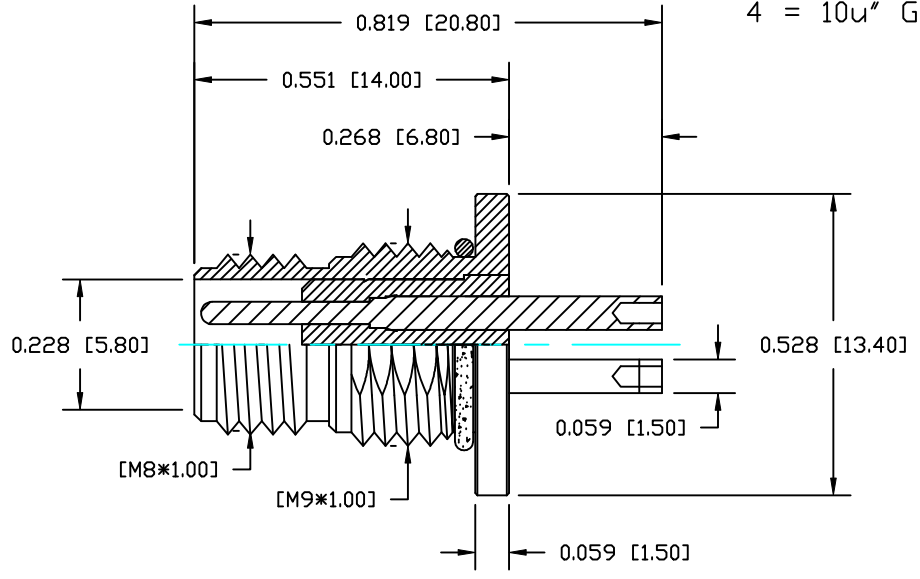
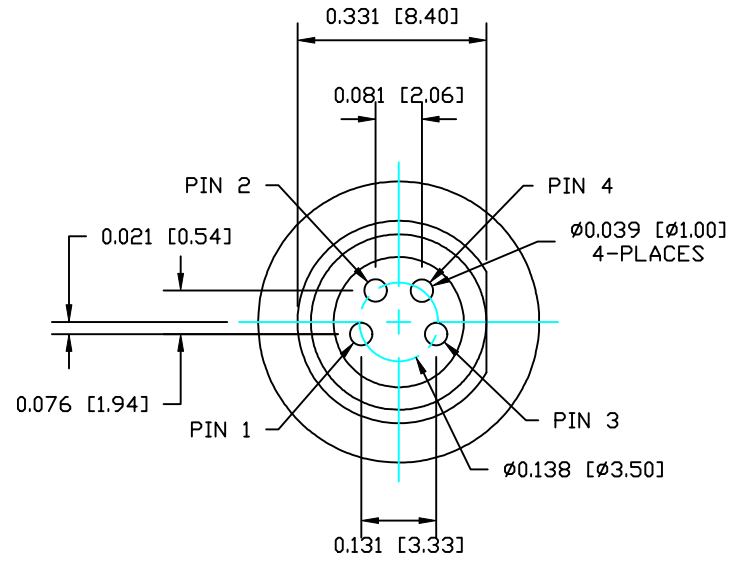
PANEL CUTOUT

NOTE:

MATERIAL	
HOUSING:	PBT UL94V-0, BLACK
CONTACT:	BRASS
NUT:	BRASS
SHELL:	BRASS
WASHER:	BRASS
O-RING:	NBR, BLACK
FINISH	
CONTACT:	GOLD PLATED
	OVER 50µ" NICKEL
SHELL:	NICKEL 60µ" TO 100µ"
WASHER:	NICKEL 60µ" TO 100µ"
NUT:	NICKEL 60µ" TO 100µ"
ELECTRICAL	
RATED CURRENT:	5A
RATED VOLTAGE:	125V
INSULATION RESISTANCE:	100 mOhms MIN.
CONTACT RESISTANCE:	10 MOhms MAX.
WATER PROOF:	IP67
ENVIRONMENT	
OPERATION TEMPERATURE:	-40°C TO +85°C
WIRE GAUGE:	24-28 AWG

855-004-103R00Y

1 = GOLD FLASH
4 = 10µ" GOLD



RoHS COMPLIANT

DO NOT SCALE FROM DRAWING



THESE DRAWINGS AND SPECIFICATIONS ARE THE PROPERTY OF NorComp AND SHALL NOT BE REPRODUCED, COPIED OR USED AS THE BASIS FOR THE MANUFACTURE OR SALE OF APPARATUS WITHOUT WRITTEN PERMISSION.

DRAWN: M. SIGMON	DATE: 03-04-16
CHECKED:	DATE:

NorComp

SCALE: N.T.S.	SHEET 1	OF 1	REV 1
DWG NO. 855-004-103R00Y			