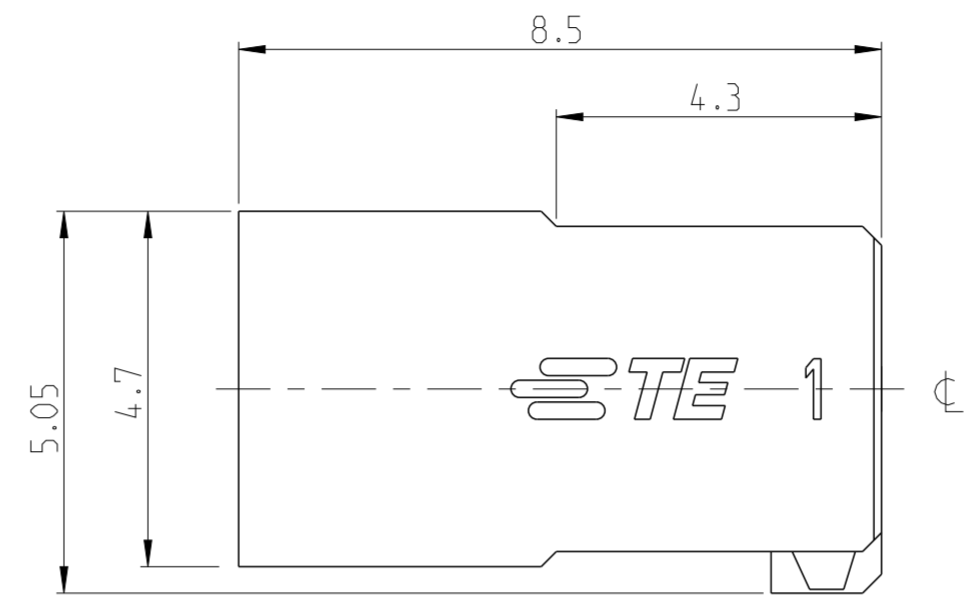
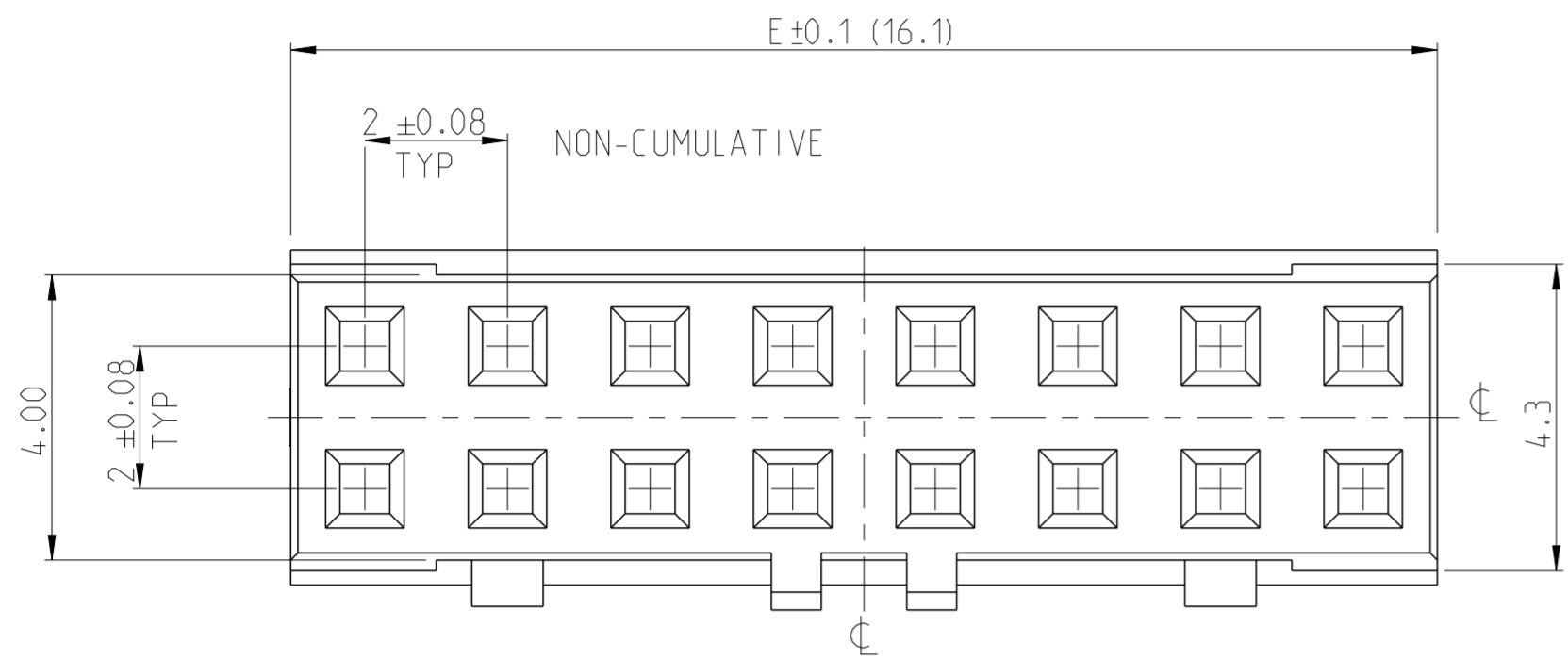
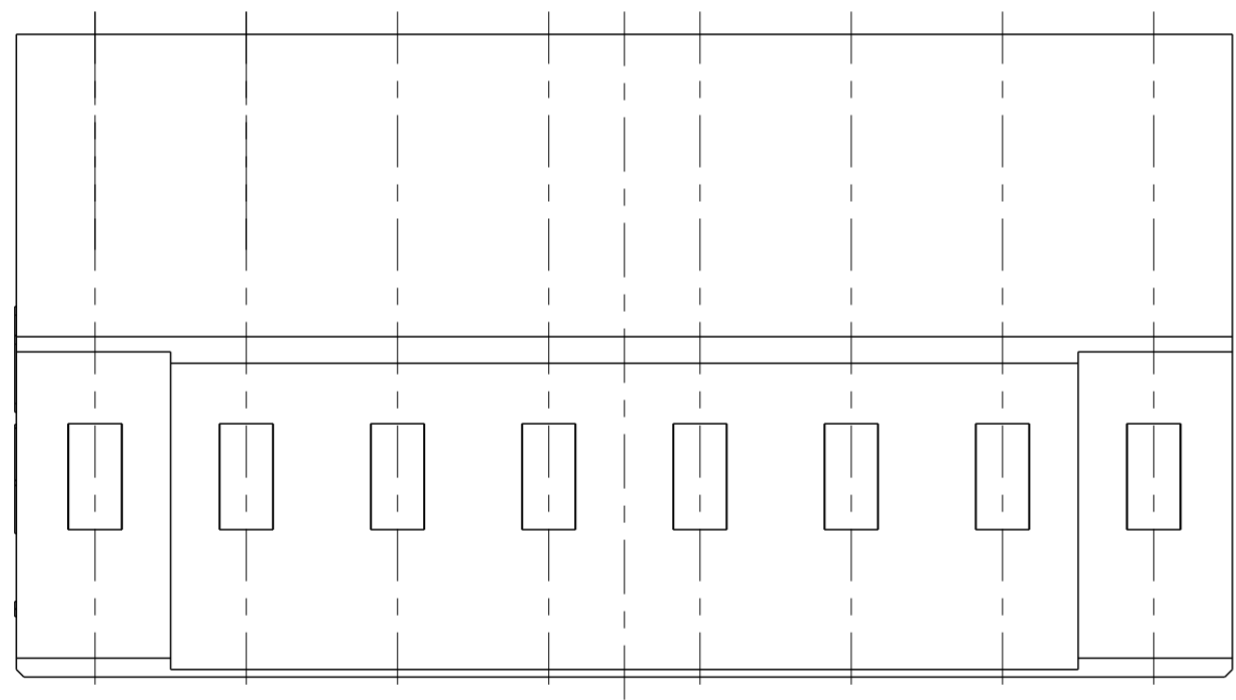


P	LTR	DESCRIPTION	DATE	DWN	APVD
A		RELEASE TO PRODUCTION	02APR2020	AY	PS
A1		34 POSITION ADDED	11MAR2021	AY	PS
A2		SMART PN DETAILS ADDED	15FEB2022	SCB	PS

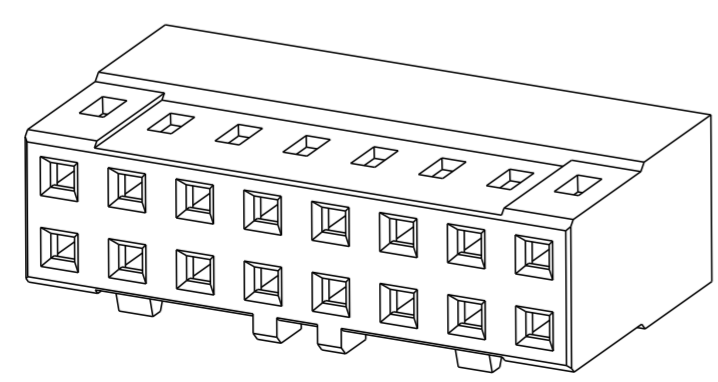


NOTES:

1. MATERIAL:
LCP BLACK, UL94 V0
2. N = NUMBER OF POSITION PER HOUSING.
3. HOUSING TO BE USED WITH CRIMP CONTACTS
2316113 (AWG 28-24/0.08-0.22 mm²) AND
2316114 (AWG 30-28/0.05-0.08 mm²)
4. PACKAGING : BULK BOX

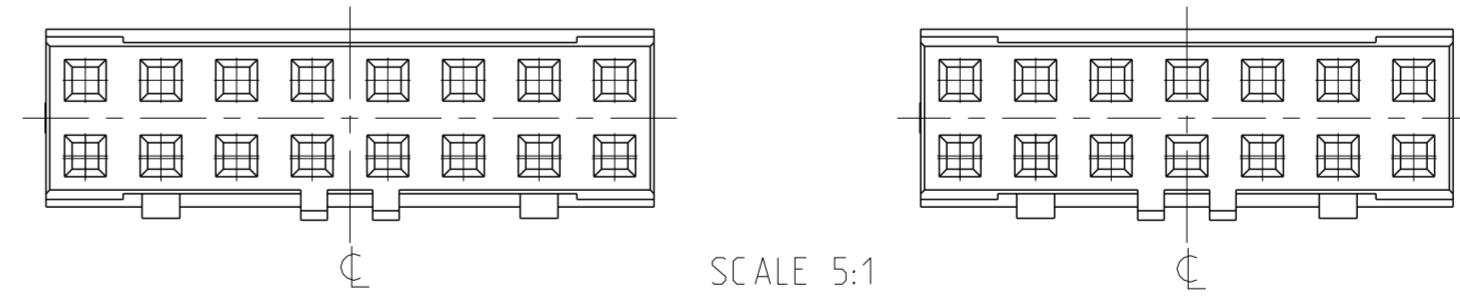


DUAL ROW HOUSING
POLARIZED W/ LOCKING RAMP.
1- -6 AS SHOWN



SCALE 5:1

CENTER LINE FOR ODD AND EVEN
POSITION HOUSINGS



SCALE 5:1

50.1	50	2MM-RCD-D25-BX
44.1	44	2MM-RCD-D22-BX
40.1	40	2MM-RCD-D20-BX
34.1	34	2MM-RCD-D17-BX
32.1	32	2MM-RCD-D16-BX
30.1	30	2MM-RCD-D15-BX
28.1	28	2MM-RCD-D14-BX
26.1	26	2MM-RCD-D13-BX
24.1	24	2MM-RCD-D12-BX
22.1	22	2MM-RCD-D11-BX
20.1	20	2MM-RCD-D10-BX
18.1	18	2MM-RCD-D09-BX
16.1	16	2MM-RCD-D08-BX
14.1	14	2MM-RCD-D07-BX
DIM "E"	N	SMART PN

THIS DRAWING IS A CONTROLLED DOCUMENT.

DIMENSIONS: mm	TOLERANCES UNLESS OTHERWISE SPECIFIED: 0 PLC ± 1 PLC ±0.15 2 PLC ±0.10 3 PLC ± 4 PLC ± ANGLES ±2° FINISH -	DWN 06SEP2016 RAKSHITH R NAYAK CHK 06SEP2016 PRASHANTH S APVD 06SEP2016 PRASHANTH S PRODUCT SPEC 108-64040-1 APPLICATION SPEC 114-32173 WEIGHT -	NAME AMPMODU 2mm RECEPTACLE, w/B HOUSING, CRIMP, DR, W/ LOCK RAMP
MATERIAL SEE NOTE 1		TE Connectivity	SIZE A2
		CAGE CODE 100779	DRAWING NO C-2316109
		CUSTOMER DRAWING	RESTRICTED TO -
		SCALE 10:1	SHEET 1 OF 2
			REV A2

REVISIONS				
P	LTR	DESCRIPTION	DATE	APVD
-		SEE SHEET 1	-	-

SMART PART NUMBER
2MM -RCD- D__ - BX

PRODUCT SERIES
2MM AMPMODU 2mm SERIES

GENDER / TYPE
RCD RECEPTACLE HOUSING FOR CRIMP WITH DETENT LATCH


NUMBER OF ROWS
D DUAL ROW

PACKAGING
BX BOX

NUMBER OF PINS PER ROW
XX 07 THROUGH 25 (ENTER TWO DIGITS)

SMART PN EXAMPLES:

- 2MM-RCD-D07-BX:
AMPMODU 2mm, RECEPTACLE HOUSING FOR CRIMP WITH DETENT LATCH, DUAL ROW, 07 POSITION PER ROW, BOX PACKAGING
- 2MM-RCD-D25-BX:
AMPMODU 2mm, RECEPTACLE HOUSING FOR CRIMP WITH DETENT LATCH, DUAL ROW, 25 POSITION PER ROW, BOX PACKAGING

THIS DRAWING IS A CONTROLLED DOCUMENT.		DWN 06SEP2016 RAKSHITH R NAYAK	 TE Connectivity	
DIMENSIONS: mm		CHK 06SEP2016 PRASHANTH S		
TOLERANCES UNLESS OTHERWISE SPECIFIED:		APVD 06SEP2016 PRASHANTH S	NAME AMPMODU 2mm RECEPTACLE, w/B HOUSING, CRIMP, DR, W/ LOCK RAMP	
0 PLC ±		PRODUCT SPEC	108-64040-1	
1 PLC ±0.15		APPLICATION SPEC	114-32173	
2 PLC ±0.10		WEIGHT	-	
3 PLC ±		CUSTOMER DRAWING	SCALE 1:1 SHEET 2 OF 2 REV A2	
4 PLC ±		RESTRICTED TO	-	
ANGLES ±2°		FINISH	-	
MATERIAL SEE NOTE 1				