

SPECIFICATIONS

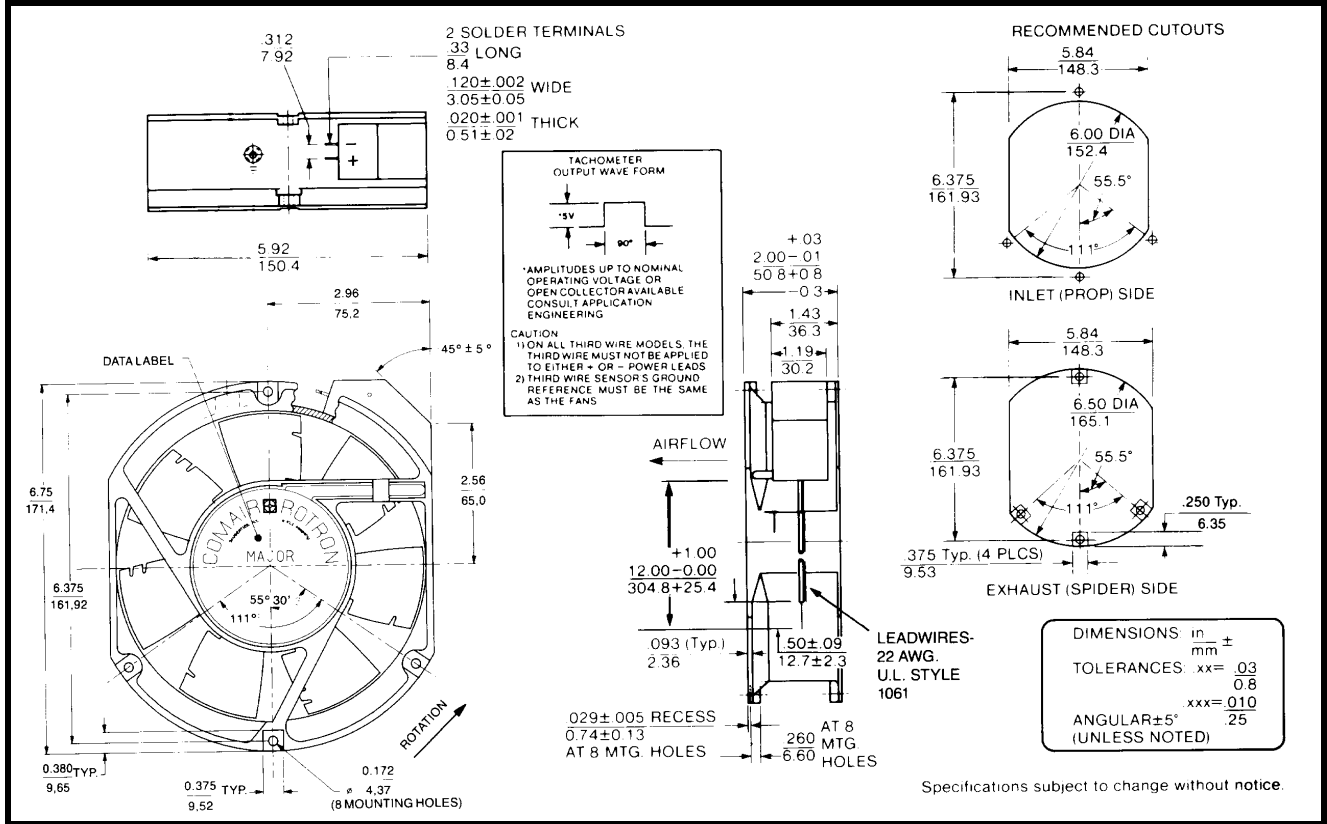
RoHS Compliant



Model Number: JQD24Z3E2X-E3
Part Number: 17001186A

Rev:00
Jun 12, 2018

Mechanical Drawing:



Motor:

Nominal Voltage	= 24 vdc
Operating Voltage Range	= 16 - 32 vdc
Nominal Running Current	= 1.30mps
Locked Rotor Current	= 2.50 amps
Running Power	= 31.2 watts
Average Speed	= 4500 RPM
Bearings	= Ball
Air Flow	= 305 CFM
Acoustic	= 60.4 dBA

Construction:

Venturi: Die-cast aluminum, painted black
 Propeller: Plastic, painted black

Life Expectancy:

This fan is designed for continuous duty life of 58,000 hours at 70°C.

Termination:

12"±1" (304.8±25.4mm) 22AWG UL1061 Leadwires

Red	= Power(+)
Black	= Return(-)
Blue/White	= Tach output
Yellow	= PWM control

Additional Features:

- Brushless DC Motor
- Soft Start Inrush Current
- Electronic Locked Rotor Protection
- Polarity Protected
- Automatic Restart Capability
- Operating Temperature: -10°C to 70°C
- Storage Temperature: -40°C to 85°C
- Environmental Protection: Type 3(IP68)

TACHOMETER:

Output:	Open Collector
Ic:	20 mA max.
Vcc:	32 Vdc max.
Pulses per Revolution:	2
Isolated:	No

Speed Control:

- PWM: 200 ~ 2 KHz, Open Collector
- <10% Duty: Off
- 10%~95% Duty: Linear Ramp
- >95% Duty or Open Lead Wire: Full Speed

Agency Approvals:

UL, CUL, CE

PQ Curve:

