

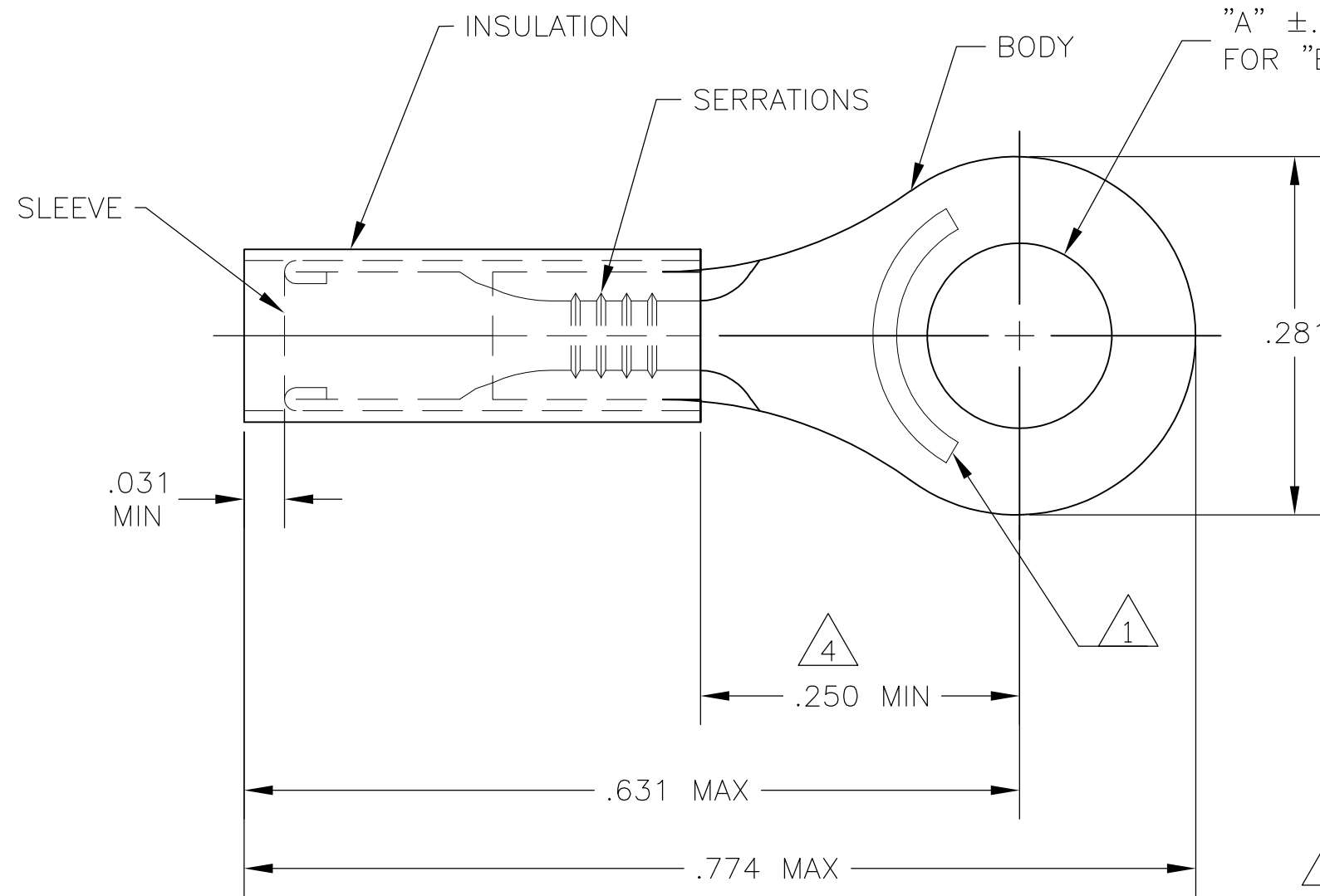
THIS DRAWING IS UNPUBLISHED. RELEASED FOR PUBLICATION  
 © COPYRIGHT - By - ALL RIGHTS RESERVED.

LOC	DIST	REVISIONS					
		P	LTR	DESCRIPTION	DATE	DWN	APVD
G	14		K5	REVISED PER ECO-11-004820	11MAR11	RK	HMR

**AMP**  
WIRE RANGE

---

22-20 AWG  
STRANDED



- 1 STAMP AMP 22-20 APPROX AS SHOWN
- 2 FOR .035 TO .100 WIRE INSULATION DIA
- 3 TONGUE MATERIAL THK .023±.002
- 4 DIMENSION APPLIES FROM EDGE OF METAL WIRE BARREL TO CENTER OF STUD HOLE.
- 5 BODY: MATERIAL - COPPER ASTM B152  
FINISH - OVER NICKEL PLATE (QQ-N-290) .0003 AVG EXT. THK.
- 6 SLEEVE: MATERIAL - COPPER ASTM B152  
FINISH - NICKEL PL. (QQ-N-290) .00003 AVG EXT. THK.
- 7 INSULATION:  
MATERIAL - TEFLON (ASTM D3295)  
COLOR: GREEN
- 8 REPLACED BY 50831
- 9 OBSOLETE PARTS: OBSOLETE CIS STREAMLINING PER D.RENAUD/D.SINISI

	#	QTY	DESCRIPTION	PART NO.
	#4	100	SMALL PACK 50831	8-50831-1
SUPERSEDED	#6	2500	50831-1 ON TAPE	50831-3
OBSOLETE	#4	2500	50831 ON TAPE	50831-2 8
	#6	1000	LOOSE PIECE	50831-1
	#4	1000	LOOSE PIECE	50831
	"B"	"A"	PACKAGE TYPE	PART NO.

THIS DRAWING IS A CONTROLLED DOCUMENT.		DWN JR RUTH 06AUG07	<b>STE</b> TE Connectivity	
DIMENSIONS: INCHES		CHK T MICHIELUTTI 06AUG07		
TOLERANCES UNLESS OTHERWISE SPECIFIED:		APVD T MICHIELUTTI 06AUG07	NAME	
0 PLC ± -		PRODUCT SPEC	TERMINAL - TEFLON, PIDG, STRATO-THERM, RING TONGUE,	
1 PLC ± -		APPLICATION SPEC	-	
2 PLC ± .02		WEIGHT	SIZE	CAGE CODE
3 PLC ± .008			A3	00779
4 PLC ± -			DRAWING NO	RESTRICTED TO
ANGLES ± 1°			C-50831	-
MATERIAL	FINISH	CUSTOMER DRAWING		
5 6 7	5 6 7	SCALE	SHEET	REV
		8:1	1 OF 1	K5