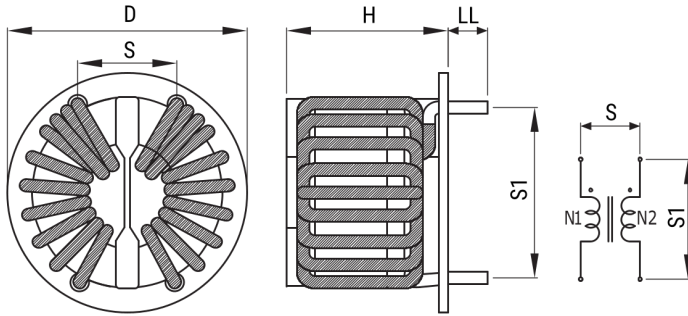


SC-20-10JH

Aliases (UALSC2010JH000)

KEMET, SC-JH, AC Line Filters, Common Mode, 1mH



Click [here](#) for the 3D model.

Dimensions

| | |
|-----------|------------|
| D | 51mm MAX |
| H | 34mm MAX |
| LL | 5mm +/-2mm |
| S | 15mm NOM |
| S1 | 35mm NOM |
| Wire Size | 2mm |

Packaging Specifications

| | |
|--------------------|-------|
| Packaging | Tray |
| Packaging Quantity | 100 |
| Component Weight | 110 g |

General Information

| | |
|---------------|---|
| Series | SC-JH |
| Style | Through-Hole |
| RoHS | Yes |
| Notes | Lead Spacing (S/S1) Are For Reference Only. |
| Miscellaneous | Temperature Rise Maximum: 50 K. |
| Core | Mn-Zn Ferrite |

Specifications

| | |
|-------------------|----------------|
| Voltage AC | 250 VAC |
| Inductance | 1 mH (100 kHz) |
| Current | 20 A |
| Temperature Range | -25/+105°C |
| DC Resistance | 8 mOhms |