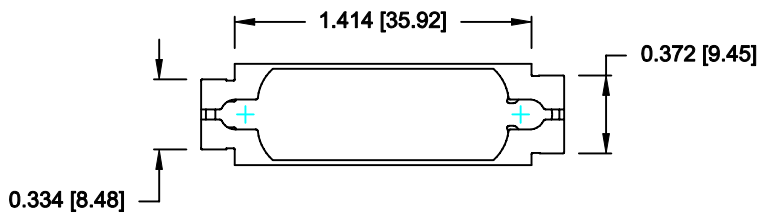
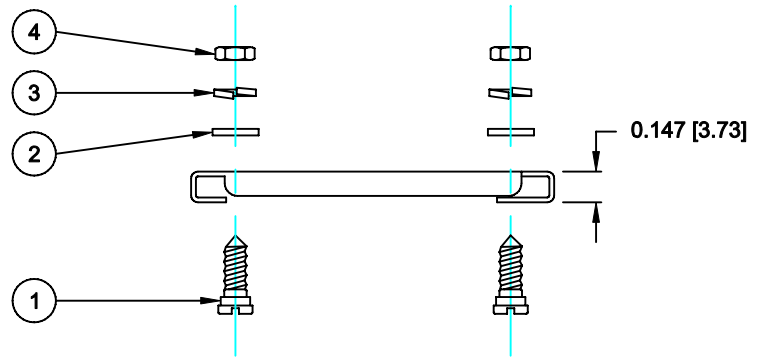
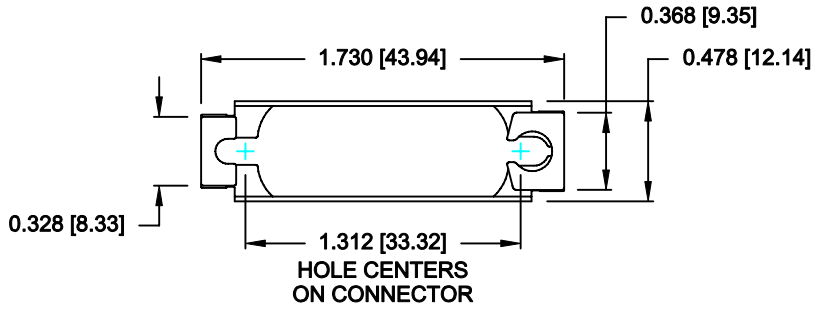


DESCRIPTION: 15-POSITION SLIDE LOCK

HIDDEN LINES  
NOT SHOWN  
FOR CLARITY



- KIT INCLUDES:**  
 (1) SLIDE LOCK BAR  
 (2) 4-40 POSTS  
 (2) FLAT WASHERS  
 (2) LOCK WASHERS  
 (2) 4-40 NUTS

**MATERIALS:**  
 SLIDE LOCK: STAINLESS STEEL  
 WASHERS & NUT: STEEL NICKEL PLATED

**SCREW**

ITEM NO.
1

**FLAT & SPLIT WASHERS**

ITEM NO.	ID	OD	WIDTH
2	0.120	0.220	0.031
3	0.120	0.220	0.031

**HEX NUT**

ITEM NO.	ID	OD	WIDTH
4	4-40	0.187	0.062

**DO NOT SCALE FROM DRAWING**



THESE DRAWINGS AND SPECIFICATIONS ARE THE PROPERTY OF NorComp AND SHALL NOT BE REPRODUCED, COPIED OR USED AS THE BASIS FOR THE MANUFACTURE OF SALE OF APPARATUS WITHOUT WRITTEN PERMISSION.

DRAWN:  
**WAYNE ROBBINS**

DATE:  
**12-05-05**

CHECKED:

DATE:

**NorComp**

SCALE: 1:1 SHEET 1 OF 1 REV 2

DWG NO. 160-015-003R031

**RoHS COMPLIANT**