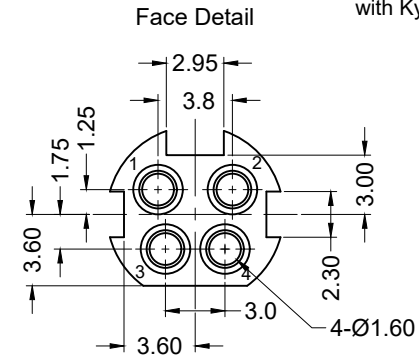


Recommended PCB Layout
(Bottom View)



Material and Finish

Body: PBT Thermoplastic
UL94V-0 Rated
Color: Black

Contacts: Brass, Tin Plated

Inner Shield: Copper Alloy,
Tin Plated

Electrical Characteristics

Contact Rating (Per Pin):
7.5A Max. @ 48V DC

Insulation Resistance:
50 Megohms Min. at 250V DC

Dielectric Withstanding Voltage:
500V AC RMS for 1 Min.

Contact Resistance:
30 milliohms Max.

Mechanical Characteristics

Operating Temperature:
-40°C to 75°C

Note:
Recommended for use
with Kycon KPPX plug.

Tolerances

X.X ± 0.35
X.XX ± 0.25
Unless Stated
Otherwise



REV.	DATE	DESCRIPTION	REV. BY	CHK. BY	DRAWN BY	DATE
A8	11/13/13	ECO #13-088	C. Kelleher	P. DalCanto	H. MA	3/8/05
A9	09/18/15	ECO #13-010	C. Kelleher	W. Cook		
A10	02/19/16	ECO #16-005	C. Kelleher	W. Cook		
A11	08/20/18	ECO #18-034	G. Serrato	D. Shehan		
A12	10/05/18	ECO #18-051	G. Serrato	D. Shehan		
A13	08/15/22	ECO #22-004	W. Cook	C. Furumasa		

KPJX-4S

DC Power Jack, RoHS Compliant

4 Position, Non-Shielded

