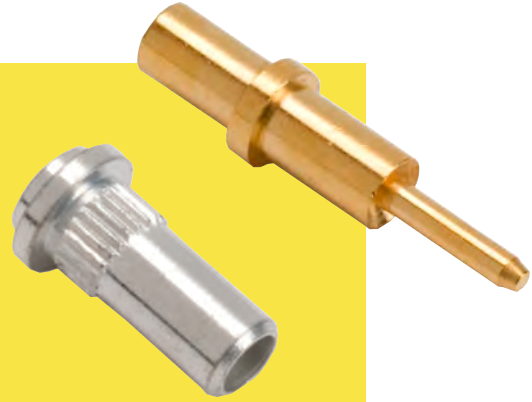


PC Board Sockets

Ø1.00mm Mating Pin

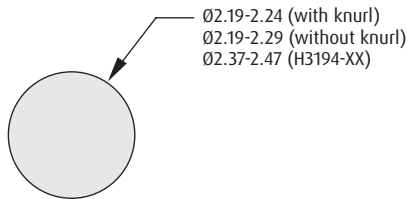
- Compatible with Ø1.00mm mating pins – see table below.
- Knurled option available for added pin retention.
- Construction uses four finger Beryllium Copper contact from M300 range.



SOCKETS

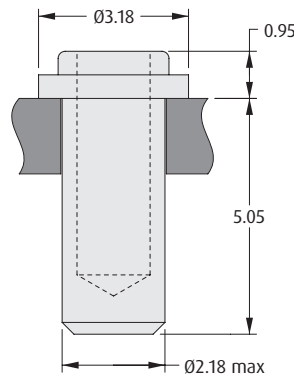
Specifications

Mating pin size: Ø0.90 - 1.05mm
 Contact depth: 3.55mm max
 Pin length: See individual sockets



Recommended PC Board Pattern

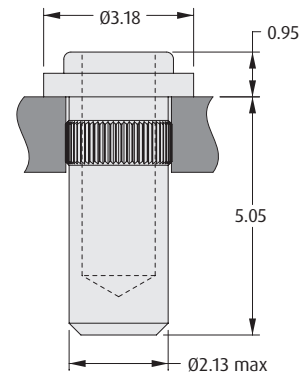
5.05mm BODY LENGTH



ORDER CODE	FINISH
H3184-01	Gold contact, Tin shell
H3184-05	Gold contact, Gold shell

Maximum Pin Length = 4.75mm

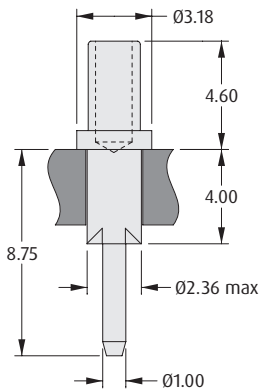
5.05mm BODY, KNURL



ORDER CODE	FINISH
H3167-01	Gold contact, Tin shell
H3167-05	Gold contact, Gold shell

Maximum Pin Length = 4.75mm

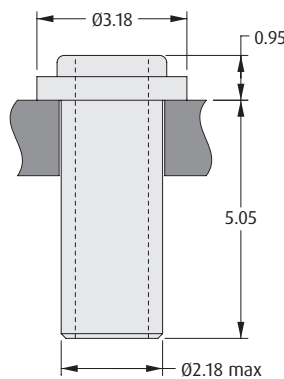
RAISED SHOULDER, TAIL



ORDER CODE	FINISH
H3194-01	Gold contact, Tin shell
H3194-05	Gold contact, Gold shell

Maximum Pin Length = 4.30mm

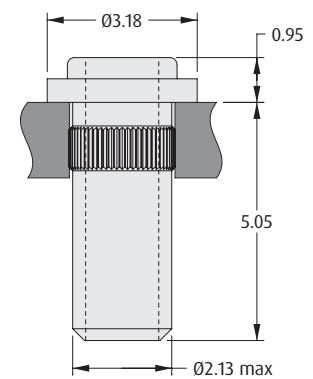
5.05mm BODY, OPEN END



ORDER CODE	FINISH
H3185-01	Gold contact, Tin shell
H3185-05	Gold contact, Gold shell

Open End - No Maximum Pin Length

5.05mm OPEN END, KNURL



ORDER CODE	FINISH
H3169-01	Gold contact, Tin shell
H3169-05	Gold contact, Gold shell

Open End - No Maximum Pin Length

All dimensions in mm.