



SMD Transformer

AUI15-4677

- UI15 Core SMD Package
- Extended Operating Temperature: -40°C to +125°C
- Unit weight: 6.0g/pc



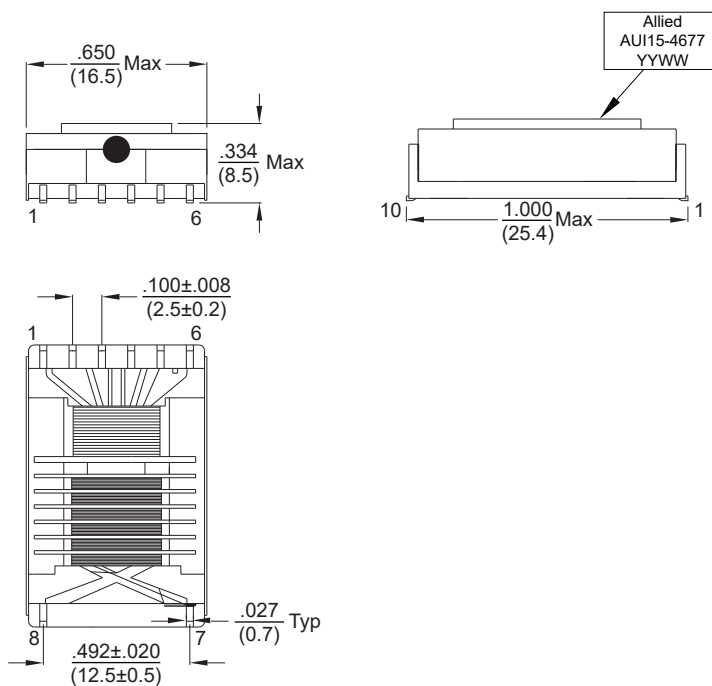
Electrical Specifications @ 25°C

Inductance @60KHz, 1.0V (2 - 4)	Leakage Inductance @60KHz, 1.0V (2 - 4) Short (7,8)	DCR Max		Turns Ratio @ 15.75KHz, 1.0V (2 - 4) : (7 - 8)	Hi-Pot VAC / 5mA / 1Sec	
240µH ±25%	20µH ±25%	(2 - 4)	(7 - 8)	1 : 73.636 3%	Pri - Sec	Pri,Sec - Core
		200mΩ	380Ω		1500 Max	1000 Max

All specifications subject to change without notice.

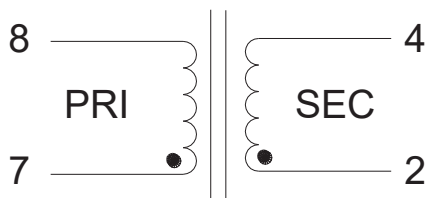
MECHANICAL

Dimensions: $\frac{\text{inch}}{\text{mm}}$

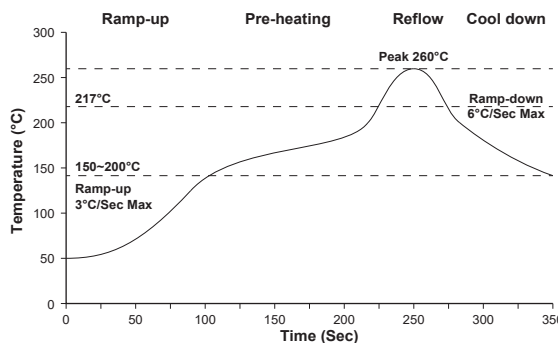


BOTTOM VIEW

SCHEMATIC



SOLDER PROFILE



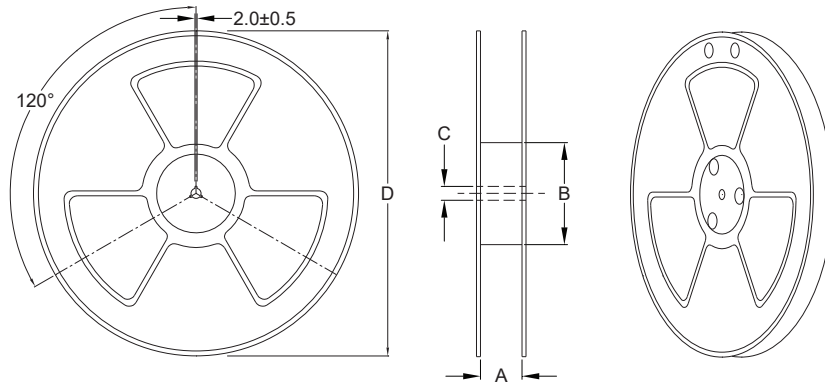
Item	Ramp-up	Pre-heating	Reflow	Peak Temp.	Cool down
Temp Spec	R.T.-150°C	150-200°C	217°C	260±5°C	PeakTemp-150°C
Time Spec	--	60-180 Sec	60-150 Sec	20-40 Sec	--



Packaging Information

Reel Dimensions:

Dimensions: mm



A(mm)	B(mm)	C(mm)	D(mm)
45.0±1.0	100±2.0	13.5±0.5	330

Tape Dimensions:

