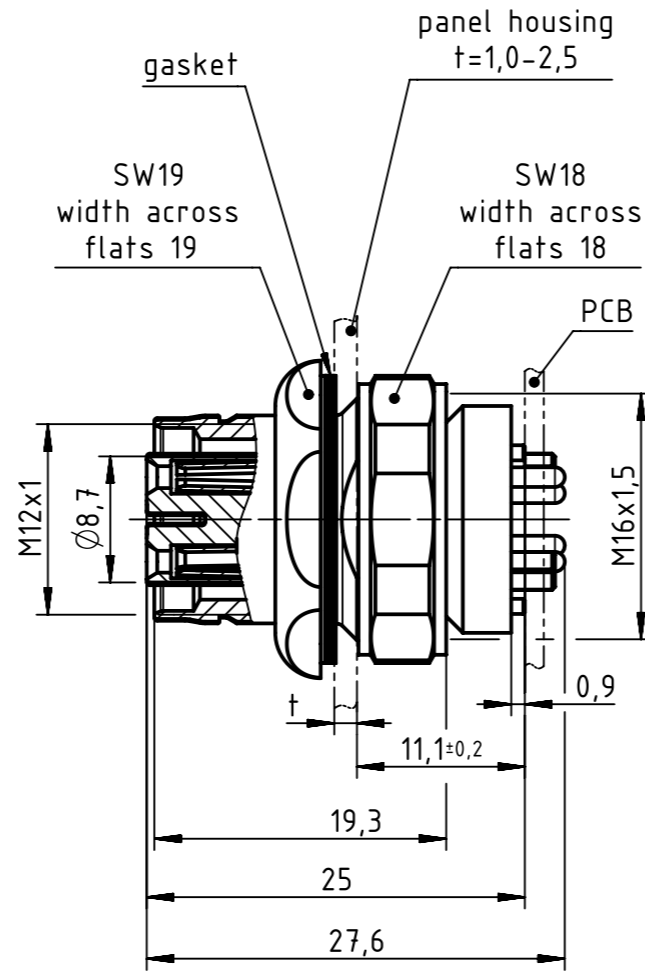
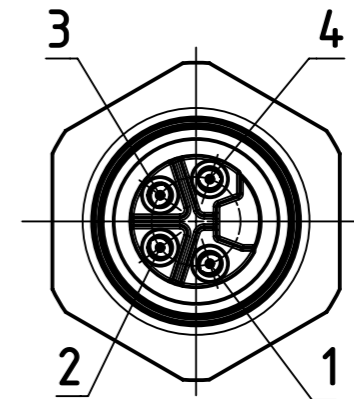


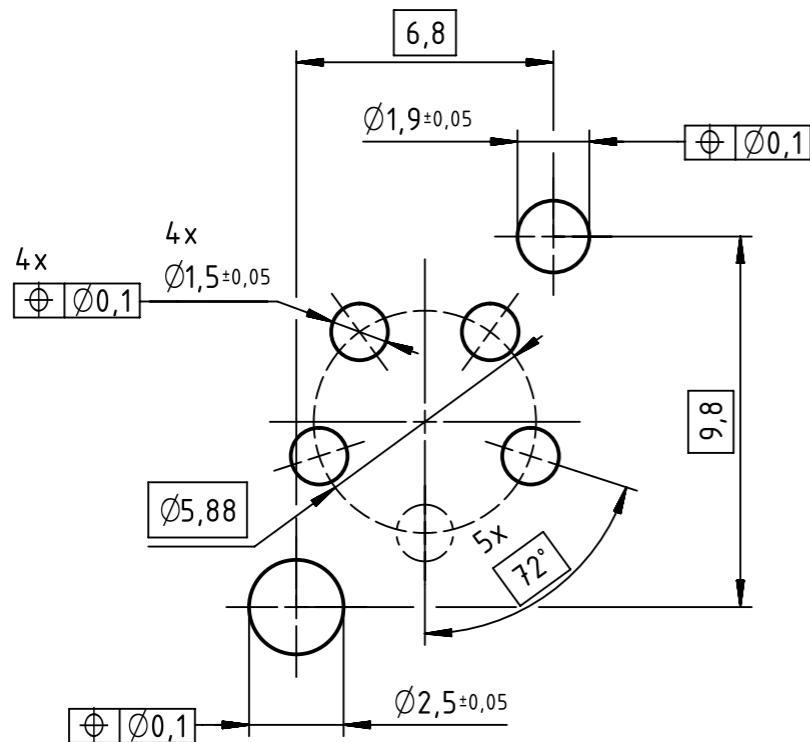
A →



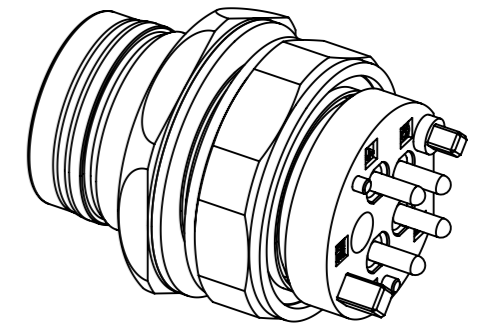
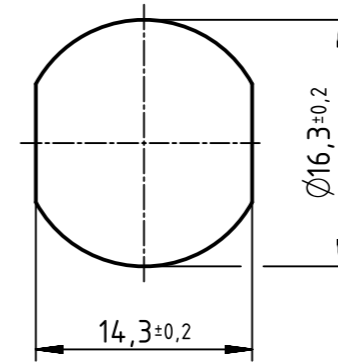
contact face based on IEC 61076-2-111



**A (5:1)**  
recommended PCB-layout



panel cut out  
**(2:1)**



	All rights reserved	Created by SERBANA	Inspected by DRAGHICI	Standardisation HOFFMANN	Date 2018-10-30	State Final Release	
	Department EL PD	Title M12 power PCB receptacle female L-coded w/o FE front				Doc-Key / ECM-Nr. 10074.7772/UGD/000/E 50000014.154.1	
HARTING Electronics GmbH D-32339 Espelkamp		Type TB	Number 21033962532			Rev. E	Page 1/1