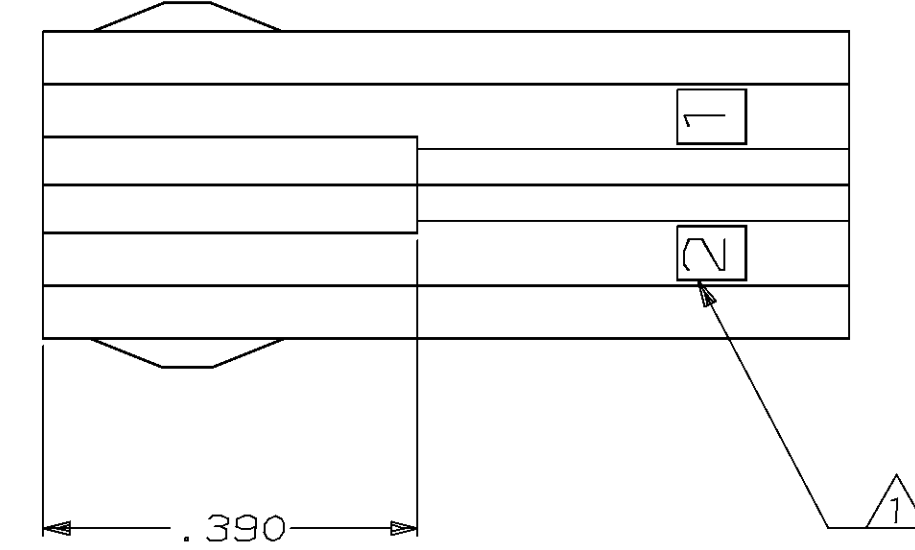
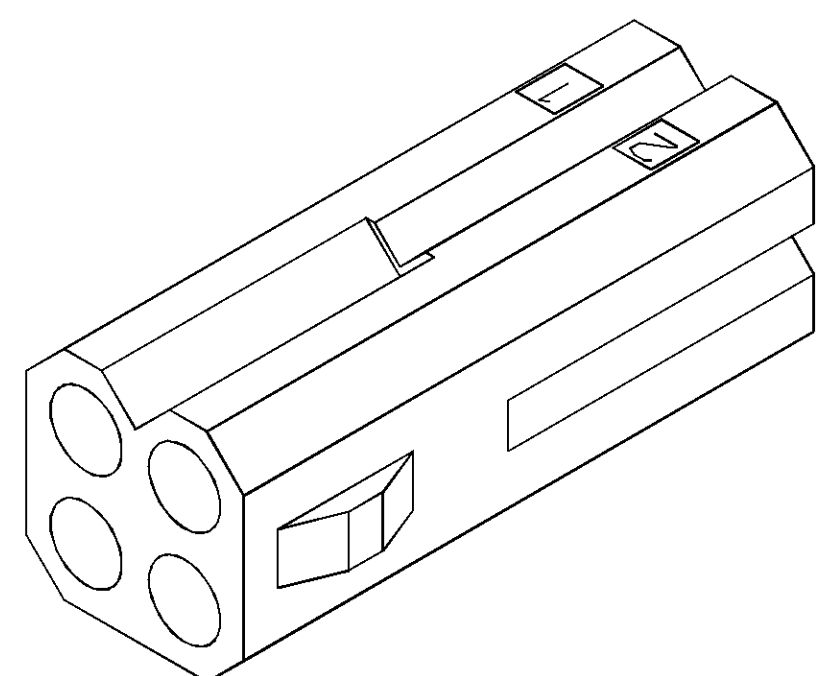
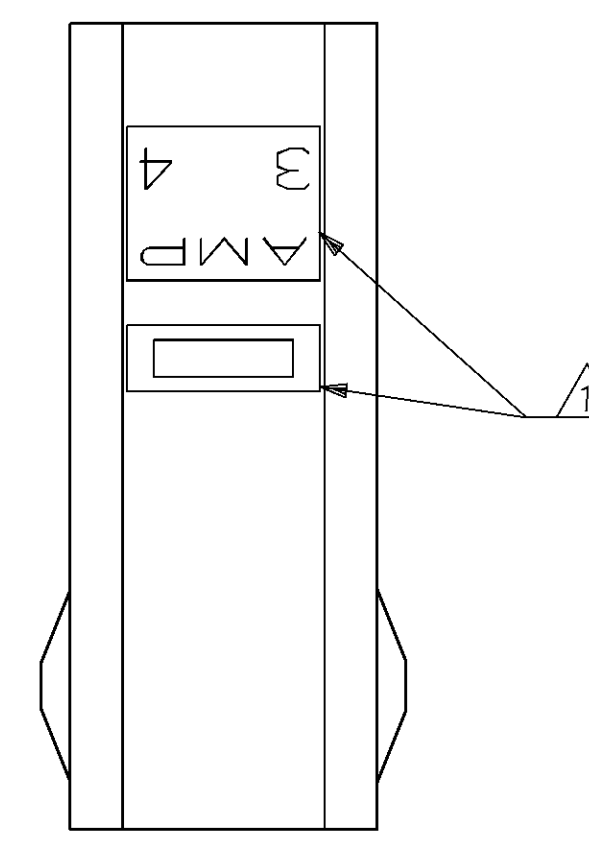
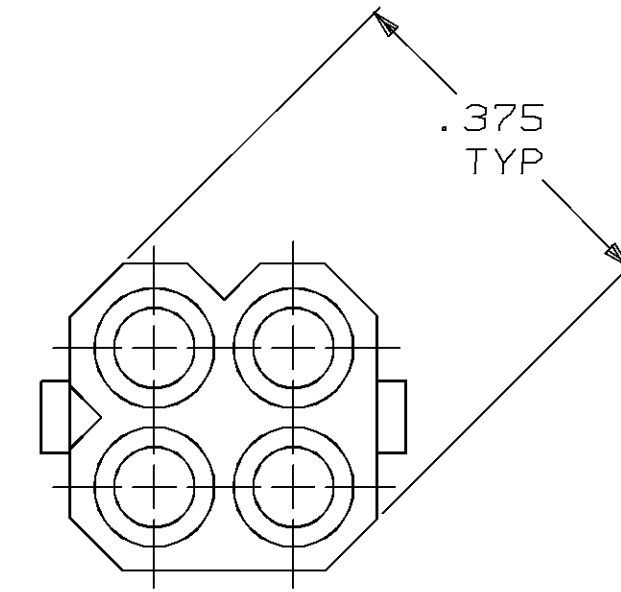
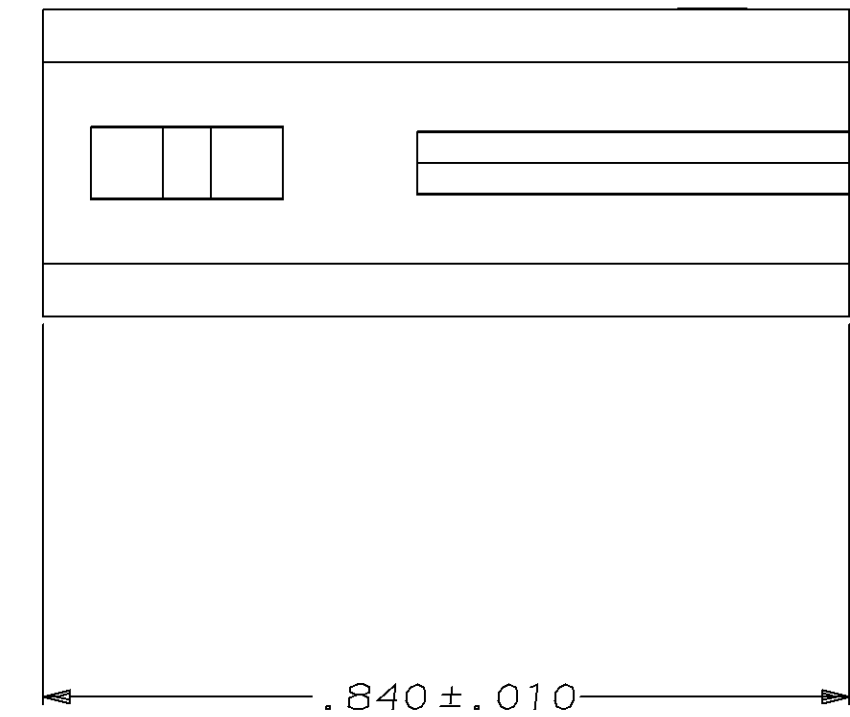
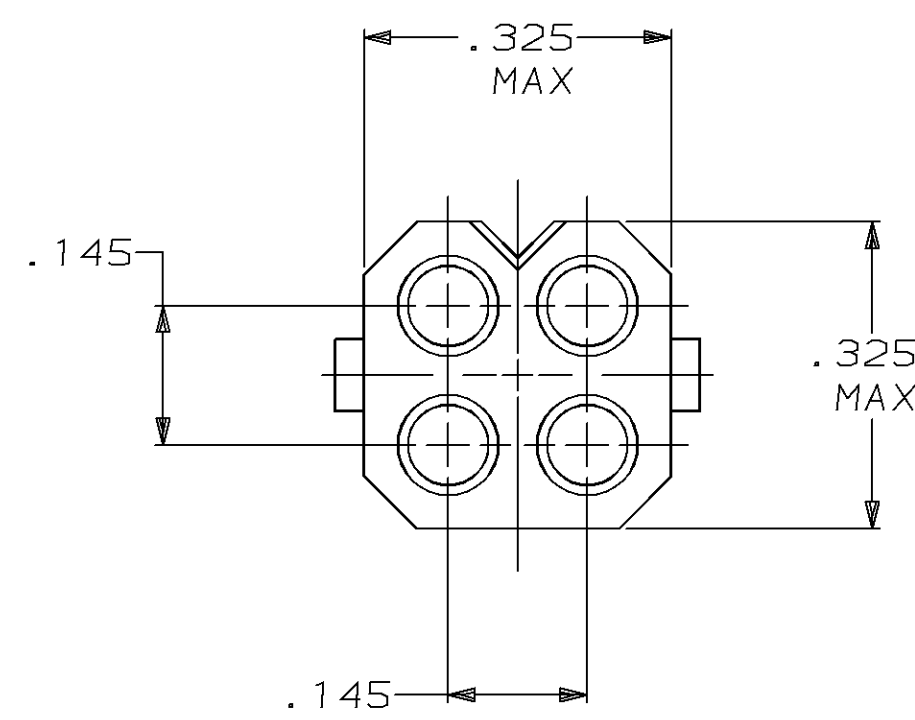


LOC		DIST		P		F		ZONE		LTR		REVISIONS			
CM	53											DESCRIPTION	DATE	APPD	
												D	REV PER EC 0L30-0084-96	10-24-96	JH RS



- 1. AMP LOGO AND CIRCUIT NUMBER LOCATED APPROXIMATELY AS SHOWN.
- 2. PART FITS THROUGH A .395 DIA HOLE.
- 3. MATING HOUSING PART NUMBER IS 770538-1.



3-DIMENSIONAL MODEL
NTS

IN	MM	IN	MM
.325	8.26	-	-
.145	3.68	.840	21.34
.062	1.57	.395	10.03
.010	0.25	.390	9.91
.005	0.13	.375	9.53
IN	MM	IN	MM

CONVERSION TABLE

METRIC

DO NOT SCALE PRINT. UNLESS SPECIFIED DIMENSIONS IN INCHES TOLERANCES ON: 2 PLC DEC ± 3 PLC DEC ± .005 ANGLES ±		DR 8-16-96 B. LEWIS	AMP AMP INCORPORATED Harrisburg, Pa. 17105	
MATERIAL NYLON, UL94V-2, NATURAL		CHK 8-16-96 R. SWING		
FINISH		APPD 8-16-96 C. CASH	NAME RECEPTACLE, 4 CIRCUIT, .062 PIN AND SOCKET	
APPLICATION SPEC		APPD 8-16-96 C. CASH	DRAWING NO 770432	
WEIGHT		PRODUCT SPEC	SIZE D	FSCM NO 00779
			SCALE 5:1	SHEET 1 OF 1

770432-1
PART NO