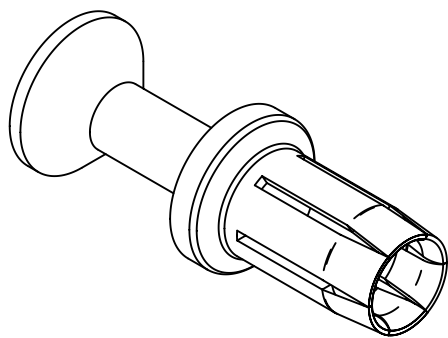


assembly notes see catalog  
 crimp tool 09 99 000 0377 (without locator)  
 for stranded fine wire acc. to VDE 0295 class 5/IEC 60228 class 5  
 wire gauge: 6mm<sup>2</sup>  
 stripping length: 15mm



	All Dimensions in mm Original Size DIN A4		Scale 2:1	Free size tol.		Ref.
						Sub.
	All rights reserved		Created by RULLKOETTER	Inspected by SCHNIEDER	Standardisation RUETERA	Date 2018-07-09
	Department EL PD					State Final Release
HARTING Electric GmbH & Co. KG D-32339 Espelkamp			Title Han TC70 female contact 6mm <sup>2</sup>			Doc-Key / ECM-Nr. 100180779/UGD/004/E 500000137397
			Type TB	Number 09 11 000 6230		Rev. E
						Page 1/1