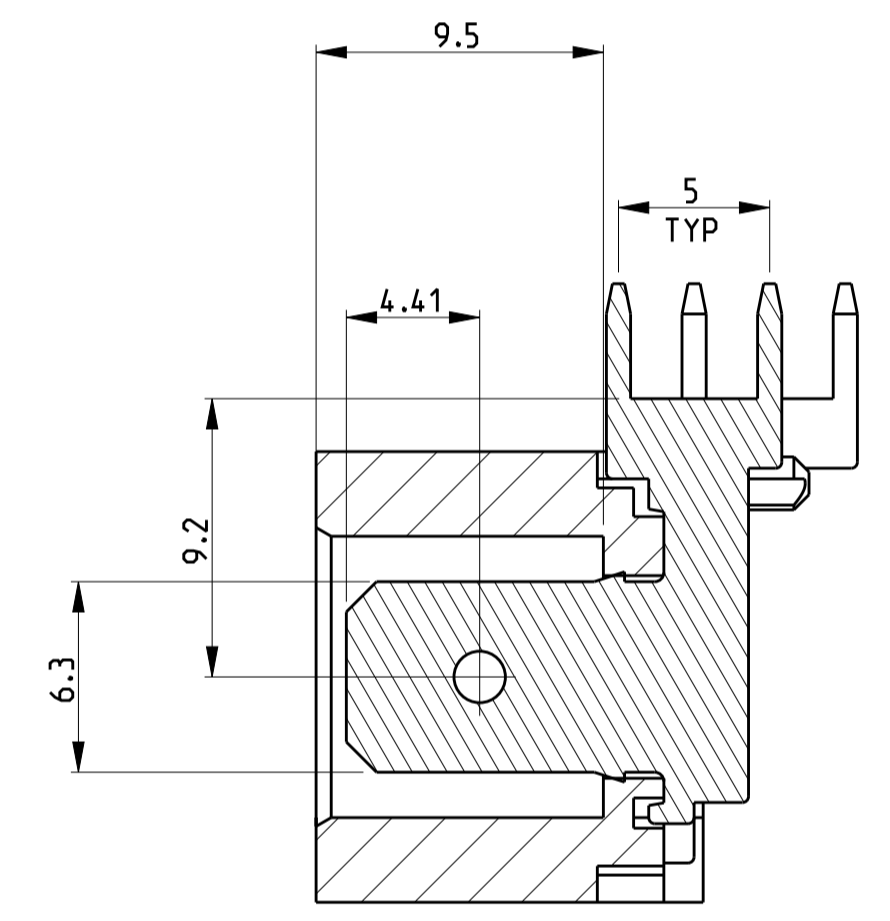
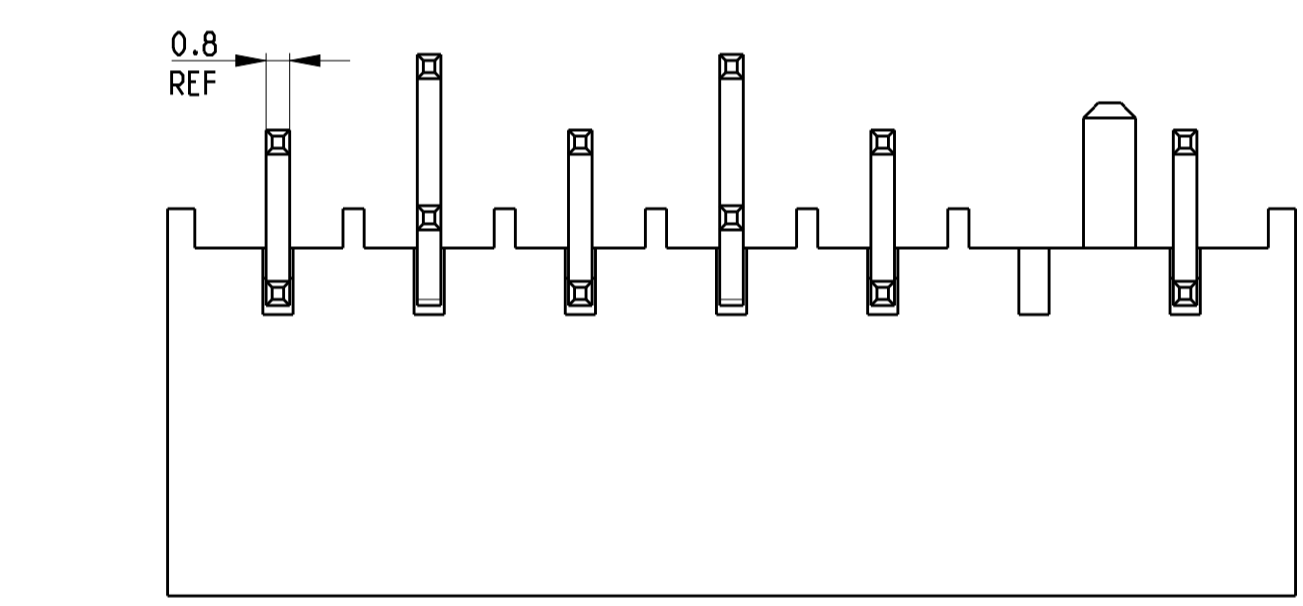
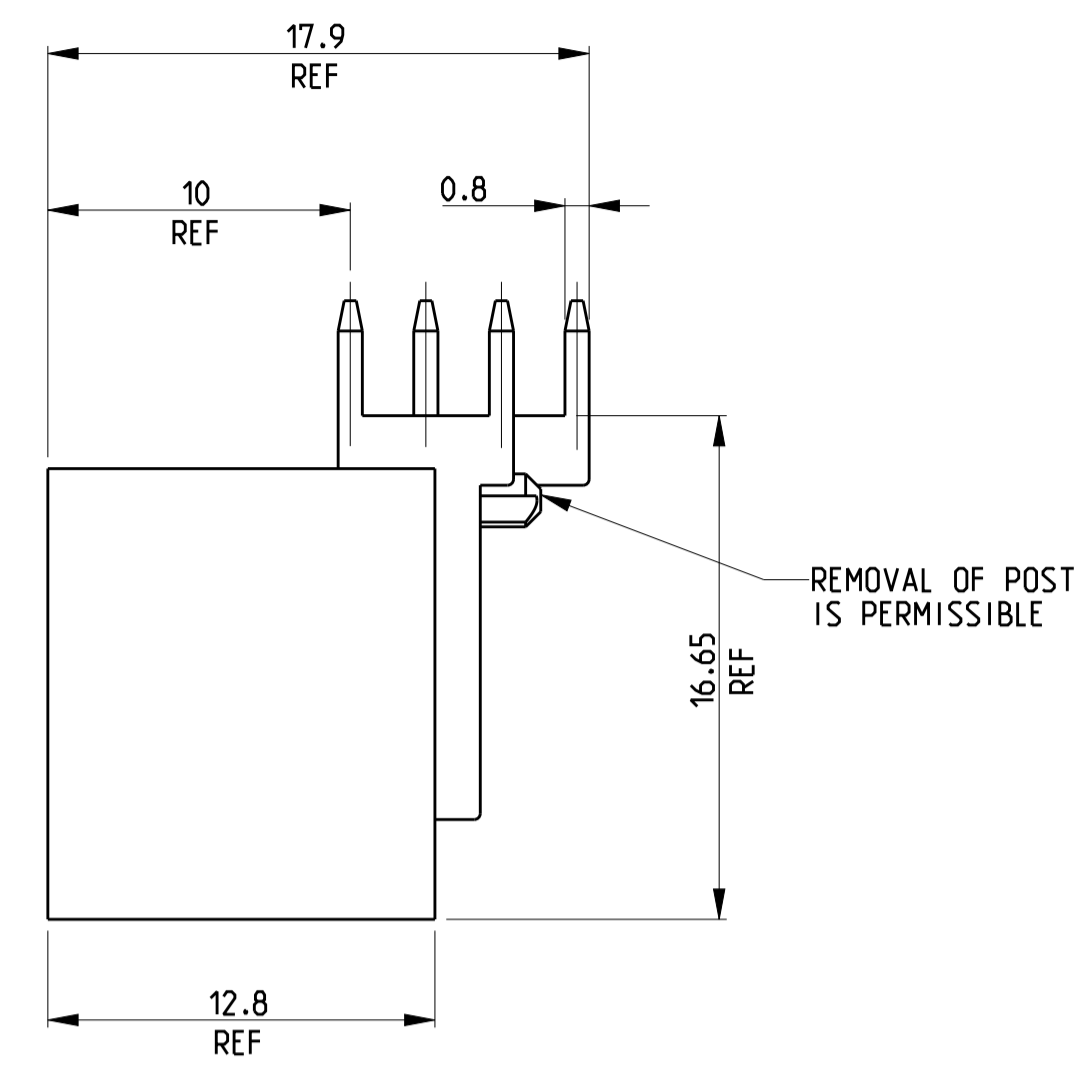
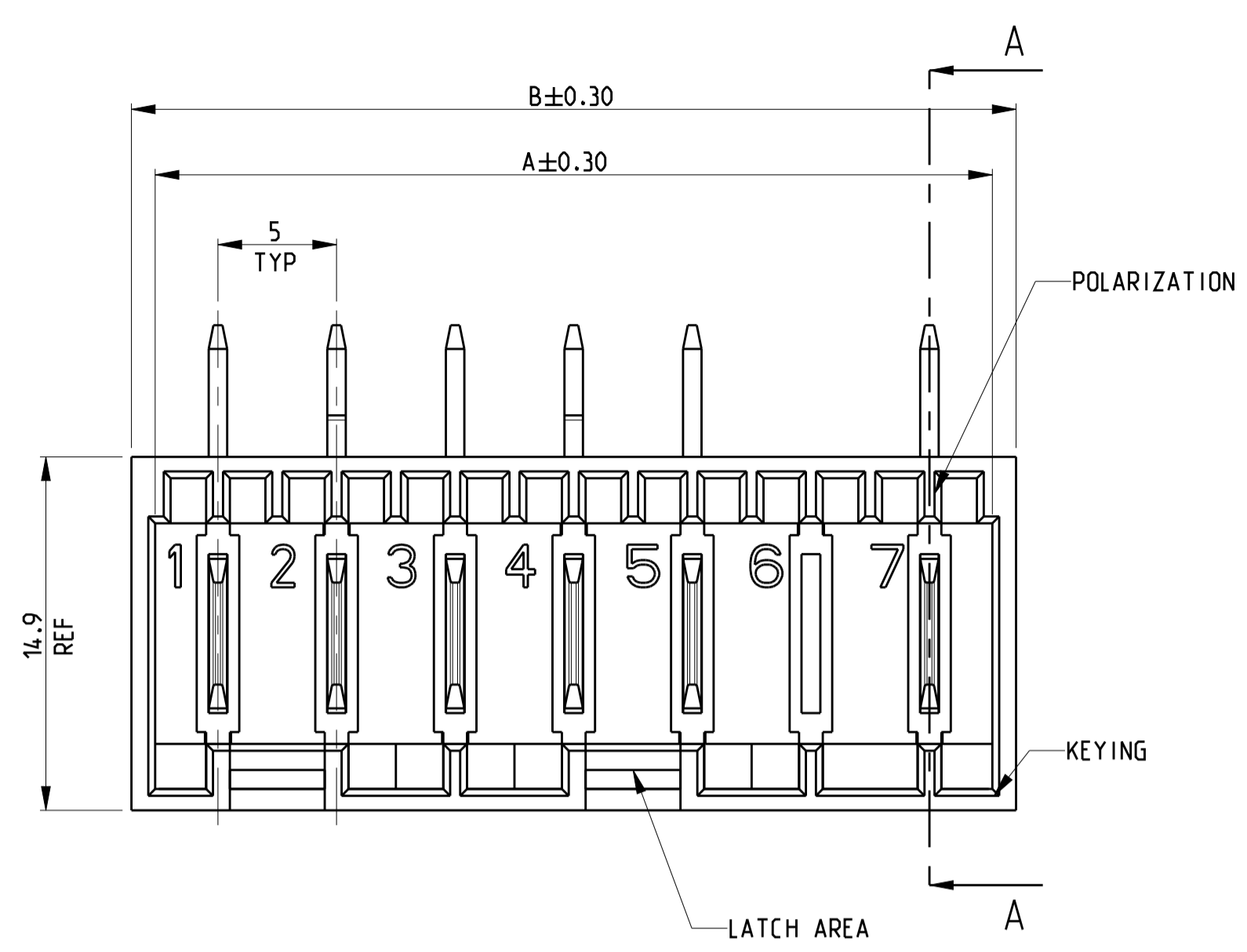
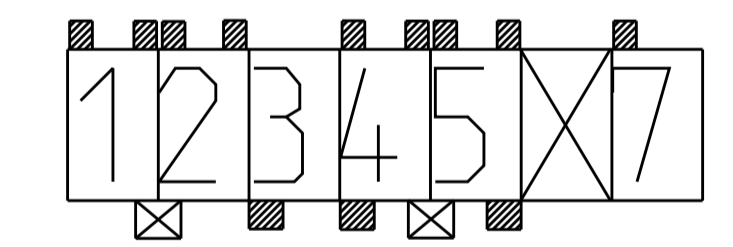
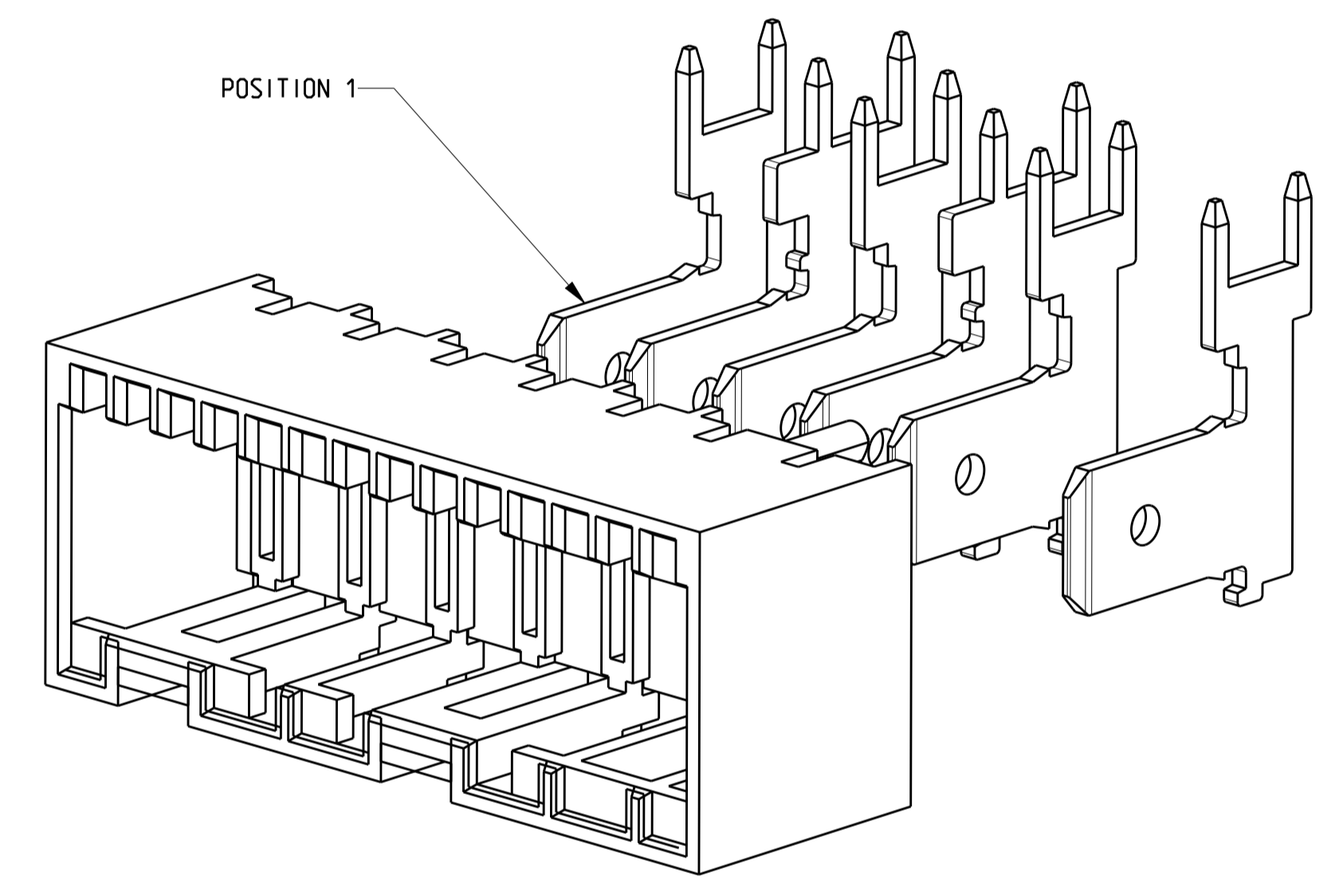


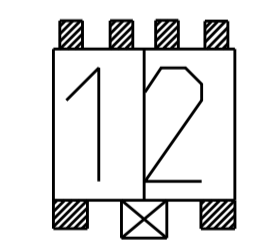
LOC		DIST		REVISIONS			
P	LTR	DESCRIPTION	DATE	DRW	APVD		
A1		Released with ECR-12-020949	05DEC2012	C.J	R.P		
A2		ECO-16-006939	06MAY2016	SS	RR		
A3		ECR-16-012393	30AUG2016	KD	RR		



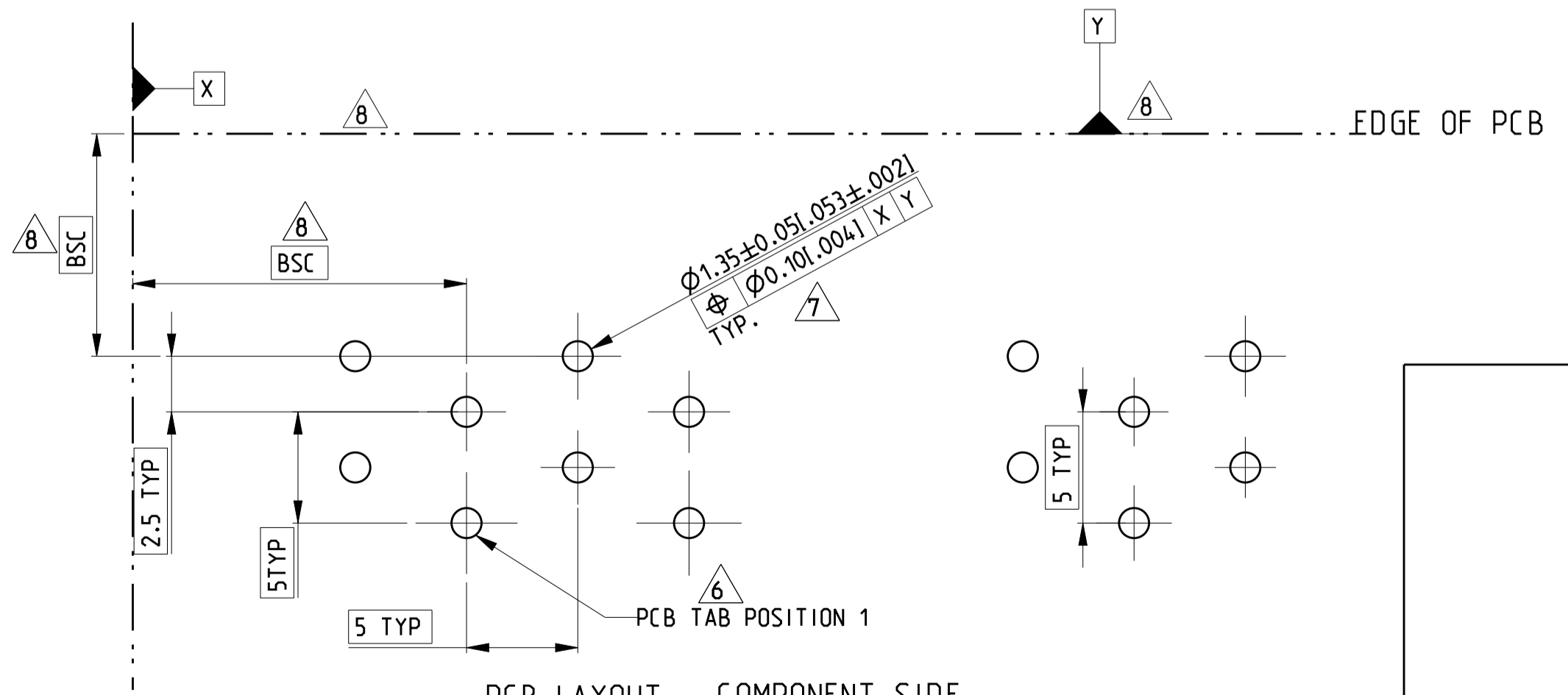
SECTION A-A



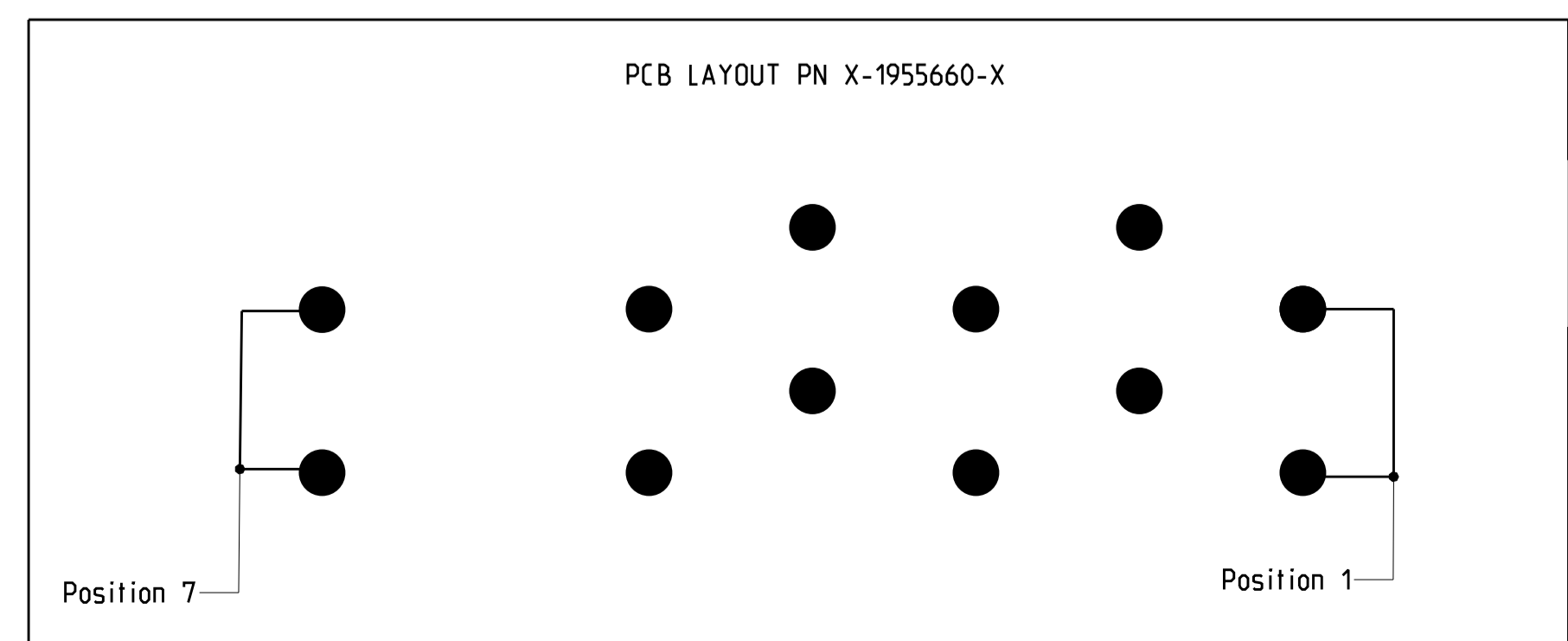
1955660-7



1955660-2



PCB LAYOUT - COMPONENT SIDE
 PCB 1.5±0.14 [1.059±.006] THICK
 SCALE 4:1



Cavity Without Contact		Latch Windows		Keying		Polar.		No. of Pos.		RAST 5 Desig.		Part Number	
6	1/2, 4/5	3c, 4c, 5d	1a, 1b, 2a, 2b, 4a, 4b, 5a, 5b, 7a	7	--			1955660-7					
-	1/2	1c, 2d	1a, 1b, 2a, 2b	2	--	11		1955660-2					

37.3	35.3	7
12.3	10.3	2
B	A	NO. OF POS.

THIS DRAWING IS A CONTROLLED DOCUMENT.		DWN: C. CHETHAN, J. 06 JUN 2012		NAME: ASSEMBLY, DIN, RAST 5 HEADER, RIGHT ANGLE, GWT	
DIMENSIONS: mm [INCHES]		TOLERANCES UNLESS OTHERWISE SPECIFIED:		APVD: KLENNER THOMAS 06 JUN 2012	
0 PLC ±0.251, 0101		1 PLC ±0.251, 0101		PRODUCT SPEC	
2 PLC ±0.251, 0101		3 PLC ±0.251, 0101		108-2183	
4 PLC ±0.251, 0101		5 PLC ±0.251, 0101		APPLICATION SPEC	
MATERIAL: -		FINISH: -		WEIGHT: -	
- 4 10		- 5		SIZE: A1	
Customer Drawing		CAGE CODE: 00779		DRAWING NO: 1955660	
SCALE: 4:1		SHEET: 1 OF 1		REV: A3	