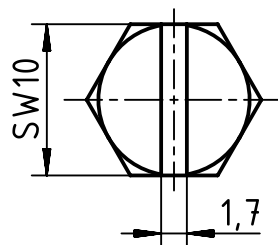
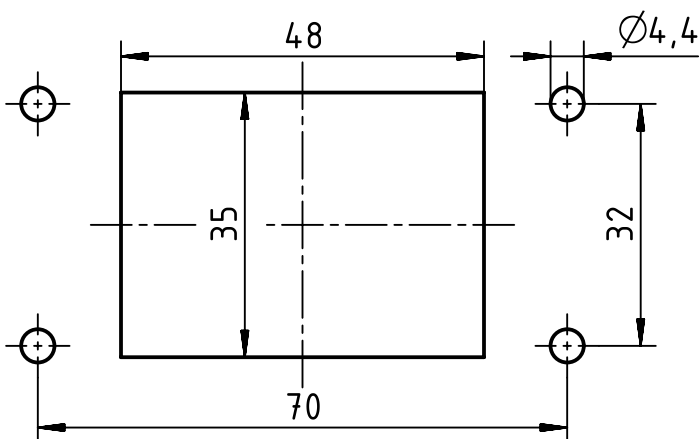
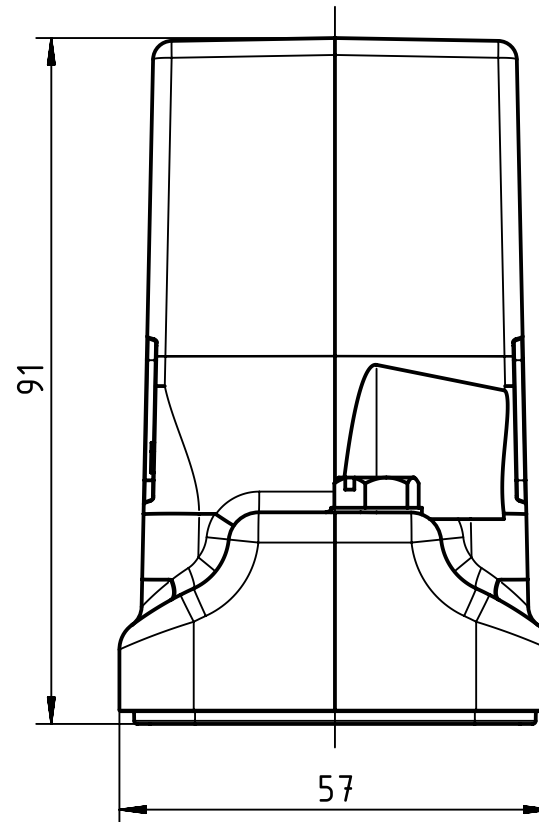
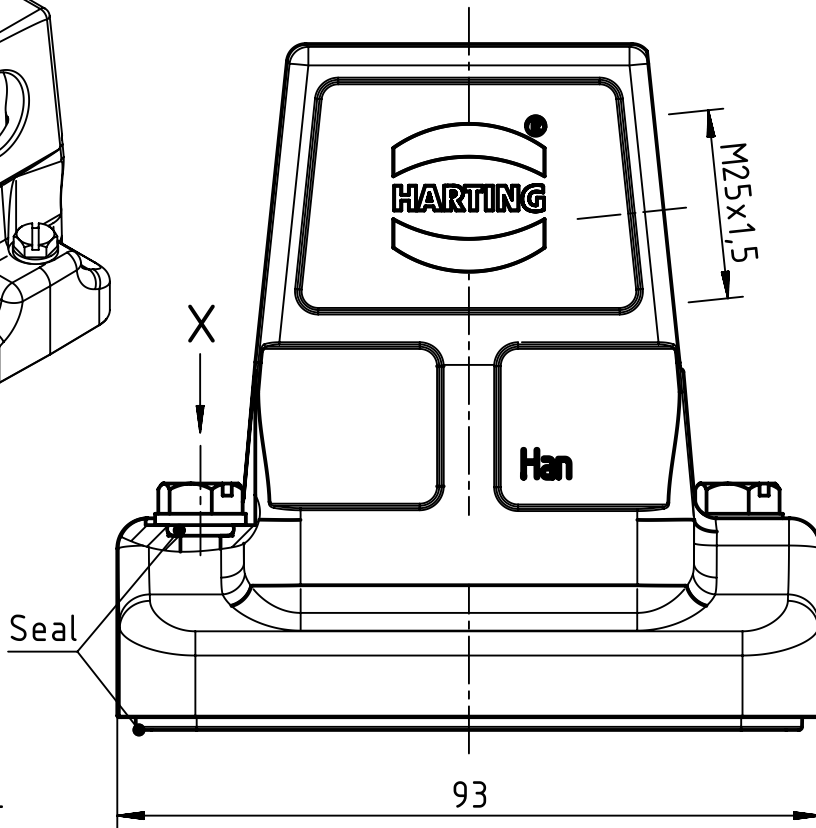


X (2:1)



Panel cut out



	All rights reserved Department EL PD - CN HARTING (Zhuhai) Manufacturing Co., Ltd. 519085 Zhuhai, China	All Dimensions in mm Original Size DIN A4	Scale 1:1	Free size tol.	Ref. Sub.
		Created by LONGL	Inspected by WENE	Standardisation SCHMIDTM	Date 2017-03-20
Title Han 6HP Direct/M-HSE-M25					Doc-Key / ECM-Nr. 100664129/UGD/002/C 500000116980
Type TB				Number 19 39 706 0546	Rev. C Page 1/1