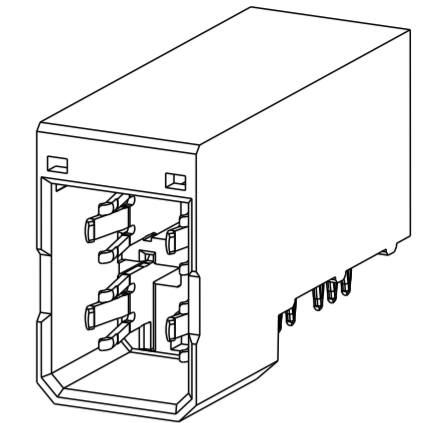
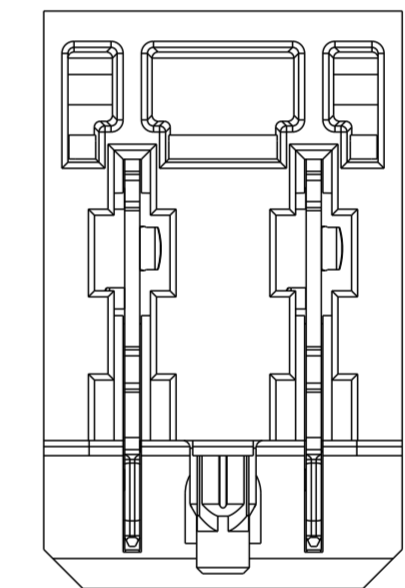
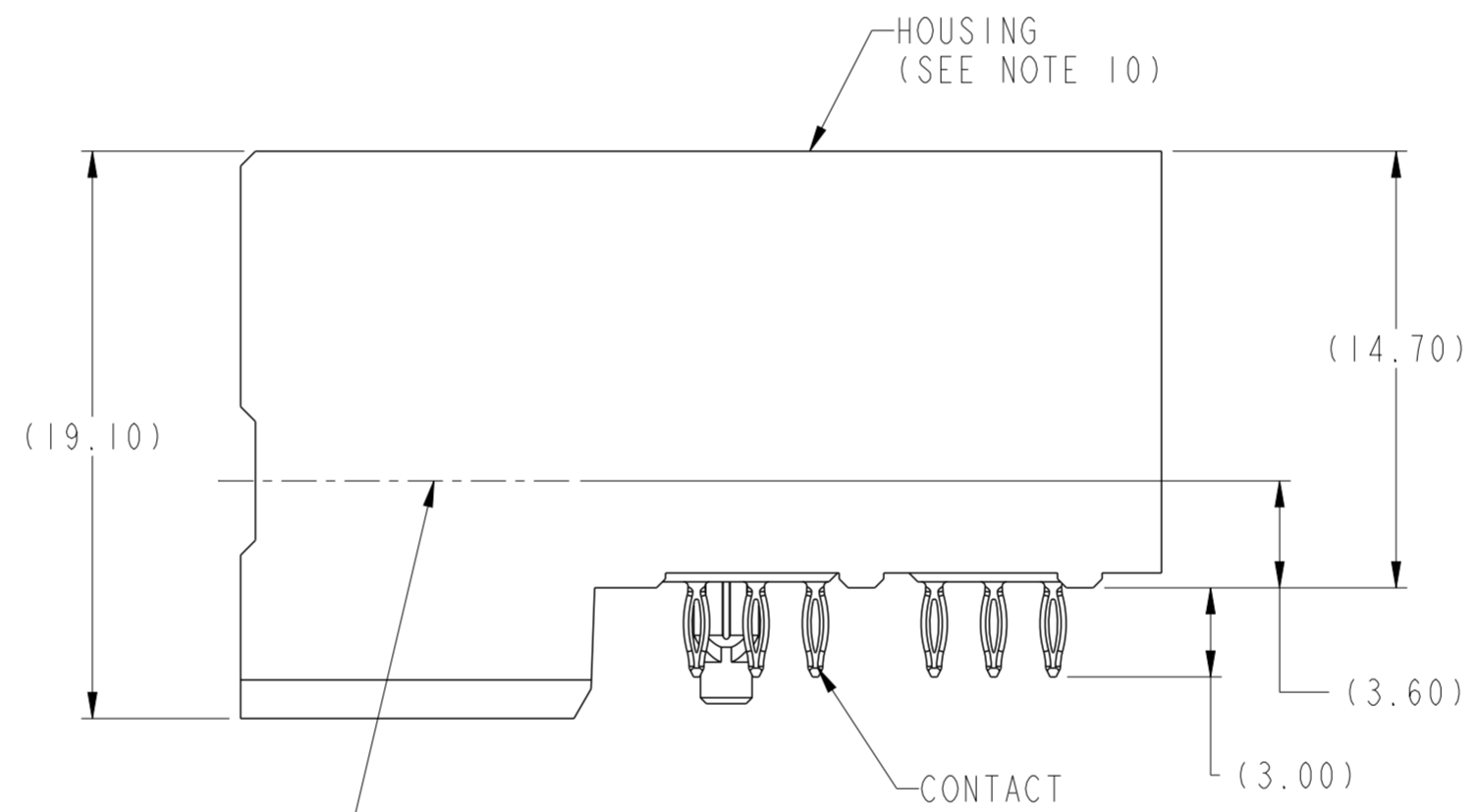
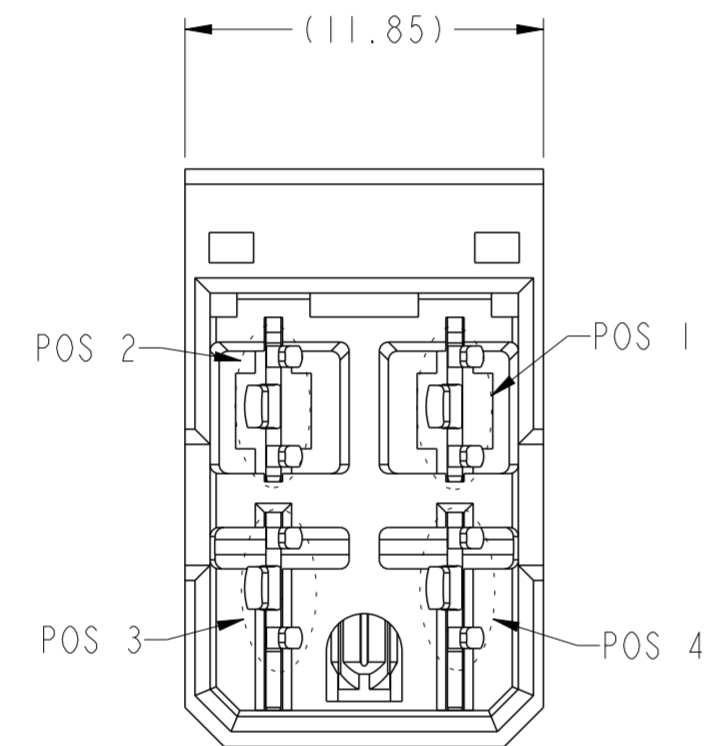
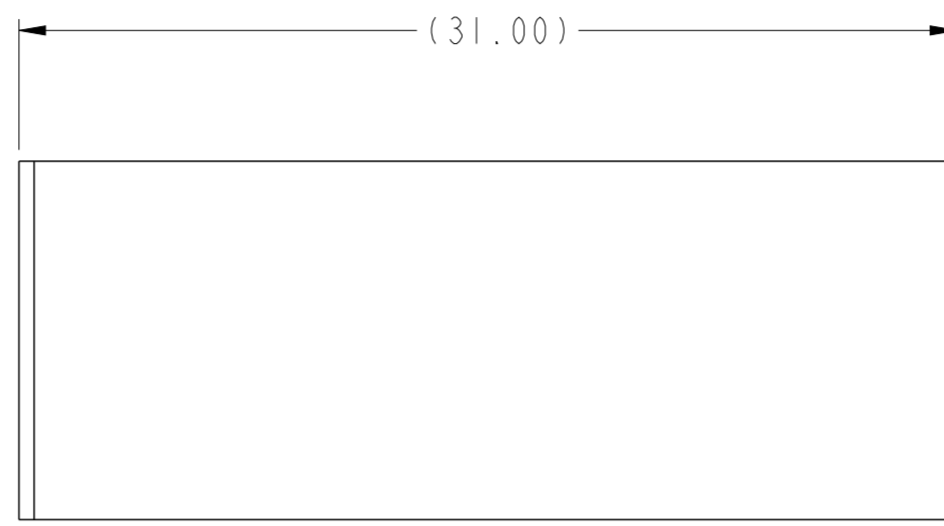


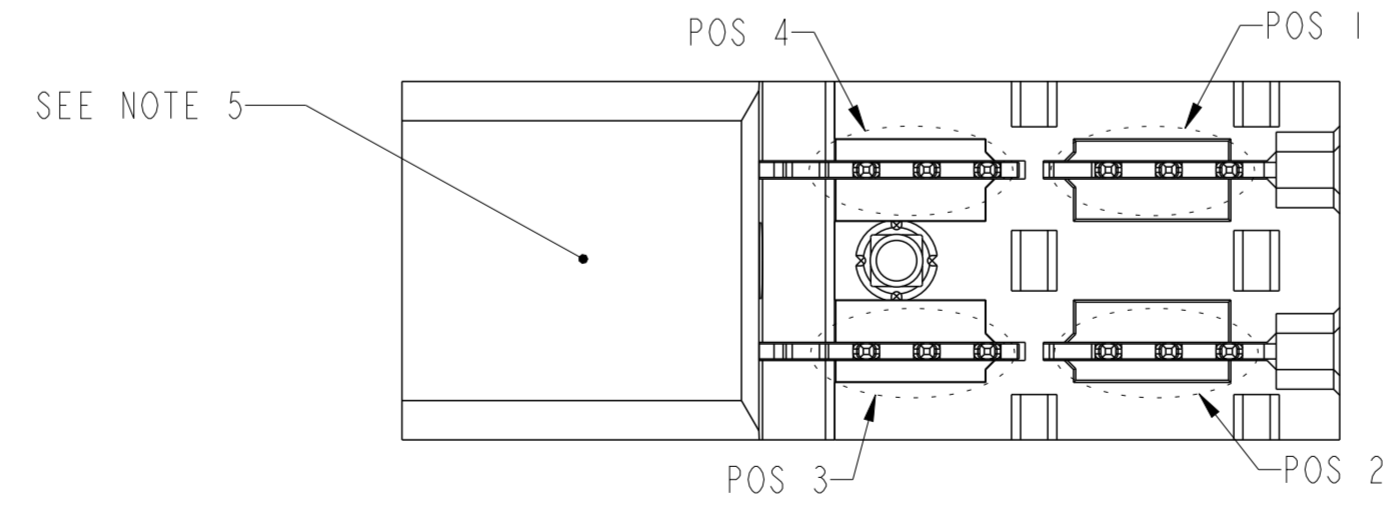
PRODUCT NUMBER (SEE NOTE 2)	CONTACT PLATING		ROHS COMPATIBILITY
	SEPARABLE INTERFACE	PRESS-FIT TAIL	
10124619-001	0.76 um MIN GXT OVER NICKEL	TIN-LEAD ALLOY OVER NICKEL	N/A
10124619-001LF		TIN OVER NICKEL (LEAD FREE)	SEE NOTE 8



SCALE 2:1



☉ OF MATING SHROUD



spec ref	GS-12-220	dr	Lin-Sze Ngwe	2013/03/07	projection	MM	size	A2	scale	4:1									
tolerance std	ASME Y14.5	eng	Jackie Chen	2015/08/12			ecn no	ELX-DG-21647-1	rel level	Released									
TOLERANCES UNLESS OTHERWISE SPECIFIED		chr	-	appr							Pei-Ming Zheng	2015/08/17	product family	2mm High Power					
surface	<table border="1"> <tr> <td>linear</td> <td>0.X</td> <td>±.3</td> </tr> <tr> <td></td> <td>0.XX</td> <td>±.1</td> </tr> <tr> <td></td> <td>0.XXX</td> <td>±.050</td> </tr> <tr> <td>angular</td> <td>0°</td> <td>±2°</td> </tr> </table>	linear	0.X	±.3		0.XX	±.1		0.XXX	±.050	angular	0°	±2°			title R/A HEADER ASSY, 2X2 AirMax Power		dwg no 10124619	rev C
linear	0.X	±.3																	
	0.XX	±.1																	
	0.XXX	±.050																	
angular	0°	±2°																	
www.fci.com		cat. no.		-		Product - Customer Drw		sheet 1 of 2											

PDS: Rev :C

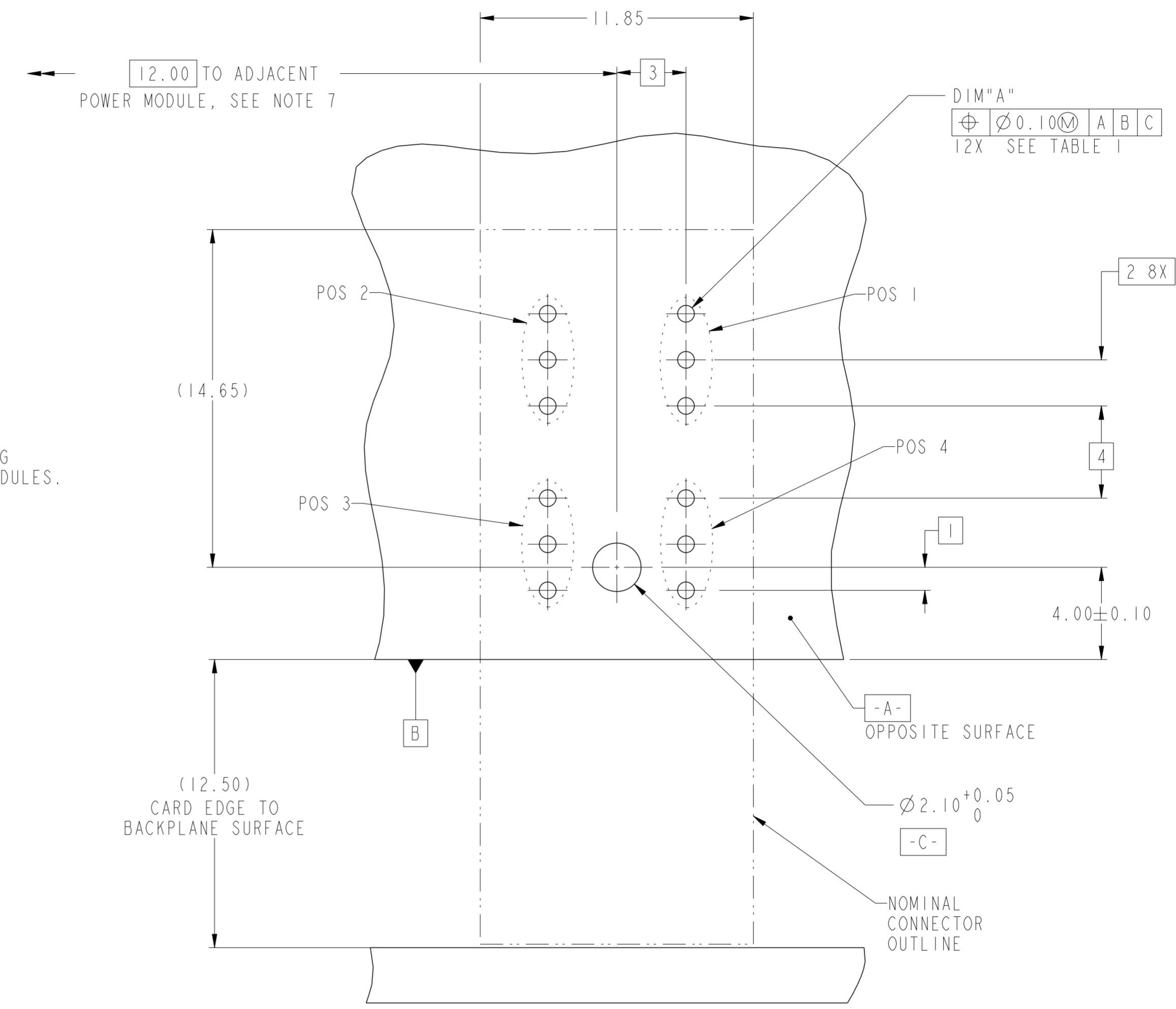
STATUS:Released

Printed: Aug 18, 2015

Copyright FCI. FCI

TOP LAYER DESCRIPTION	TABLE I PLATED THROUGH-HOLE REQUIREMENTS							
	DRILLED HOLE DIAMETER	COPPER THICKNESS	TIN-LEAD THICKNESS	NICKEL THICKNESS	GOLD THICKNESS	TIN THICKNESS	SILVER THICKNESS	FINISHED HOLE DIAMETER (DIM"A")
TIN-LEAD	0.81-0.86 (0.85 DRILL)	0.025 - 0.050	0.005 - 0.015	--	--	--	--	0.65 - 0.80
IMMERSION TIN	0.81-0.86 (0.85 DRILL)	0.025 - 0.050	--	--	--	0.9 - 1.5um	--	0.70 - 0.80
IMMERSION SILVER	0.81-0.86 (0.85 DRILL)	0.025 - 0.050	--	--	--	--	0.15 - 0.65um	0.70 - 0.80
COPPER (SEE NOTE 11)	0.81-0.86 (0.85 DRILL)	0.025 - 0.050	--	--	--	--	--	0.70 - 0.80
GOLD	0.81-0.86 (0.85 DRILL)	0.025 - 0.050	--	0.003 - 0.007	FLASH UP TO 0.0002	--	--	0.69 - 0.80

- NOTES:
- CONNECTOR MATERIALS:
HOUSING: HIGH TEMPERATURE THERMOPLASTIC, BLACK
UL 94V-0 COMPLIANT
CONTACT: HIGH PERFORMANCE COPPER ALLOY
 - "LF" SUFFIX DENOTES "LEAD-FREE"
 - PRODUCT SPECIFICATION: GS-12-220
 - APPLICATION SPECIFICATION: GS-20-023
 - PRODUCT MARKING (PRODUCT NUMBER & LOT CODE) ON HOUSING.
 - MINIMUM NOMINAL PCB THICKNESS: 1.6mm
 - REFER TO CUSTOMER DRAWING 10035911 FOR INFORMATION REGARDING PCB LAYOUT OF POWER AND GUIDE MODULES RELATIVE TO SIGNAL MODULES.
 - PRODUCT MEETS EUROPEAN UNION DIRECTIVES AND OTHER COUNTRY REGULATIONS AS DESCRIBED IN FCI SPECIFICATION GS-22-008.
 - PACKAGING MEETS FCI SPECIFICATION GS-14-920.
 - HOUSING COMPONENT WILL WITHSTAND EXPOSURE TO 260°C PEAK TEMPERATURE FOR 60 SECONDS IN A CONVECTION, INFRA-RED, OR VAPOR PHASE REFLOW OVEN.
 - COPPER PLATING THICKNESS IN CENTER OF VIA-HOLE CAN BE NO MORE THAN 0.003 LESS THAN OTHER AREAS.
 - A $\triangle C$ SYMBOL WILL BE NEXT TO ANY DIMENSION, VIEW, OR NOTE WHICH HAS BEEN MODIFIED WITH THE CURRENT DRAWING REVISION



RECOMMENDED PCB LAYOUT,
COMPONENT SIDE
SEE NOTE 6
SCALE 6:1

spec ref	GS-12-220	dr	Lin-See Ngwe	2013/03/07	projection	MM	size	A2	scale	1:1
tolerance std	ASME Y14.5	eng	Jackie Chen	2015/08/12	chr	-	ecn no	ELX-DG-21647-1	rel level	Released
surface	✓	appr	Pei-Ming Zheng	2015/08/17	product family	-	cat. no.	-	Product - Customer Drw	sheet 2 of 2
linear	0.X ±.3 0.XX ±.1 0.XXX ±.050	angular	0° ±2°			FCI R/A HEADER ASSY, 2X2 AirMax Power	dwg no 10124619	rev C		

Copyright FCI.