

# HDR200 Series

## Humidity and Temperature Transmitter

rev | 71321



### FEATURES

- Dew point: -60C to 100C measuring range, -60C to 40C (factory default) for remote units, -10C to 90C (factory default) for wall units
  - Flexible scaling range for all measurements
  - RH 0-95%RH (non-condensing)
  - Calibration performed down to -60C
  - Operating Temperature: 0 to 200C
  - Pressure Rating: 750PSI
  - Dew point accuracy:
    - +/- 1.0C from +40c to -20C
    - +/- 3.0C <-20C
  - One 4-20mA loop powered output or a RS232 (see configuration table)
- Dimensions of Probe:  
Length: 6.5" (166.1mm)  
O.D.: 0.5" (127mm)



### The HDR200 Series

The HDR200 can be configured by the user to be either a dew point transmitter or a relative humidity transmitter. It is the perfect unit in applications for compressed air, dryers and environmental chambers, among others and now features a 4 -20mA output or a RS232 output. Users can also select the temperature in either degrees C or degrees F. The transmitter is accurate and repeatable.

#### Ordering Configuration:

Models	Configuration	Comments
HD200	Dew point -remote transmitter	4-20mA output only
HR200	RH-remote transmitter	4-20mA output only
HD200-M12	Dew point -remote transmitter	4-20mA output or a RS232 (selectable)
HR200-M12	RH -remote transmitter	4-20mA output or a RS232 (selectable)
HD200-W	Dew point- wall transmitter	4-20mA output only
HR200-W	RH-wall transmitter	4-20mA output only
HD200-W-M12	Dew point-wall transmitter	4-20mA output or a RS232 (selectable)
HR200-W-M12	RH- wall transmitter	4-20mA output or a RS232 (selectable)

# HDR200 Series

## Humidity and Temperature Transmitter

rev | 71321



### Technical Information

Measurement Ranges	Dew Point: -60 °C to +100 °C Relative Humidity: 0-100% Temperature: -25 °C to +200 °C
Display	2x8 LCD Display, Shows Dew point and Temperature or Relative humidity and Temperature (user selectable).
Fitting	½" NPT Included
Resolution	0.1 %
Output	4-20mA
Enclosure Dimensions	<ul style="list-style-type: none"><li>3.5" L X 2.5" W (Display dimension)</li></ul>
Enclosure Mounting	<ul style="list-style-type: none"><li>3.1" (Display mounting centers)</li></ul>
Cable Length	1M (For custom lengths contact factory)
Supply Voltage	24VDC (typ) – 12-28VDC
Analog Output scaled range Dew Point (4-20mA)	-60 °C to +40 °C
Analog Output scaled range Relative Humidity (4-20mA)	0 to 100% RH
Operating Temperature	-25 °C to 200 °C
Repeatability	0.5% RH
Electrical Connection	Micro-Con-X Connector 2 pin (included)
Mating Electrical Connection	Micro-Con-X 2 pin connector (included)

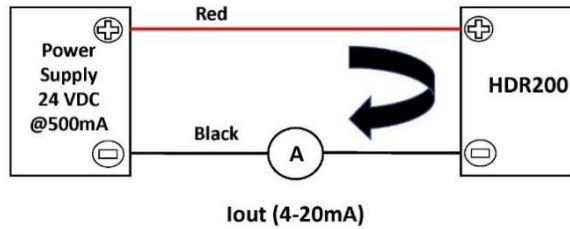
# HDR200 Series

## Humidity and Temperature Transmitter

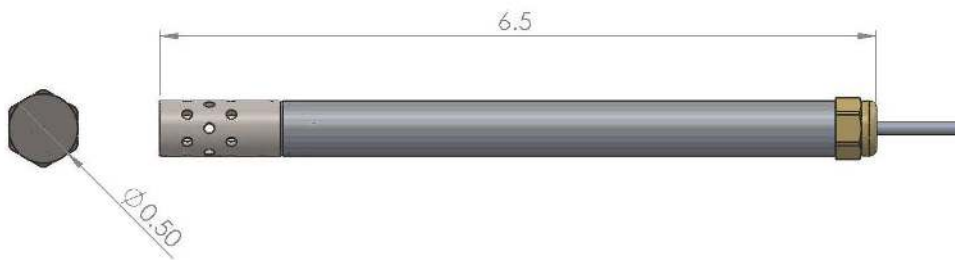
rev | 71321



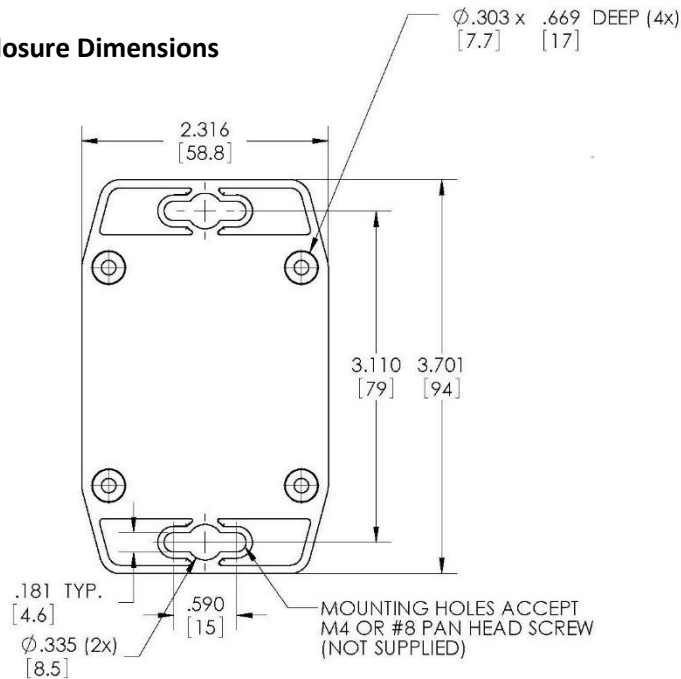
### Wiring Diagram-HDR200



### Probe Dimensions



### Enclosure Dimensions



# HDR200 Series

## Humidity and Temperature Transmitter

rev I 71321



### Other Configurations



HDR200-W



HDR200-M12