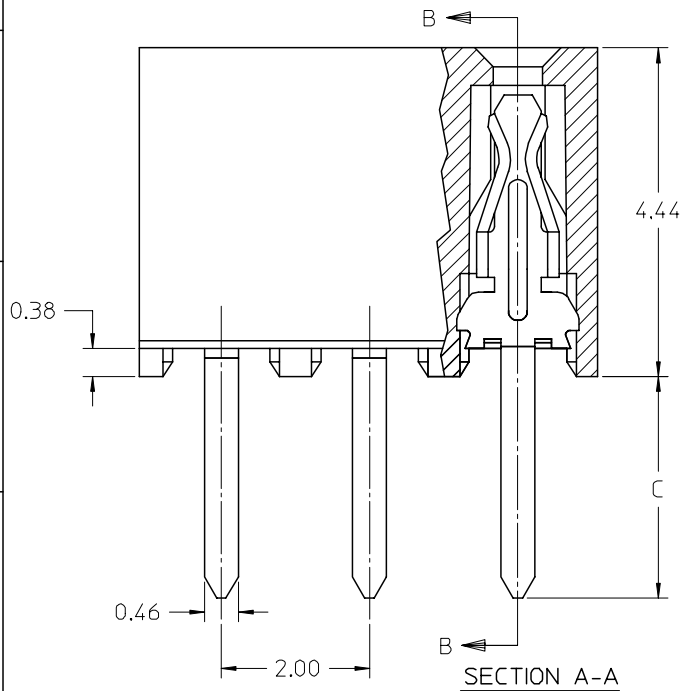


- NOTES:
- 1) HOUSING MATERIAL: GLASS FILLED HIGH TEMP THERMOPLASTIC, COLOR: BLACK
  - 2) TERMINAL MATERIAL: PHOSPHOR BRONZE
  - 3) SEE SHT 2 & 3 FOR CKT SIZE, PART NUMBERS AND OVERALL DIMENSIONS, SEE SHT 4 FOR VOIDS.
  - 4) FOR ILLUSTRATION, 6 CKT ASSY SHOWN.
  - 5) REFER TO PRODUCT SPEC PS-79107 PLATING OPTION 3 NOT COVERED BY PS-79107.
  - 6) PACKAGING PER PK-70873-0180
  - 7) CKTS NUMBERED FROM LEFT TO RIGHT WHEN PART IS VIEWED FROM TOP WITH RECESS ON THE RIGHT AS SHOWN.

PLATING OPTION:

- |   |  |
|---|--|
| 1) - 30u*/0.76um MIN GOLD PLATE IN SELECTED AREA<br>75u*/1.90um MIN TIN/LEAD PLATE IN SELECTED AREA<br>BOTH OVER 50u*/1.25um MIN NICKEL OVERALL | 4) - 30u*/0.76um MIN GOLD PLATE IN SELECTED AREA<br>75u*/1.90um MIN TIN PLATE IN SELECTED AREA<br>BOTH OVER 50u*/1.25um MIN NICKEL OVERALL |
| 2) - 15u*/0.38um MIN GOLD PLATE IN SELECTED AREA<br>75u*/1.90um MIN TIN/LEAD PLATE IN SELECTED AREA<br>BOTH OVER 50u*/1.25um MIN NICKEL OVERALL | 5) - 15u*/0.38um MIN GOLD PLATE IN SELECTED AREA<br>75u*/1.90um MIN TIN PLATE IN SELECTED AREA<br>BOTH OVER 50u*/1.25um MIN NICKEL OVERALL |
| 3) - 2u*/0.05um MIN GOLD PLATE IN SELECTED AREA<br>40u*/1.02um MIN TIN/LEAD PLATE IN SELECTED AREA<br>BOTH OVER 40u*/1.02um MIN NICKEL OVERALL  | 6) - 2u*/0.05um MIN GOLD PLATE IN SELECTED AREA<br>40u*/1.02um MIN TIN PLATE IN SELECTED AREA<br>BOTH OVER 40u*/1.02um MIN NICKEL OVERALL  |



|   |                                |  |  |                            |                    |   |                        |                        |  |
|---|--------------------------------|--|--|----------------------------|--------------------|---|------------------------|------------------------|--|
| AMEND DIMENSION<br>EC NO: S2005-0347<br>2004/10/26<br>DRAWN:SEE<br>2004/10/26<br>CHKD:PTLIM<br>2004/11/04<br>APPR:SKTOH | QUALITY SYMBOLS<br>▽=0<br>▽C=0 | GENERAL TOLERANCES (UNLESS SPECIFIED)                      |  | DIMENSION STYLE<br>MM ONLY |                    | SCALE<br>NTS  | DESIGN UNITS<br>METRIC | THIRD ANGLE PROJECTION |  |
|   |                                |  |  | DRAWN BY<br>AAB            | DATE<br>1989/05/15 | TITLE<br>SALES DRAWING<br>2MM DUAL ROW<br>VERTICAL RECEPTACLE T/H |                        |                        |  |
|   |                                |  |  | CHECKED BY<br>MJM          | DATE<br>1989/05/15 | MOLEX INCORPORATED  |                        |                        |  |
|   |                                |  |  | APPROVED BY<br>WAZ         | DATE<br>1989/05/15 | DOCUMENT NO.<br>SDA-79107-****                                    |                        |                        |  |
|   |                                | DRAFT WHERE APPLICABLE<br>MUST REMAIN<br>WITHIN DIMENSIONS |  | MATERIAL NO.<br>SEE TABLE  |                    | SHEET NO.<br>1 OF 4   |                        |                        |  |

TIN/LEAD OPTION

P.C.TAIL DIMENSION 'C' = 3.00

P.C.TAIL DIMENSION 'C' = 1.91

| CKT SIZE | DIM 'A' | DIM 'B' | P.C.TAIL DIMENSION 'C' = 3.00 |                  |                  | P.C.TAIL DIMENSION 'C' = 1.91 |                  |                  |
|----------|---------|---------|-------------------------------|------------------|------------------|-------------------------------|------------------|------------------|
|          |         |         | PLATING OPTION 2              | PLATING OPTION 1 | PLATING OPTION 3 | PLATING OPTION 2              | PLATING OPTION 1 | PLATING OPTION 3 |
|          |         |         | ITEM NO.                      | ITEM NO.         | ITEM NO.         | ITEM NO.                      | ITEM NO.         | ITEM NO.         |
| 04       | (2.00)  | (4.19)  | 79107-0001                    | 79107-0051       | X 79107-0126     | 79107-0201                    | 79107-0251       | X 79107-0326     |
| 06       | (4.00)  | (6.19)  | 79107-0002                    | 79107-0052       | X 79107-0127     | 79107-0202                    | 79107-0252       | X 79107-0327     |
| 08       | (6.00)  | (8.19)  | 79107-0003                    | 79107-0053       | X 79107-0128     | 79107-0203                    | 79107-0253       | X 79107-0328     |
| 10       | (8.00)  | (10.19) | 79107-0004                    | 79107-0054       | X 79107-0129     | 79107-0204                    | 79107-0254       | X 79107-0329     |
| 12       | (10.00) | (12.19) | 79107-0005                    | 79107-0055       | 79107-0130       | 79107-0205                    | 79107-0255       | 79107-0330       |
| 14       | (12.00) | (14.19) | 79107-0006                    | 79107-0056       | X 79107-0131     | 79107-0206                    | 79107-0256       | X 79107-0331     |
| 16       | (14.00) | (16.19) | 79107-0007                    | 79107-0057       | X 79107-0132     | 79107-0207                    | 79107-0257       | X 79107-0332     |
| 18       | (16.00) | (18.19) | 79107-0008                    | 79107-0058       | X 79107-0133     | 79107-0208                    | 79107-0258       | X 79107-0333     |
| 20       | (18.00) | (20.19) | 79107-0009                    | 79107-0059       | X 79107-0134     | 79107-0209                    | 79107-0259       | X 79107-0334     |
| 22       | (20.00) | (22.19) | 79107-0010                    | 79107-0060       | X 79107-0135     | 79107-0210                    | 79107-0260       | X 79107-0335     |
| 24       | (22.00) | (24.19) | 79107-0011                    | 79107-0061       | X 79107-0136     | 79107-0211                    | 79107-0261       | X 79107-0336     |
| 26       | (24.00) | (26.19) | 79107-0012                    | 79107-0062       | X 79107-0137     | 79107-0212                    | 79107-0262       | X 79107-0337     |
| 28       | (26.00) | (28.19) | 79107-0013                    | 79107-0063       | X 79107-0138     | 79107-0213                    | 79107-0263       | X 79107-0338     |
| 30       | (28.00) | (30.19) | 79107-0014                    | 79107-0064       | X 79107-0139     | 79107-0214                    | 79107-0264       | X 79107-0339     |
| 32       | (30.00) | (32.19) | 79107-0015                    | 79107-0065       | X 79107-0140     | 79107-0215                    | 79107-0265       | X 79107-0340     |
| 34       | (32.00) | (34.19) | 79107-0016                    | 79107-0066       | X 79107-0141     | 79107-0216                    | 79107-0266       | X 79107-0341     |
| 36       | (34.00) | (36.19) | 79107-0017                    | 79107-0067       | X 79107-0142     | 79107-0217                    | 79107-0267       | X 79107-0342     |
| 38       | (36.00) | (38.19) | 79107-0018                    | 79107-0068       | X 79107-0143     | 79107-0218                    | 79107-0268       | X 79107-0343     |
| 40       | (38.00) | (40.19) | 79107-0019                    | 79107-0069       | X 79107-0144     | 79107-0219                    | 79107-0269       | X 79107-0344     |
| 42       | (40.00) | (42.19) | 79107-0020                    | 79107-0070       | X 79107-0145     | 79107-0220                    | 79107-0270       | X 79107-0345     |
| 44       | (42.00) | (44.19) | 79107-0021                    | 79107-0071       | X 79107-0146     | 79107-0221                    | 79107-0271       | X 79107-0346     |
| 46       | (44.00) | (46.19) | 79107-0022                    | 79107-0072       | X 79107-0147     | 79107-0222                    | 79107-0272       | X 79107-0347     |
| 48       | (46.00) | (48.19) | 79107-0023                    | 79107-0073       | X 79107-0148     | 79107-0223                    | 79107-0273       | X 79107-0348     |
| 50       | (48.00) | (50.19) | 79107-0024                    | 79107-0074       | X 79107-0149     | 79107-0224                    | 79107-0274       | X 79107-0349     |

\*X\* - DENOTES THE ITEM IS NOT AVAILABLE CURRENTLY.

|  |                               |                                       |              |                            |   |            |              |                        |        |
|--|-------------------------------|---------------------------------------|--------------|----------------------------|---|------------|--------------|------------------------|--------|
| AMEND DIMENSION<br>EC NO: S2005-0347<br>DRAWN:SEE<br>CHKD:PTLM<br>APPR:SKTOH<br>2004/10/26<br>2004/10/26<br>2004/11/04 | QUALITY SYMBOLS<br>▽=0<br>▽=0 | GENERAL TOLERANCES (UNLESS SPECIFIED) |              | DIMENSION STYLE<br>MM ONLY |   | SCALE      | DESIGN UNITS | THIRD ANGLE PROJECTION |        |
|  |                               |                                       | mm           | INCH                       | DRAWN BY  | DATE       | NTS          |                        | METRIC |
|  |                               | 4 PLACES                              | ± ---        | ± ---                      | AAB   | 1989/05/15 |              |                        |        |
|  |                               | 3 PLACES                              | ± .010       | ± ---                      | CHECKED BY  | DATE       |              |                        |        |
|  |                               | 2 PLACES                              | ± .015       | ± 0.25                     | MJM   | 1989/05/15 |              |                        |        |
| 1 PLACE  | ± ---                         | ± 0.38                                | APPROVED BY  | DATE                       |   |            |              |                        |        |
|  |                               | ANGULAR ±1/2°                         | WAZ          | 1989/05/15                 |   |            |              |                        |        |
|  |                               |                                       | MATERIAL NO. | DOCUMENT NO.               | TITLE   |            |              |                        |        |
|  |                               |                                       |              |                            | SALES DRAWING<br>2MM DUAL ROW<br>VERTICAL RECEPTACLE T/H  |            |              |                        |        |
|  |                               |                                       |              |                            | MOLEX INCORPORATED  |            |              |                        |        |
|  |                               |                                       |              |                            | SHEET NO. 2 OF 4  |            |              |                        |        |
|  |                               |                                       |              |                            | SDA-79107-****  |            |              |                        |        |
|  |                               |                                       |              |                            | THIS DRAWING CONTAINS INFORMATION THAT IS PROPRIETARY TO MOLEX INCORPORATED AND SHOULD NOT BE USED WITHOUT WRITTEN PERMISSION |            |              |                        |        |

TIN OPTION

| CKT SIZE | DIM 'A' | DIM 'B' | P.C.TAIL DIMENSION 'C' = 3.00 |            |                  |            |                  |            | P.C.TAIL DIMENSION 'C' = 1.91 |            |                  |  |                  |  |
|----------|---------|---------|-------------------------------|------------|------------------|------------|------------------|------------|-------------------------------|------------|------------------|--|------------------|--|
|          |         |         | PLATING OPTION 5              |            | PLATING OPTION 4 |            | PLATING OPTION 6 |            | PLATING OPTION 5              |            | PLATING OPTION 4 |  | PLATING OPTION 6 |  |
|          |         |         | ITEM NO.                      |            | ITEM NO.         |            | ITEM NO.         |            | ITEM NO.                      |            | ITEM NO.         |  | ITEM NO.         |  |
| 04       | (2.00)  | (4.19)  | 79107-7001                    | 79107-7051 | X                | 79107-7126 | 79107-7201       | 79107-7251 | X                             | 79107-7326 |                  |  |                  |  |
| 06       | (4.00)  | (6.19)  | 79107-7002                    | 79107-7052 | X                | 79107-7127 | 79107-7202       | 79107-7252 | X                             | 79107-7327 |                  |  |                  |  |
| 08       | (6.00)  | (8.19)  | 79107-7003                    | 79107-7053 | X                | 79107-7128 | 79107-7203       | 79107-7253 | X                             | 79107-7328 |                  |  |                  |  |
| 10       | (8.00)  | (10.19) | 79107-7004                    | 79107-7054 | X                | 79107-7129 | 79107-7204       | 79107-7254 | X                             | 79107-7329 |                  |  |                  |  |
| 12       | (10.00) | (12.19) | 79107-7005                    | 79107-7055 |                  | 79107-7130 | 79107-7205       | 79107-7255 |                               | 79107-7330 |                  |  |                  |  |
| 14       | (12.00) | (14.19) | 79107-7006                    | 79107-7056 | X                | 79107-7131 | 79107-7206       | 79107-7256 | X                             | 79107-7331 |                  |  |                  |  |
| 16       | (14.00) | (16.19) | 79107-7007                    | 79107-7057 | X                | 79107-7132 | 79107-7207       | 79107-7257 | X                             | 79107-7332 |                  |  |                  |  |
| 18       | (16.00) | (18.19) | 79107-7008                    | 79107-7058 | X                | 79107-7133 | 79107-7208       | 79107-7258 | X                             | 79107-7333 |                  |  |                  |  |
| 20       | (18.00) | (20.19) | 79107-7009                    | 79107-7059 | X                | 79107-7134 | 79107-7209       | 79107-7259 | X                             | 79107-7334 |                  |  |                  |  |
| 22       | (20.00) | (22.19) | 79107-7010                    | 79107-7060 | X                | 79107-7135 | 79107-7210       | 79107-7260 | X                             | 79107-7335 |                  |  |                  |  |
| 24       | (22.00) | (24.19) | 79107-7011                    | 79107-7061 | X                | 79107-7136 | 79107-7211       | 79107-7261 | X                             | 79107-7336 |                  |  |                  |  |
| 26       | (24.00) | (26.19) | 79107-7012                    | 79107-7062 | X                | 79107-7137 | 79107-7212       | 79107-7262 | X                             | 79107-7337 |                  |  |                  |  |
| 28       | (26.00) | (28.19) | 79107-7013                    | 79107-7063 | X                | 79107-7138 | 79107-7213       | 79107-7263 | X                             | 79107-7338 |                  |  |                  |  |
| 30       | (28.00) | (30.19) | 79107-7014                    | 79107-7064 | X                | 79107-7139 | 79107-7214       | 79107-7264 | X                             | 79107-7339 |                  |  |                  |  |
| 32       | (30.00) | (32.19) | 79107-7015                    | 79107-7065 | X                | 79107-7140 | 79107-7215       | 79107-7265 | X                             | 79107-7340 |                  |  |                  |  |
| 34       | (32.00) | (34.19) | 79107-7016                    | 79107-7066 | X                | 79107-7141 | 79107-7216       | 79107-7266 | X                             | 79107-7341 |                  |  |                  |  |
| 36       | (34.00) | (36.19) | 79107-7017                    | 79107-7067 | X                | 79107-7142 | 79107-7217       | 79107-7267 | X                             | 79107-7342 |                  |  |                  |  |
| 38       | (36.00) | (38.19) | 79107-7018                    | 79107-7068 | X                | 79107-7143 | 79107-7218       | 79107-7268 | X                             | 79107-7343 |                  |  |                  |  |
| 40       | (38.00) | (40.19) | 79107-7019                    | 79107-7069 | X                | 79107-7144 | 79107-7219       | 79107-7269 | X                             | 79107-7344 |                  |  |                  |  |
| 42       | (40.00) | (42.19) | 79107-7020                    | 79107-7070 | X                | 79107-7145 | 79107-7220       | 79107-7270 | X                             | 79107-7345 |                  |  |                  |  |
| 44       | (42.00) | (44.19) | 79107-7021                    | 79107-7071 | X                | 79107-7146 | 79107-7221       | 79107-7271 | X                             | 79107-7346 |                  |  |                  |  |
| 46       | (44.00) | (46.19) | 79107-7022                    | 79107-7072 | X                | 79107-7147 | 79107-7222       | 79107-7272 | X                             | 79107-7347 |                  |  |                  |  |
| 48       | (46.00) | (48.19) | 79107-7023                    | 79107-7073 | X                | 79107-7148 | 79107-7223       | 79107-7273 | X                             | 79107-7348 |                  |  |                  |  |
| 50       | (48.00) | (50.19) | 79107-7024                    | 79107-7074 | X                | 79107-7149 | 79107-7224       | 79107-7274 | X                             | 79107-7349 |                  |  |                  |  |

\*X\* - DENOTES THE ITEM IS NOT AVAILABLE CURRENTLY.

|   |                               |                                       |        |  |            |                |              |  |  |   |  |
|---|-------------------------------|---------------------------------------|--------|--|------------|----------------|--------------|--|--|---|--|
| AVEND DIMENSION<br>EC NO: S2005-0347<br>DRAWN:SEE 2004/10/26<br>CHKD:PTLM 2004/10/26<br>APPR:SKTOH 2004/11/04 | QUALITY SYMBOLS<br>▽=0<br>▽=0 | GENERAL TOLERANCES (UNLESS SPECIFIED) |        | DIMENSION STYLE<br>MM ONLY                           |            | SCALE          | DESIGN UNITS | THIRD ANGLE PROJECTION                                   |  |   |  |
|   |                               |                                       |        | mm   | INCH       | NTS            | METRIC       |  |  |   |  |
|   |                               | 4 PLACES                              | ± ---  | ± ---  | DRAWN BY   |                | DATE         | TITLE  |  |   |  |
|   |                               | 3 PLACES                              | ± .010 | ± ---  | AAB        | 1989/05/15     |              | SALES DRAWING<br>2MM DUAL ROW<br>VERTICAL RECEPTACLE T/H |  |   |  |
|   |                               | 2 PLACES                              | ± .015 | ± 0.25   | CHECKED BY |                | DATE         | MOLEX INCORPORATED                                       |  |   |  |
| 1 PLACE   | ± ---                         | ± 0.38                                | MJM    |  | 1989/05/15 |                |              |  |  |   |  |
|   |                               | ANGULAR ±1/2°                         |        | APPROVED BY  |            | DATE           |              |  |  |   |  |
|   |                               |                                       |        | WAZ  |            | 1989/05/15     |              |  |  |   |  |
|   |                               |                                       |        | MATERIAL NO.   |            | DOCUMENT NO.   |              | SHEET NO.  |  |   |  |
|   |                               |                                       |        | SEE TABLE  |            | SDA-79107-**** |              | 3 OF 4   |  |   |  |
|   |                               |                                       |        | DRAFT WHERE APPLICABLE MUST REMAIN WITHIN DIMENSIONS |            |                |              |  |  | THIS DRAWING CONTAINS INFORMATION THAT IS PROPRIETARY TO MOLEX INCORPORATED AND SHOULD NOT BE USED WITHOUT WRITTEN PERMISSION |  |

MOLDED VOID OPTION  
ASSEMBLIES WITHOUT PEGS

| CKT. SIZE | ASSEMBLY   |            | VOID LOCATION(S)<br>SEE SHEET 1 FOR CONVENTION |   | PLATING OPTION | DIM. "A" | DIM. "B" | P.C. TAIL DIM. "C" | PLATING OPTION |
|-----------|------------|------------|--|---|----------------|----------|----------|--------------------|----------------|
|           | ITEM NO.   | ROW        | CKT. NO.(s)                                    |   |                |          |          |                    |                |
| 24        | 79107-5001 | ROW B      | 6  | 2 | (22.00)        | (24.19)  | (3.00)   | TIN/LEAD           |                |
| 10        |            | ROW A      | 5  |   |                |          |          |                    |                |
| 26        | 79107-5003 | ROW B      | 5  | 2 | (24.00)        | (26.19)  | (3.00)   |                    |                |
| 24        |            | ROW B      | 6  |   |                |          |          |                    | 5              |
| 10        | 79107-5102 | ROW A      | 5  | 5 | (8.00)         | (10.19)  | (3.00)   |                    |                |
| 26        |            | 79107-5103 | ROW B  |   |                |          |          |                    | 5              |

"X" - DENOTES THE ITEM IS NOT AVAILABLE CURRENTLY.

NOTES

1. TERMINALS WILL BE PRESENT IN VOIDED LOCATIONS HOWEVER, PIN WINDOWS WILL BE CLOSED.
2. VOIDS CANNOT BE PRESENT IN BOTH ROWS ON A CONNECTOR.

|  |  |                               |                                       |  |                            |                    |   |   |                        |  |  |  |
|--|--|-------------------------------|---------------------------------------|--|----------------------------|--------------------|---|---|------------------------|--|--|--|
| AMEND DIMENSION<br>EC NO: S2005-0347<br>DRAWN: SEE<br>CHKD: PTLIM<br>APPR: SKTOH | 2004/10/26<br>2004/10/26<br>2004/11/04 | QUALITY SYMBOLS<br>▽=0<br>▽=0 | GENERAL TOLERANCES (UNLESS SPECIFIED) |  | DIMENSION STYLE<br>MM ONLY |                    | SCALE<br>NTS  | DESIGN UNITS<br>METRIC  | THIRD ANGLE PROJECTION |  |  |  |
|  |  |                               | mm                                    | INCH   | DRAWN BY<br>AAB            | DATE<br>1989/05/15 | TITLE<br>SALES DRAWING<br>2MM DUAL ROW<br>VERTICAL RECEPTACLE T/H<br>MOLEX INCORPORATED |   |                        |  |  |  |
|  |  |                               | 4 PLACES ± ---                        | ± ---  | CHECKED BY<br>MJM          | DATE<br>1989/05/15 |   |   |                        |  |  |  |
|  |  |                               | 3 PLACES ± .010                       | ± ---  | APPROVED BY<br>WAZ         | DATE<br>1989/05/15 | DOCUMENT NO.<br>SDA-79107-****  |   | SHEET NO.<br>4 OF 4    |  |  |  |
|  |  | 2 PLACES ± .015               | ± 0.25                                | DRAFT WHERE APPLICABLE MUST REMAIN WITHIN DIMENSIONS |                            | SIZE<br>A3         |   | THIS DRAWING CONTAINS INFORMATION THAT IS PROPRIETARY TO MOLEX INCORPORATED AND SHOULD NOT BE USED WITHOUT WRITTEN PERMISSION |                        |  |  |  |