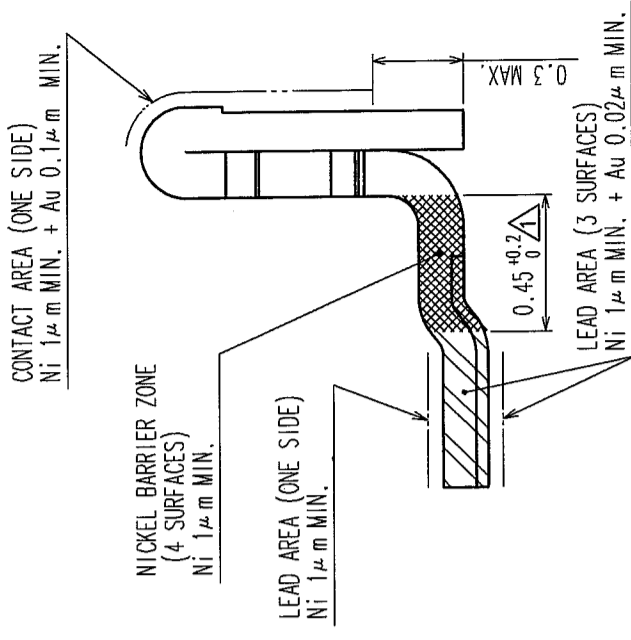
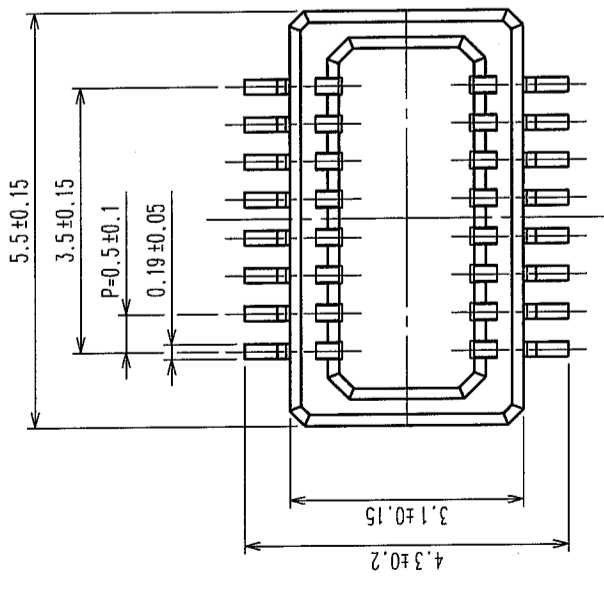


COUNT	DESCRIPTION OF REVISIONS	BY	CHKD	DATE	COUNT	DESCRIPTION OF REVISIONS	BY	CHKD	DATE
2	RE-H-06269	T.Y.	T.S	04.5.21					

Fig.1 : RECOMMENDED PATTERN Fig.2 : PLATING SPECIFICATION (40:1)



OTHERS : Ni 1μm MIN. + Au FLASH

Fig.3 : A-A CROSS SECTION VIEW

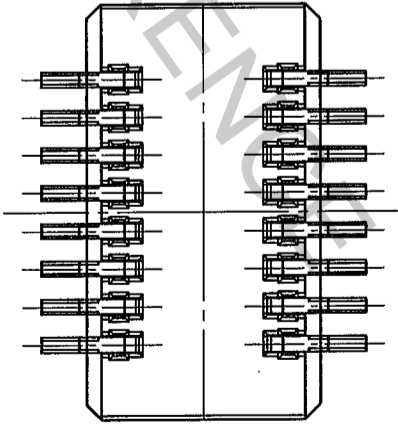
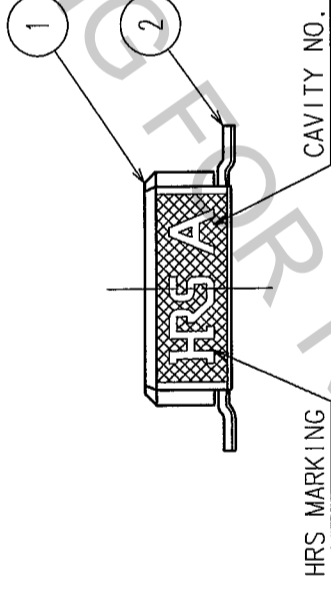
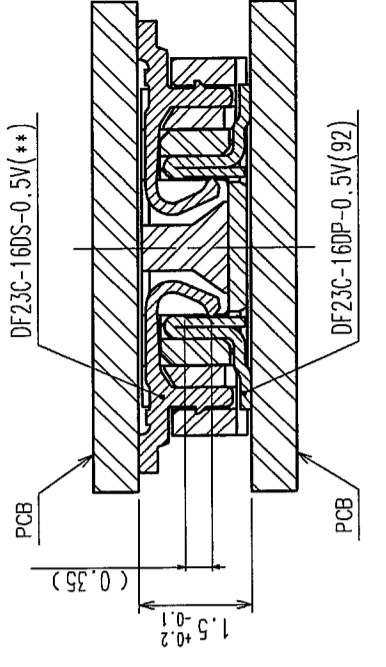


Fig.4 : MATING VIEW



NOTES 1 LEAD CO-PLANARITY SHALL BE 0.1mm MAX.

2 REFER TO FIG.2

3 WHEN A PART MARKED WITH [Hatched Pattern] HAS A PATTERN BUT NO RESIST ON IT, TAKE CARE TO PREVENT THE CONNECTOR FROM TOUCHING IT.

2	PHOSPHOR BRONZE	[2]	4	POLYESTER	CLEAR
1	LCP	BLACK, UL94V-0	3	PS	CLEAR
NO.	MATERIAL	FINISH, REMARKS	NO.	MATERIAL	FINISH, REMARKS
CODE NO. (OLD)		DRAWN	DESIGNED	CHECKED	APPROVED
		A.Hirota	T.Yamamoto	K.Akiyama	K.Akiyama
		'03.06.12	'03.06.12	'03.06.12	'03.06.12
DRAWING NO.		PART NO.		RELEASED	
EDC3-164009-11		DF23C-16DP-0.5V(92)			
SCALE		CODE NO.			
10 : 1		CL688-0807-4-92			
UNITS		mm			
		HIROSE ELECTRIC CO., LTD			

TO	

